

**SMA Male to BNC Female Bulkhead Cable**  
**RG-316 Coax**

**Electrical Specifications**

Description	Min	Typ	Max	Units
Frequency Range	DC		3	GHz
Velocity of Propagation		70		%
Capacitance		32 [104.99]		pF/ft [pF/m]

**Mechanical Specifications**

**Cable Assembly**

Diameter	0.689 in [17.5 mm]
Weight	0.04542 lbs [20.6 g]

**Cable**

Cable Type	RG-316
Impedance	50 Ohms
Inner Conductor Type	Solid
Inner Conductor Material and Plating	Copper, Silver
Dielectric Type	PTFE
Number of Shields	1
Shield Layer 1	Silver Plated Copper Tape
Shield Layer 2	Silver Plated Copper Braid
Jacket Material	FEP, Black
Jacket Diameter	0.098 in [2.49 mm]

**Connectors**

Description	Connector 1	Connector 2
Type	SMA Male	BNC Female
Polarity	Standard	Standard
Mount Method		Bulkhead
Impedance	50 Ohms	50 Ohms
Contact Material & Plating	Brass, Gold	Brass, Gold
Contact Plating Spec.	50µ in. minimum	30µ in. minimum
Dielectric Type	Teflon	PTFE
Hex Size	5/16 inch	
Torque	4 in-lbs [0.45 Nm]	
Body Material & Plating	Brass, Nickel	Brass, Nickel
Body Plating Spec.	100µ in. minimum	100µ in. minimum

**Environmental Specifications**

**Temperature**

Operating Range -65 to +165 deg C

**Compliance Certifications** (see [product page](#) for current document)

**Plotted and Other Data**

Notes:

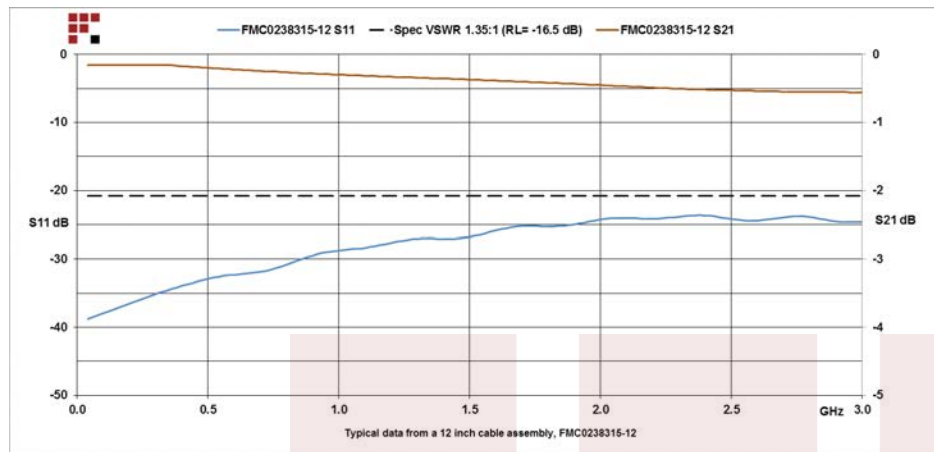


**Configuration:**

- SMA Male
- BNC Female Bulkhead
- RG-316

Fairview Microwave  
 1130 Junction Dr. #100  
 Allen, TX 75013  
 Tel: 1-800-715-4396 / (972) 649-6678  
 Fax: (972) 649-6689  
[www.fairviewmicrowave.com](http://www.fairviewmicrowave.com)  
[sales@fairviewmicrowave.com](mailto:sales@fairviewmicrowave.com)

**Typical Performance Data**



**How to Order**

Part Number Configuration:

**FMC0238315 - xx uu**

cm = Centimeters  
 <blank> = Inches  
 Length

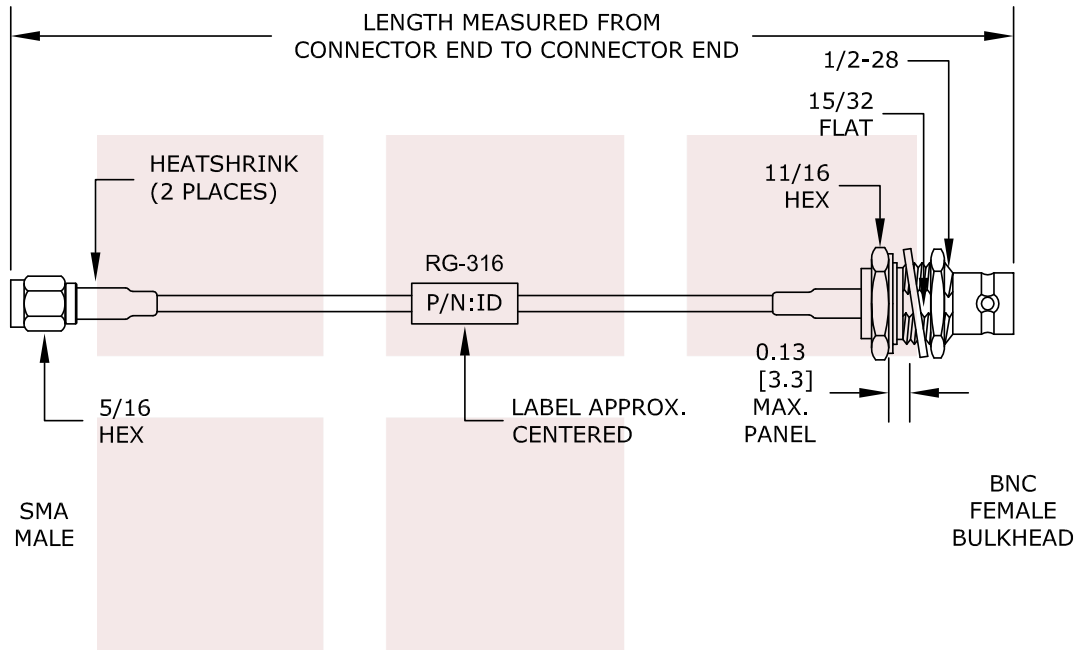
Example: FMC0238315-12 = 12 inches long cable  
 FMC0238315-100cm = 100 cm long cable

SMA Male to BNC Female Bulkhead Cable RG-316 Coax from Fairview Microwave has same day shipment for domestic and International orders. Our RF, microwave and fiber optic products maintain a 99% availability and are part of the broadest selection in the industry.

Click the following link to obtain additional part information: [SMA Male to BNC Female Bulkhead Cable RG-316 Coax FMC0238315](#)

URL: <https://www.fairviewmicrowave.com/sma-male-bnc-female-cable-rg316-coax-fmc0238315-p.aspx>

The information contained in this document is accurate to the best of our knowledge and representative of the part described herein. It may be necessary to make modifications to the part and/or the documentation of the part, in order to implement improvements. Fairview Microwave reserves the right to make such changes as required. Unless otherwise stated, all specifications are nominal. Fairview Microwave does not make any representation or warranty regarding the suitability of the part described herein for any particular purpose, and Fairview Microwave does not assume any liability arising out of the use of any part or documentation.



NOTE:  
FOR LONGER CABLES (>10FT.) THERE ARE TWO LABELS, ONE NEAR EACH END.

How To Order		Part # Ext.	Length In Inches	Part # Ext.	Length In Centimeters		
<p><u>Part Number Configuration</u></p> <p>FMC zzzzzzz - [xx] [uu]</p> <p>cm = Centimeters &lt; Blank &gt; = Inches Length</p>		<p><u>Examples</u></p> <p>FMC000-100 FMC000-100cm</p>		-12	12"	-25cm	25cm
		-24	24"	-50cm	50cm		
		-36	36"	-75cm	75cm		
		-48	48"	-100cm	100cm		
		-60	60"	-125cm	125cm		
		-xx	Custom Length	-xxcm	Custom Length		
<p><b>FAIRVIEW MICROWAVE INC.</b> ALLEN, TX 75013 WWW.FAIRVIEWMICROWAVE.COM</p>			<p>NOTES: 1. UNLESS OTHERWISE SPECIFIED ALL DIMENSIONS ARE NOMINAL. 2. ALL SPECIFICATIONS ARE SUBJECT TO CHANGE WITHOUT NOTICE AT ANY TIME. 3. DIMENSIONS ARE IN INCHES [mm].</p>				
<p>TITLE SMA Male to BNC Female Bulkhead Cable RG-316 Coax</p>			<p>DWG NO <b>FMC0238315-12</b></p>		<p>CAGE CODE <b>3FKR5</b></p>		
<p>CAD FILE 091914 SHEET</p>		<p>SCALE N/A</p>		<p>SIZE A 150</p>			