

TNC Female Bulkhead to SSMC Plug Cable RG-188 Coax



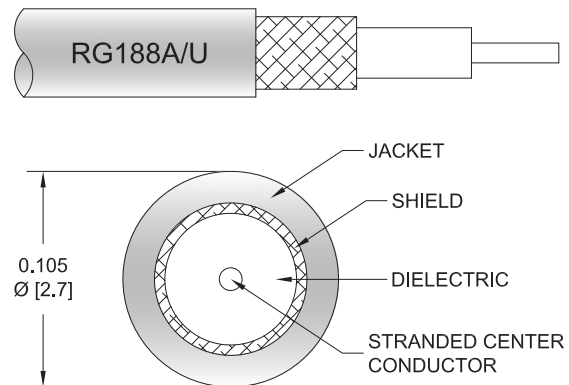
FMCA100088

Configuration

- Connector 1: TNC Female Bulkhead
- Connector 2: SSMC Plug
- Cable Type: RG-188
- Coax Flex Type: Flexible

Features

- Max Frequency 3 GHz
- PTFE Jacket



Applications

- General Purpose
- Laboratory Use

Description

The TNC female bulkhead to SSMC plug cable using RG188 coax, part number FMCA100088, from Fairview Microwave is in-stock and ships same day. This Fairview TNC to SSMC cable assembly has a female to plug gender configuration with 50 ohm flexible RG-188 coax. Fairview Microwave's flexible RF cable assemblies are ideal for applications where tight bends and continual flexure are required. The FMCA100088 TNC female to SSMC plug cable assembly operates to 3 GHz. Our RF cable assembly with TNC bulkhead interface allows designers to create external connections on their product enclosures, and can be used in a variety of other rack mount and panel mount applications.

Custom versions of most RF cable assemblies can be built and shipped same day. Custom cable assembly lengths can be obtained by specifying the desired length on the web site at time of order or by contacting a sales representative. Other RF cable assembly value added services including connector orientation or clocking, heat shrink booting and labeling are also available. RF testing can also be performed to document the electrical performance of your cable assembly.

Electrical Specifications

Description	Minimum	Typical	Maximum	Units
Frequency Range	DC		3	GHz
VSWR			1.4:1	

Mechanical Specifications

Cable Assembly

Width/Diameter	0.5 in [12.7 mm]
Weight	0.061 lbs [27.67 g]

Cable

Cable Type	RG-188
Impedance	50 Ohms
Inner Conductor Type	Stranded
Inner Conductor Material and Plating	Copper Clad Steel, Silver

TNC Female Bulkhead to SSMC Plug Cable RG-188 Coax



FMCA100088

Dielectric Type	PTFE
Number of Shields	1
Shield Layer 1	Silver Plated Copper Braid
Jacket Material	PTFE, White
Jacket Diameter	0.11 in [2.79 mm]

Connectors

Description	Connector 1	Connector 2
Type	TNC Female Bulkhead	SSMC Plug
Specification	MIL-STD-348	
Impedance	50 Ohms	50 Ohms
Configuration	Straight	Straight
Contact Material and Plating	Phosphor Bronze, Gold	Beryllium Copper, Gold
Dielectric Type	PTFE	PTFE
Outer Conductor Material and Plating	Brass, Nickel	
Body Material and Plating	Brass, Nickel	Beryllium Copper, Gold
Coupling Nut Material and Plating		Brass, Gold
Hex Size	5/8 inch	5/32 inch

Environmental Specifications

Operating Range Temperature	-40 to +85 deg C
-----------------------------	------------------

Compliance Certifications (see [product page](#) for current document)

Plotted and Other Data

Notes:

TNC Female Bulkhead to SSMC Plug Cable RG-188 Coax



FMCA100088

Typical Performance Data

How to Order

Part Number Configuration:

FMCA100088

- xx

uu

Unit of Measure:
cm = Centimeters
<blank> = Inches

Length

Base Number

Example: FMCA100088-12 = 12 inches long cable
FMCA100088-100cm = 100 cm long cable

TNC Female Bulkhead to SSMC Plug Cable RG-188 Coax from Fairview Microwave is in-stock and available to ship same-day. All of our RF/microwave products are available off-the-shelf from our ISO 9001:2008 certified facilities in Lewisville, Texas. Fairview Microwave is RF on-demand.

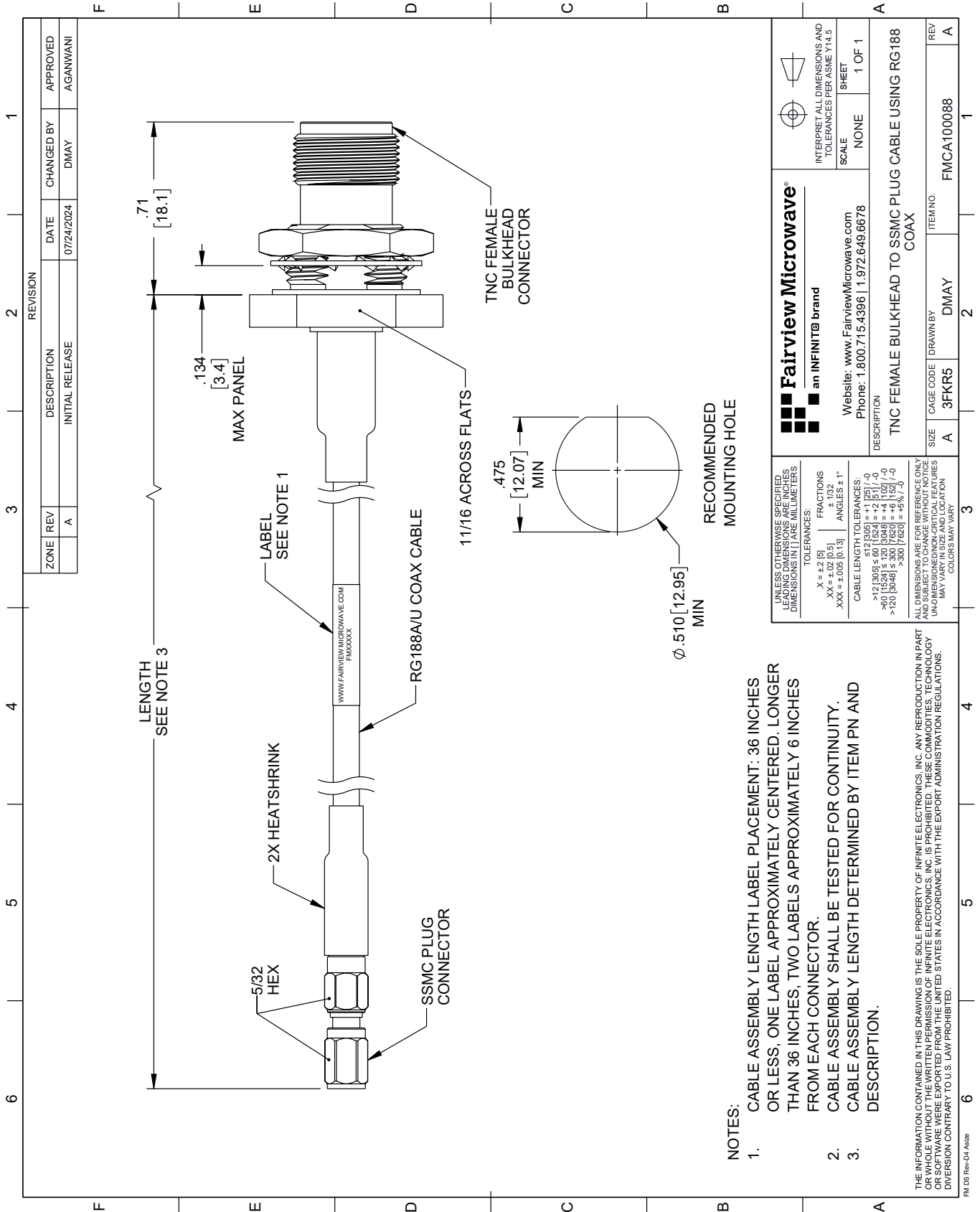
For additional information on this product, please click the following link: [TNC Female Bulkhead to SSMC Plug Cable RG-188 Coax FMCA100088](https://www.fairviewmicrowave.com/tnc-female-bulkhead-to-ssmc-plug-cable-rg188-coax-fmca100088-p.aspx)

URL: <https://www.fairviewmicrowave.com/tnc-female-bulkhead-to-ssmc-plug-cable-rg188-coax-fmca100088-p.aspx>

The information contained within this document is accurate to the best of our knowledge and representative of the part described herein. It may be necessary to make modifications to the part and/or the documentation of the part in order to implement improvements. Fairview Microwave reserves the right to make such changes as required. Unless otherwise stated, all specifications are nominal. Fairview Microwave does not make any representation or warranty regarding the suitability of the part described herein for any particular purpose, and Fairview Microwave does not assume liability arising out of the use of any part or document.

FMCA100088 CAD Drawing

TNC Female Bulkhead to SSMC Plug Cable RG-188 Coax



REVISION		DATE	CHANGED BY	APPROVED
ZONE	REV	DESCRIPTION	INITIAL RELEASE	
	A			AGANWANI

 Fairview Microwave® an INFINIT® brand Website: www.FairviewMicrowave.com Phone: 1.800.715.4396 1.972.649.6678		INTERPRET ALL DIMENSIONS AND TOLERANCES PER ASME Y14.5 SCALE: NONE SHEET: 1 OF 1
DESCRIPTION: TNC FEMALE BULKHEAD TO SSMC PLUG CABLE USING RG188 COAX		
SIZE: A	CAGE CODE: 3FKR5	ITEM NO.: FMCA100088
REV: A	DRAWN BY: DMAY	REV: A

- NOTES:**
- CABLE ASSEMBLY LENGTH LABEL PLACEMENT: 36 INCHES OR LESS, ONE LABEL APPROXIMATELY CENTERED. LONGER THAN 36 INCHES, TWO LABELS APPROXIMATELY 6 INCHES FROM EACH CONNECTOR.
 - CABLE ASSEMBLY SHALL BE TESTED FOR CONTINUITY.
 - CABLE ASSEMBLY LENGTH DETERMINED BY ITEM PN AND DESCRIPTION.

ALL DIMENSIONS ARE FOR REFERENCE ONLY UNLESS OTHERWISE SPECIFIED. UNLESS OTHERWISE SPECIFIED, LEADING DIMENSIONS ARE IN INCHES. UNLESS OTHERWISE SPECIFIED, DIMENSIONS IN [] ARE MILLIMETERS.

TOLERANCES:
 .X = ±.2 [5]
 .XX = ±.02 [0.5]
 .XXX = ±.005 [0.13]
 FRACTIONS: ± 1/32
 ANGLES: ± 1°

CABLE LENGTH TOLERANCES:
 <12 [305] ≤ 60 [1524] = ±.1 [25] / -0
 >60 [1524] ≤ 120 [3048] = ±.4 [102] / -0
 >120 [3048] ≤ 300 [7620] = ±.6 [152] / -0

ALL DIMENSIONS ARE FOR REFERENCE ONLY UNLESS OTHERWISE SPECIFIED. UNLESS OTHERWISE SPECIFIED, LEADING DIMENSIONS ARE IN INCHES. UNLESS OTHERWISE SPECIFIED, DIMENSIONS IN [] ARE MILLIMETERS. COLORS MAY VARY.

THE INFORMATION CONTAINED IN THIS DRAWING IS THE SOLE PROPERTY OF INFINITE ELECTRONICS, INC. ANY REPRODUCTION IN PART OR WHOLE WITHOUT THE WRITTEN PERMISSION OF INFINITE ELECTRONICS, INC. IS PROHIBITED. THESE COMMODITIES, TECHNOLOGY OR SOFTWARE WERE EXPORTED FROM THE UNITED STATES IN ACCORDANCE WITH THE EXPORT ADMINISTRATION REGULATIONS. DIVERSION CONTRARY TO U.S. LAW PROHIBITED.

FM DS Rev-D4 Alt26