

**Slide-On BMA Plug Bulkhead to Slide-On BMA Jack  
 2 Hole Flange Cable LMR-100 Coax in 60 Inch**

The BMA plug slide-on bulkhead to BMA jack slide-on 2 hole flange 60 inch cable using LMR-100 coax, part number FMCA1637-60, from Fairview Microwave is in-stock and ships same day. This Fairview BMA to BMA cable assembly has a plug to jack gender configuration with 50 ohm flexible LMR-100A-PVC coax. Fairview Microwave's flexible RF cable assemblies are ideal for applications where tight bends and continual flexure are required. The FMCA1637-60 BMA plug to BMA jack cable assembly operates to 5.8 GHz. Our RF cable assembly with BMA bulkhead and BMA 2 hole flange interface allows designers to create external connections on their product enclosures, and can be used in a variety of other rack mount and panel mount applications. The double shielding of this Fairview cable assembly provides excellent shielding effectiveness of better than 90 dB.

Custom versions of most RF cable assemblies can be built and shipped same day. Custom cable assembly lengths can be obtained by specifying the desired length on the web site at time of order or by contacting a sales representative. Other RF cable assembly value added services including connector orientation or clocking, heat shrink booting and labeling are also available. RF testing can also be performed to document the electrical performance of your cable assembly.

**Electrical Specifications**

| Description                   | Min | Typ           | Max   | Units                            |
|-------------------------------|-----|---------------|-------|----------------------------------|
| Frequency Range               | DC  |               | 5.8   | GHz                              |
| VSWR                          |     |               | 1.4:1 |                                  |
| Return Loss                   |     |               | 15.56 | dB                               |
| Velocity of Propagation       |     | 66            |       | %                                |
| RF Shielding                  | 90  |               |       | dB                               |
| Group Delay                   |     | 1.54 [5.05]   |       | ns/ft [ns/m]                     |
| Capacitance                   |     | 30.8 [101.05] |       | pF/ft [pF/m]                     |
| Inductance                    |     | 0.077 [0.25]  |       | uH/ft [uH/m]                     |
| DC Resistance Inner Conductor |     | 81 [265.75]   |       | $\Omega$ /1000ft [ $\Omega$ /Km] |
| DC Resistance Outer Conductor |     | 9.5 [31.17]   |       | $\Omega$ /1000ft [ $\Omega$ /Km] |
| Jacket Spark                  |     |               | 2,000 | Vrms                             |

**Performance by Frequency**

| Description           | F1   | F2   | F3  | F4  | F5  | Units |
|-----------------------|------|------|-----|-----|-----|-------|
| Frequency             | 0.25 | 0.5  | 1   | 2.5 | 5.8 | GHz   |
| Insertion Loss (Typ.) | 0.8  | 1.05 | 1.4 | 2.2 | 3.4 | dB    |

**Mechanical Specifications**

**Cable Assembly**

Length\* 60 in [152.4 cm]  
 Diameter 0.75 in [19.05 mm]

**Cable**

Cable Type LMR-100A-PVC  
 Impedance 50 Ohms



**Configuration:**

- Slide-On BMA Plug Bulkhead
- Slide-On BMA Jack 2 Hole Flange
- LMR-100A-PVC

**Features:**

- Max Frequency 5.8 GHz
- Shielding Effectivity > 90 dB
- 66% Phase Velocity
- Double Shielded
- PVC Jacket

**Applications:**

- General Purpose
- Laboratory Use
- Rack and Panel
- BMA Cable RF Backplanes
- Phased Array Interconnects
- High Speed Switching Networks
- Blind Mate BMA Test

Fairview Microwave  
 301 Leora Ln., Suite 100  
 Lewisville, TX 75056  
 Tel: 1-800-715-4396 / (972) 649-6678  
 Fax: (972) 649-6689  
[www.fairviewmicrowave.com](http://www.fairviewmicrowave.com)  
[sales@fairviewmicrowave.com](mailto:sales@fairviewmicrowave.com)

Inner Conductor Type Solid  
 Inner Conductor Material and Plating Copper Clad Steel  
 Dielectric Type PE  
 Number of Shields 2  
 Shield Layer 1 Aluminum Tape  
 Shield Layer 2 Tinned Copper Braid  
 Jacket Material PVC, Black  
 Jacket Diameter 0.11 in [2.79 mm]

One Time Minimum Bend Radius 0.25 in [6.35 mm]  
 Repeated Minimum Bend Radius 1 in [25.4 mm]  
 Bending Moment 0.1 lbs-ft [0.14 N-m]  
 Flat Plate Crush 10 lbs/in [0.18 Kg/mm]  
 Tensile Strength 15 lbs [6.8 Kg]

**Connectors**

| Description                   | Connector 1                | Connector 2            |
|-------------------------------|----------------------------|------------------------|
| Type                          | BMA Plug                   | BMA Jack               |
| Mount Method                  | Bulkhead                   | 2 Hole Flange          |
| Impedance                     | 50 Ohms                    | 50 Ohms                |
| Connection Method             | Slide-On                   | Slide-On               |
| Contact Material & Plating    | Beryllium Copper, Gold     | Beryllium Copper, Gold |
| Contact Plating Spec.         | 51.18µ in. minimum         |                        |
| Dielectric Type               | PTFE                       | PTFE                   |
| Outer Cond Material & Plating | Passivated Stainless Steel | Beryllium Copper, Gold |
| Body Material & Plating       | Passivated Stainless Steel | Brass, Tri-Metal       |
| Hex Size                      | 8 mm                       |                        |

Mechanical Specification Notes:

\*All cable assemblies have a length tolerance of 1.5% or ± 3/8", whichever is greater.

**Environmental Specifications**

**Temperature**

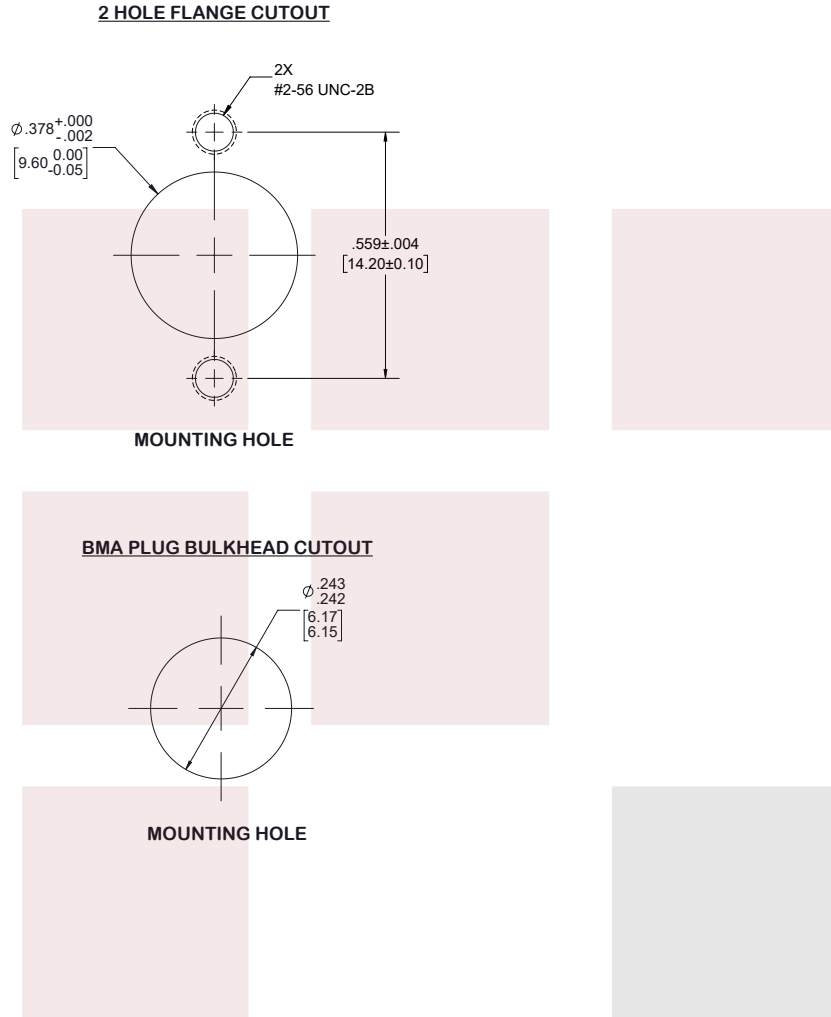
Operating Range -40 to +85 deg C

**Compliance Certifications** (see [product page](#) for current document)

**Plotted and Other Data**

Notes:

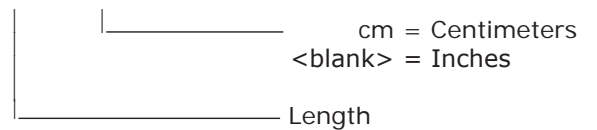
**Typical Performance Data**



**How to Order**

Part Number Configuration:

**FMCA1637 - xx uu**



Example: FMCA1637-12 = 12 inches long cable  
 FMCA1637-100cm = 100 cm long cable

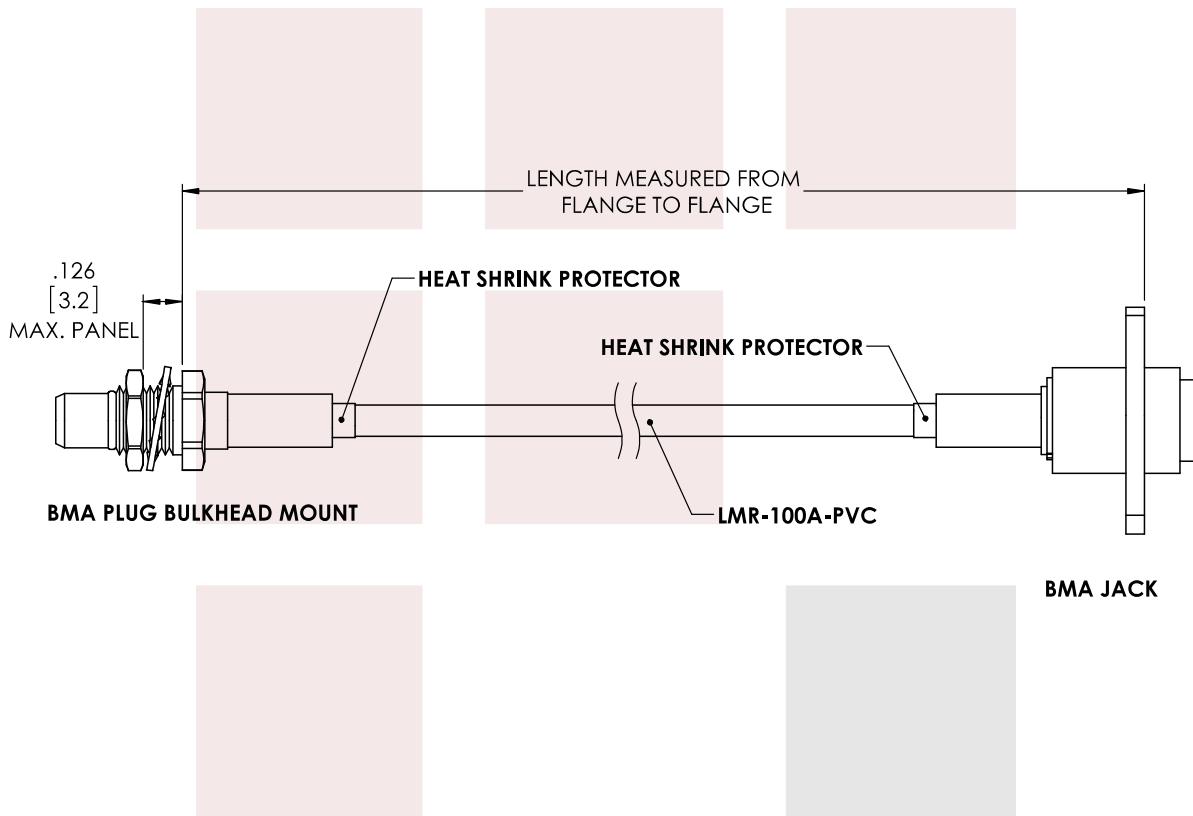
Slide-On BMA Plug Bulkhead to Slide-On BMA Jack 2 Hole Flange Cable LMR-100 Coax in 60 Inch from Fairview Microwave has same day shipment for domestic and International orders. Our RF, microwave and fiber optic products maintain a 99% availability and are part of the broadest selection in the industry.

Click the following link to obtain additional part information: [Slide-On BMA Plug Bulkhead to Slide-On BMA Jack 2 Hole Flange Cable LMR-100 Coax in 60 Inch FMCA1637-60](#)

URL: <https://www.fairviewmicrowave.com/bma-plug-bma-jack-cable-lmr100-coax-fmca1637-60-p.aspx>

The information contained in this document is accurate to the best of our knowledge and representative of the part described herein. It may be necessary to make modifications to the part and/or the documentation of the part, in order to implement improvements. Fairview Microwave reserves the right to make such changes as required. Unless otherwise stated, all specifications are nominal. Fairview Microwave does not make any representation or warranty regarding the suitability of the part described herein for any particular purpose, and Fairview Microwave does not assume any liability arising out of the use of any part or documentation.





| STANDARD TOLERANCES |        |
|---------------------|--------|
| .X                  | ±0.2   |
| .XX                 | ±0.01  |
| .XXX                | ±0.005 |

\*STANDARD TOLERANCES APPLY ONLY TO DIMENSIONS IN INCHES

|  |  |   |  |                    |               |
|--|--|---|--|--------------------|---------------|
| <b>FAIRVIEW MICROWAVE INC.</b><br>ALLEN, TX 75013 WWW.FAIRVIEWMICROWAVE.COM                          |  | NOTES:<br>1. UNLESS OTHERWISE SPECIFIED ALL DIMENSIONS ARE NOMINAL.<br>2. ALL SPECIFICATIONS ARE SUBJECT TO CHANGE WITHOUT NOTICE AT ANY TIME.<br>3. DIMENSIONS ARE IN INCHES [mm]. |  |                    |               |
| TITLE<br>Slide-On BMA Plug Bulkhead to Slide-On BMA Jack 2 Hole Flange Cable LMR-100 Coax in 60 Inch |  | DWG NO<br>FMCA1637  |  | CAGE CODE<br>3FKR5 |               |
| CAD FILE 12/26/17  |  | SHEET   |  | SCALE N/A          | SIZE A CN2245 |