

Plenum Low PIM 4.3-10 Male to NEX10 Male Cable SPP-250-LLPL Coax Using Times Microwave Parts

The 4.3-10 male to NEX10 male cable using SPP-250-LLPL coax, part number FMCA1933, from Fairview Microwave is in-stock and ships same day. This Fairview 4.3-10 to NEX10 cable assembly has a male to male gender configuration with 50 ohm corrugated SPP-250-LLPL coax. Fairview Microwave's corrugated RF cable assemblies are ideal for applications where durability and high power are needed. Our low PIM design offers excellent passive intermodulation performance with PIM levels better than -160 dBc. The FMCA1933 4.3-10 male to NEX10 male cable assembly operates to 5.8 GHz. Times Microwave cable is used in each assembly and TMS components are used to form connections with the super flexible low PIM cable. These cable assemblies are expertly built to satisfy your specific need with high quality Times Microwave Systems manufactured parts.

Custom versions of most RF cable assemblies can be built and shipped same day. Custom cable assembly lengths can be obtained by specifying the desired length on the web site at time of order or by contacting a sales representative. Other RF cable assembly value added services including connector orientation or clocking, heat shrink booting and labeling are also available. RF testing can also be performed to document the electrical performance of your cable assembly.

Electrical Specifications

| Description | Min | Typ | Max | Units |
|-------------------------------|-----|--------------|-------|----------------------------------|
| Frequency Range | DC | | 5.8 | GHz |
| VSWR | | | 1.4:1 | |
| Velocity of Propagation | | 76 | | % |
| RF Shielding | 100 | | | dB |
| Passive Intermodulation | | -165 | -160 | dBc |
| Capacitance | | 27 [88.58] | | pF/ft [pF/m] |
| Inductance | | 0.067 [0.22] | | uH/ft [uH/m] |
| DC Resistance Inner Conductor | | 3 [9.84] | | Ω /1000ft [Ω /Km] |

Performance by Frequency

| Description | F1 | F2 | F3 | F4 | F5 | Units |
|-----------------------|-------|-------|-------|-------|-------|-------|
| Frequency | 0.45 | 0.7 | 1 | 2.5 | 5.8 | GHz |
| Insertion Loss (Max.) | 0.038 | 0.048 | 0.057 | 0.094 | 0.148 | dB/ft |
| | 0.12 | 0.16 | 0.19 | 0.31 | 0.49 | dB/m |

Electrical Specification Notes:

PIM test results vary between cables

Insertion Loss does not include the loss of the connectors. Insertion Loss is estimated as $0.1 * \text{SQRT}(\text{FGHz})$ dB per connector.

Mechanical Specifications

Cable Assembly

Length* 0 in [0 mm]



Configuration:

- 4.3-10 Male
- TC-250-4310M-LP
- NEX10 Male
- TC-250-NX10M-LP
- SPP-250-LLPL

Features:

- Max Frequency 5.8 GHz
- Low PIM: -160 dBc Max
- Shielding Effectivity > 100 dB
- 76% Phase Velocity
- FEP Jacket
- 100% Tested with PIM Test Results Marked on Cable
- UL910 Plenum Rated Cable
- Lightweight and Extremely Flexible
- Low Loss with Excellent VSWR
- IP67 (when mated)
- Using Times Microwave Components

Applications:

- General Purpose
- Laboratory Use
- Low PIM Applications
- Distributed Antenna Systems (DAS)
- Plenum Installations
- Multi-Carrier Communication Systems
- PIM Testing

Cable Diagram:

Fairview Microwave
 301 Leora Ln., Suite 100
 Lewisville, TX 75056
 Tel: 1-800-715-4396 / (972) 649-6678
 Fax: (972) 649-6689
www.fairviewmicrowave.com
sales@fairviewmicrowave.com

Cable

| | |
|--------------------------------------|----------------------------------|
| Cable Type | SPP-250-LLPL |
| Impedance | 50 Ohms |
| Inner Conductor Type | Solid |
| Inner Conductor Material and Plating | Copper |
| Dielectric Type | PTFE |
| Number of Shields | 1 |
| Shield Layer 1 | Helically Corrugated Copper Tube |
| Outer Conductor Material and Plating | Copper |
| Outer Conductor Diameter | 0.25 in [6.35 mm] |
| Jacket Material | FEP, Blue |
| Jacket Diameter | 0.28 in [7.11 mm] |
| One Time Minimum Bend Radius | 1.25 in [31.75 mm] |
| Bending Moment | 0.8 lbs-ft [1.08 N-m] |

Connectors

| Description | Connector 1 | Connector 2 |
|---------------------------------|-------------------------|---------------------|
| Type | 4.3-10 Male | NEX10 Male |
| Impedance | 50 Ohms | 50 Ohms |
| Mating Cycles | | 500 |
| Contact Material & Plating | Phosphor Bronze, Silver | Brass, Silver |
| Contact Plating Spec. | 200 µin | 100 µin |
| Dielectric Type | PTFE | PTFE |
| Body Material & Plating | Brass, Tri-Metal | Brass, Tri-Metal |
| Body Plating Spec. | 80 µin | 100 µin |
| Coupling Nut Material & Plating | Brass, Tri-Metal | Brass, Tri-Metal |
| Coupling Nut Plating Spec. | 80 µin | 100 µin |
| Torque | 44.25 in-lbs 5 Nm | 13.28 in-lbs 1.5 Nm |

Environmental Specifications

Temperature

| | |
|-----------------|-------------------|
| Operating Range | -55 to +200 deg C |
| Storage Range | -55 to +200 deg C |
| Plenum Rating | UL910 |

Compliance Certifications (see [product page](#) for current document)

Plotted and Other Data

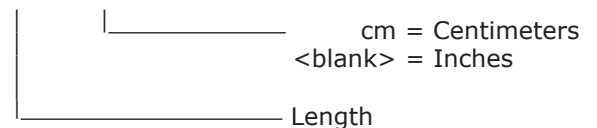
Notes:

- Values at 25°C, sea level.

How to Order

Part Number Configuration:

FMCA1933 - xx uu



Example: FMCA1933-12 = 12 inches long cable
FMCA1933-100cm = 100 cm long cable

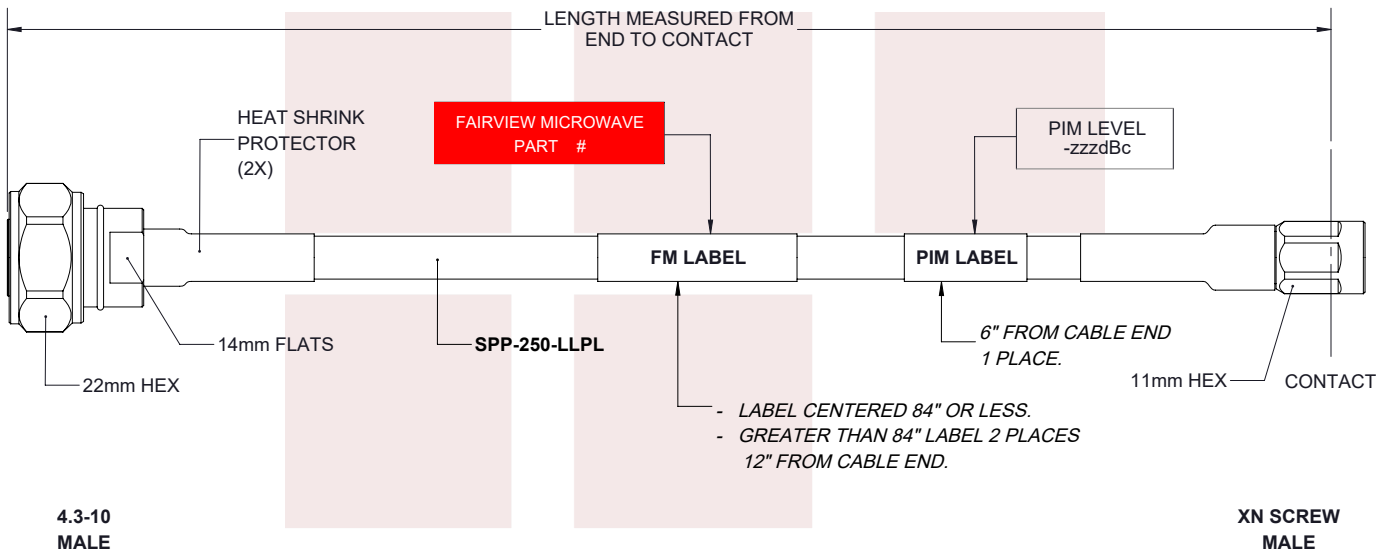
Plenum Low PIM 4.3-10 Male to NEX10 Male Cable SPP-250-LLPL Coax Using Times Microwave Parts from Fairview Microwave has same day shipment for domestic and International orders. Our RF, microwave and millimeter wave products maintain a 99% availability and are part of the broadest selection in the industry.

Click the following link to obtain additional part information: [Plenum Low PIM 4.3-10 Male to NEX10 Male Cable SPP-250-LLPL Coax Using Times Microwave Parts FMCA1933](#)

URL: <https://www.fairviewmicrowave.com/low-pim-4.3-10-male-nex10-male-cable-spp250llpl-coax-fmca1933-p.aspx>

The information contained in this document is accurate to the best of our knowledge and representative of the part described herein. It may be necessary to make modifications to the part and/or the documentation of the part, in order to implement improvements. Fairview Microwave reserves the right to make such changes as required. Unless otherwise stated, all specifications are nominal. Fairview Microwave does not make any representation or warranty regarding the suitability of the part described herein for any particular purpose, and Fairview Microwave does not assume any liability arising out of the use of any part or documentation.





| STANDARD TOLERANCES | |
|---------------------|--------|
| .X | ±0.2 |
| .XX | ±0.01 |
| .XXX | ±0.005 |

*STANDARD TOLERANCES APPLY ONLY TO DIMENSIONS IN INCHES

| | | | | | |
|--|----------|---|--------|-----------|--------|
| | | NOTES: 1. UNLESS OTHERWISE SPECIFIED ALL DIMENSIONS ARE NOMINAL. 2. ALL SPECIFICATIONS ARE SUBJECT TO CHANGE WITHOUT NOTICE AT ANY TIME. 3. DIMENSIONS ARE IN INCHES [mm]. | | | |
| TITLE | | DWG NO | | CAGE CODE | |
| Plenum Low PIM 4.3-10 Male to NEX10 Male Cable SPP-250-LLPL Coax Using Times Microwave Parts | | FMCA1933 | | 3FKR5 | |
| CAD FILE | 06/05/19 | SHEET | 1 OF 1 | SCALE | N/A |
| | | | | SIZE | A 7361 |