

SMA Female Bulkhead to SMA Male Cable FM-SR141TB Coax in 6 Inch

The SMA female bulkhead to SMA male 6 inch cable using FM-SR141TB coax, part number FMCA2114-6, from Fairview Microwave is in-stock and ships same day. This Fairview SMA to SMA cable assembly has a female to male gender configuration with 50 ohm formable FM-SR141TB coax. Fairview Microwave's formable RF cable assemblies provide an alternative to costly pre-formed semi-rigid assemblies since they are hand formable. The FMCA2114-6 SMA female to SMA male cable assembly operates to 18 GHz. Our RF cable assembly with SMA bulkhead interface allows designers to create external connections on their product enclosures, and can be used in a variety of other rack mount and panel mount applications.

Custom versions of most RF cable assemblies can be built and shipped same day. Custom cable assembly lengths can be obtained by specifying the desired length on the web site at time of order or by contacting a sales representative. Other RF cable assembly value added services including connector orientation or clocking, heat shrink booting and labeling are also available. RF testing can also be performed to document the electrical performance of your cable assembly.

Electrical Specifications

| Description | Min | Typ | Max | Units |
|-------------------------------|-----|-------------|-------|---|
| Frequency Range | DC | | 18 | GHz |
| VSWR | | | 1.4:1 | |
| Velocity of Propagation | | 69.5 | | % |
| RF Shielding | 110 | | | dB |
| Capacitance | | 29 [95.14] | | pF/ft [pF/m] |
| DC Resistance Inner Conductor | | 7.8 [25.59] | | $\Omega/1000\text{ft}$ [Ω/Km] |
| DC Resistance Outer Conductor | | 5.5 [18.04] | | $\Omega/1000\text{ft}$ [Ω/Km] |

Performance by Frequency

| Description | F1 | F2 | F3 | F4 | F5 | Units |
|-----------------------|------|------|------|------|------|-------|
| Frequency | 1 | 2 | 4.5 | 9 | 18 | GHz |
| Insertion Loss (Typ.) | 0.26 | 0.28 | 0.33 | 0.41 | 0.52 | dB |

Electrical Specification Notes:

The Insertion Loss data above is based on the performance specifications of the coax cable and connectors used in this assembly. The Insertion Loss includes an estimated insertion loss of 0.1 dB per connector.

Mechanical Specifications

Cable Assembly

Length* 6 in [152.4 mm]
 Diameter 0.433 in [11 mm]

Cable

Cable Type FM-SR141TB
 Impedance 50 Ohms
 Inner Conductor Type Solid
 Inner Conductor Material and Plating Copper, Silver



Configuration:

- SMA Female Bulkhead
- SMA Male
- FM-SR141TB

Features:

- Max Frequency 18 GHz
- Shielding Effectivity > 110 dB
- 69.5% Phase Velocity
- Dimensionally and electrically the same as standard, solid outer conductor semi-rigid coax
- Cable may be formed by hand and does not require special tools to bend
- May be formed more than once without damaging the outer conductor
- High RF Shielding >100 dB
- 100% Hi-pot and continuity tested
- 100% VSWR tested to max frequency of assembly
- Standard and custom lengths ship the same day

Applications:

- General Purpose
- Laboratory Use

Fairview Microwave
 301 Leora Ln., Suite 100
 Lewisville, TX 75056
 Tel: 1-800-715-4396 / (972) 649-6678
 Fax: (972) 649-6689
www.fairviewmicrowave.com
sales@fairviewmicrowave.com

Dielectric Type PTFE
 Outer Conductor Material and Plating Tinned Copper Composite Braid
 Repeated Minimum Bend Radius 0.625 in [15.88 mm]

Connectors

| Description | Connector 1 | Connector 2 |
|---------------------------------|------------------------------------|-------------------------|
| Type | SMA Female | SMA Male |
| Mount Method | Bulkhead | |
| Impedance | 50 Ohms | 50 Ohms |
| Contact Material & Plating | Beryllium Copper, Gold over Nickel | |
| Dielectric Type | PTFE | |
| Body Material & Plating | Brass, Gold over Nickel | Brass, Gold over Nickel |
| Coupling Nut Material & Plating | Passivated Stainless Steel | |
| Hex Size | 5/16 inch | |
| Torque | 8 in-lbs 0.9 Nm | |

Mechanical Specification Notes:

*All cable assemblies have a length tolerance of 1.5% or $\pm 3/8"$, whichever is greater.

Compliance Certifications (see [product page](#) for current document)

Plotted and Other Data

Notes:

- Values at 25°C, sea level.

How to Order

Part Number Configuration:

FMCA2114 - xx uu

cm = Centimeters
 <blank> = Inches
 Length

Example: FMCA2114-12 = 12 inches long cable
 FMCA2114-100cm = 100 cm long cable

SMA Female Bulkhead to SMA Male Cable FM-SR141TB Coax in 6 Inch from Fairview Microwave has same day shipment for domestic and International orders. Our RF, microwave and fiber optic products maintain a 99% availability and are part of the broadest selection in the industry.

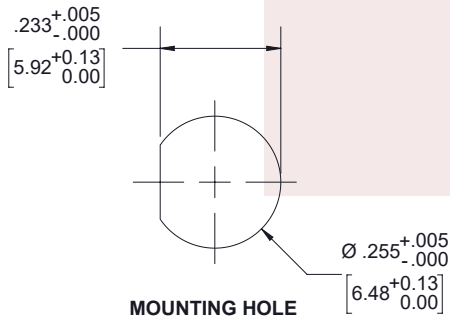
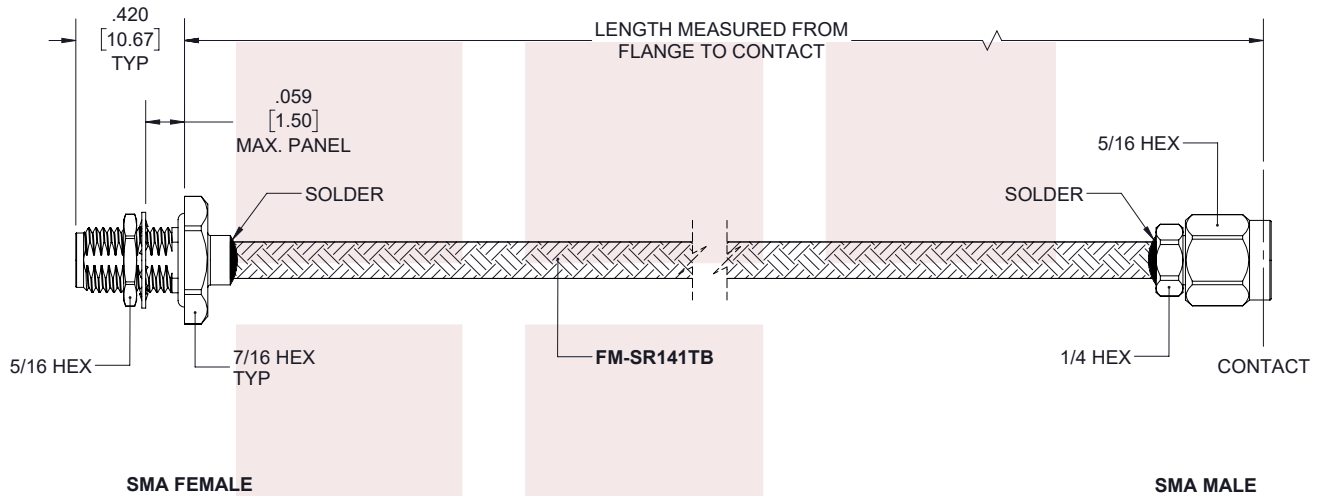
Click the following link to obtain additional part information: [SMA Female Bulkhead to SMA Male Cable FM-SR141TB Coax in 6 Inch FMCA2114-6](#)

URL: <https://www.fairviewmicrowave.com/sma-female-sma-male-cable-fm-sr141tb-coax-fmca2114-6-p.aspx>

The information contained in this document is accurate to the best of our knowledge and representative of the part described herein. It may be necessary to make modifications to the part and/or the documentation of the part, in order to implement improvements. Fairview Microwave reserves the right to make such changes as required. Unless otherwise stated, all specifications are nominal. Fairview Microwave does not make any representation or warranty regarding the suitability of the part described herein for any particular purpose, and Fairview Microwave does not assume any liability arising out of the use of any part or documentation.



| REVISIONS | | | |
|-----------|-----------------|----------|----------|
| REV. | DESCRIPTION | DATE | APPROVED |
| A | INITIAL RELEASE | 11/26/19 | S.ELLIS |



THESE COMMODITIES, TECHNOLOGY OR SOFTWARE WERE EXPORTED FROM THE UNITED STATES IN ACCORDANCE WITH THE EXPORT ADMINISTRATION REGULATIONS. DIVERSION CONTRARY TO U.S. LAW PROHIBITED.

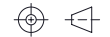
TITLE
SMA Female Bulkhead to SMA Male Cable FM-SR141TB Coax in 6 Inch

UNLESS OTHERWISE SPECIFIED LEADING DIMENSIONS ARE INCHES
DIMENSIONS IN [] ARE MILLIMETERS

TOLERANCES: CABLE LENGTH (L) TOLERANCES:

| | | |
|--------------------|-------------|---|
| .X = ±.2 [5.08] | FRACTIONS | L ≤ 12 [305] = +1 [25] / -0 |
| .XX = ±.02 [.51] | ± 1/32 | 12 [305] < L ≤ 60 [1524] = +2 [51] / -0 |
| .XXX = ±.005 [.13] | ANGLES ± 1° | 60 [1524] < L ≤ 120 [3048] = +4 [102] / -0 |
| | | 120 [3048] < L ≤ 300 [7620] = +6 [152] / -0 |
| | | 300 [7620] < L = +5%L / -0 |

THIRD-ANGLE PROJECTION



THE INFORMATION AND DESIGN IN THIS DOCUMENT IS THE PROPERTY OF FAIRVIEW MICROWAVE CORPORATION. ALL RIGHTS RESERVED.

SHEET 1 OF 1

ALL DIMENSIONS SHOWN ARE FOR REFERENCE ONLY.

SCALE N/A

| | | | | |
|-----------|--------------------|--------------------|-------------------------|----------|
| SIZE A | CAGE CODE 3FKR5 | DRAWN BY K.DANG | PART NUMBER FMCA2114 | REV A |
|-----------|--------------------|--------------------|-------------------------|----------|

T-Rev.D