

## Test Probe SMA Female 2 Hole Flange to Trimmed Lead Cable FM-SR086TB Coax

The 50 ohm SMA Female to pre-trimmed lead cable using FM-SR086TB coax, part number FMCA2394, from Fairview Microwave is in-stock and ships same day. Fairview Microwave's formable cable assemblies provide a convenient alternative to their semi-rigid versions, as they offer similar electrical performance but can be bent to desired shape without the use of special tools.

Fairview's hand formable test probes are convenient ready-to-use probes designed for use in testing microwave circuits. These probes are constructed of high quality hand formable coax and a SMA Female connector. The assemblies come in multiple cable diameters to help when attaching two very fine traces or into tight spaces. There are two versions including straight-cut probe ends for those that would like to customize the dimensions of the center conductor and dielectric dimensions as well as pre-stripped probe ends that are ready for immediate use. Each assembly has been RF tested to ensure VSWR specifications of the assembly are met prior to trimming. Each assembly comes in special packaging to protect the coax and pre-trimmed probe ends.

Custom versions of most RF cable assemblies can be built and shipped same day. Custom cable assembly lengths can be obtained by specifying the desired length on the web site at time of order or by contacting a sales representative. Other available RF cable assembly value added services include connector orientation or clocking, heat shrink booting and custom labeling. RF testing can also be performed to document the electrical performance of your cable assembly.

### Electrical Specifications

Description	Min	Typ	Max	Units
Frequency Range	DC		18	GHz
VSWR			1.4:1	
Velocity of Propagation		69.5		%
Capacitance		29 [95.14]		pF/ft [pF/m]
DC Resistance Inner Conductor		65.7 [215.55]		$\Omega/1000\text{ft}$ [ $\Omega/\text{Km}$ ]
DC Resistance Outer Conductor		10.2 [33.46]		$\Omega/1000\text{ft}$ [ $\Omega/\text{Km}$ ]

### Mechanical Specifications

#### Cable Assembly

##### Cable

Cable Type	FM-SR086TB
Impedance	50 Ohms
Inner Conductor Type	Solid
Inner Conductor Material and Plating	Copper Clad Steel, Silver
Dielectric Type	PTFE
Number of Shields	1
Outer Conductor Material and Plating	Copper, Tin
Repeated Minimum Bend Radius	0.78 in [19.81 mm]



### Configuration:

- SMA Female 2 Hole Flange
- Trimmed Lead
- FM-SR086TB

### Features:

- Max Frequency 18 GHz
- 69.5% Phase Velocity
- 100% RF Tested prior to final trim
- 1.4 Max VSWR to 18 GHz
- 100% High Pot Tested to 500V
- 0.085 Diameter Formable coax
- Individually packed in protective tube

### Applications:

- General Purpose
- Test & Measurement
- Laboratory Use
- RF Test Lead for Measurements up to 18 GHz/Testing of Individual Function or Subsection of an RF Circuit Board
- Inject Signals for Test and Verification

Fairview Microwave  
 301 Leora Ln., Suite 100  
 Lewisville, TX 75056  
 Tel: 1-800-715-4396 / (972) 649-6678  
 Fax: (972) 649-6689  
[www.fairviewmicrowave.com](http://www.fairviewmicrowave.com)  
[sales@fairviewmicrowave.com](mailto:sales@fairviewmicrowave.com)

**Connectors**

Description	Connector 1	Connector 2
Type	SMA Female	Trimmed Lead
Mount Method	2 Hole Flange	
Specification	MIL-STD-348	
Impedance	50 Ohms	
Contact Material & Plating	Beryllium Copper, Gold	
Contact Plating Spec.	MIL-G-45204	
Dielectric Type	PTFE	
Body Material & Plating	Stainless Steel, Gold	
Body Plating Spec.	MIL-G-45204	

**Compliance Certifications** (see [product page](#) for current document)

**Plotted and Other Data**

Notes:

**How to Order**

Part Number Configuration:

**FMCA2394 - xx uu**

cm = Centimeters  
 <blank> = Inches

Length

Example: FMCA2394-12 = 12 inches long cable  
 FMCA2394-100cm = 100 cm long cable

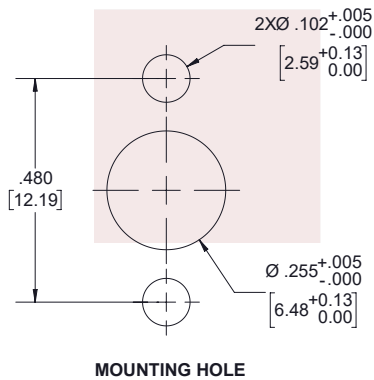
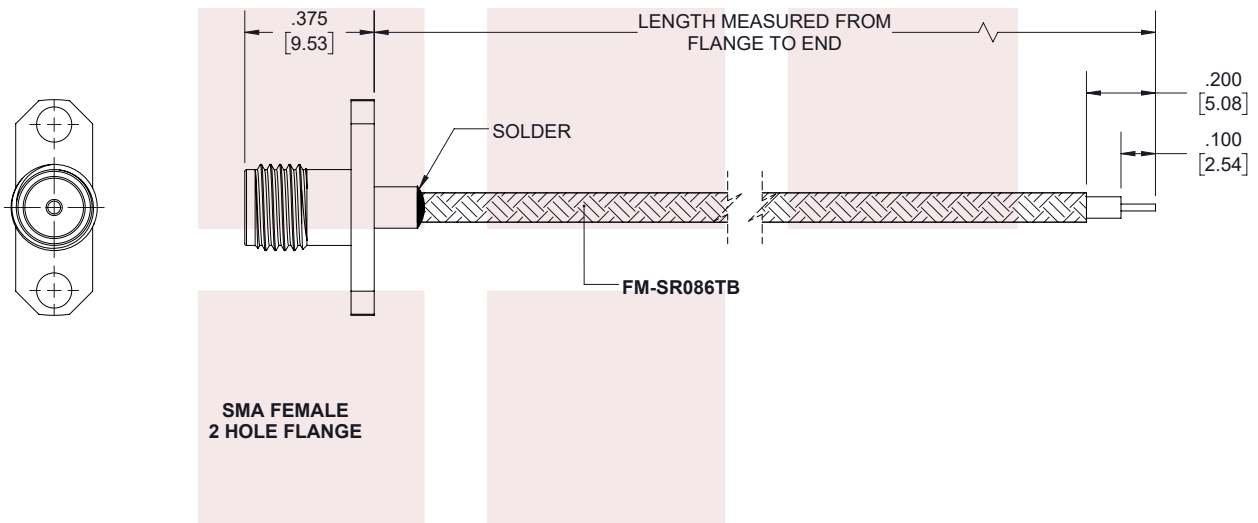
Test Probe SMA Female 2 Hole Flange to Trimmed Lead Cable FM-SR086TB Coax from Fairview Microwave has same day shipment for domestic and International orders. Our RF, microwave and millimeter wave products maintain a 99% availability and are part of the broadest selection in the industry.

Click the following link to obtain additional part information: [Test Probe SMA Female 2 Hole Flange to Trimmed Lead Cable FM-SR086TB Coax FMCA2394](#)

URL: <https://www.fairviewmicrowave.com/test-probe-sma-female-trimmed-lead-lead-cable-fm-sr086tb-coax-fm-ca2394-p.aspx>

The information contained in this document is accurate to the best of our knowledge and representative of the part described herein. It may be necessary to make modifications to the part and/or the documentation of the part, in order to implement improvements. Fairview Microwave reserves the right to make such changes as required. Unless otherwise stated, all specifications are nominal. Fairview Microwave does not make any representation or warranty regarding the suitability of the part described herein for any particular purpose, and Fairview Microwave does not assume any liability arising out of the use of any part or documentation.

REVISIONS			
REV.	DESCRIPTION	DATE	APPROVED
A	INITIAL RELEASE	5/10/2021	S.ELLIS



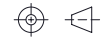
THESE COMMODITIES, TECHNOLOGY OR SOFTWARE WERE EXPORTED FROM THE UNITED STATES IN ACCORDANCE WITH THE EXPORT ADMINISTRATION REGULATIONS. DIVERSION CONTRARY TO U.S. LAW PROHIBITED.

TITLE  
Test Probe SMA Female 2 Hole Flange to Trimmed Lead Cable FM-SR086TB Coax

UNLESS OTHERWISE SPECIFIED LEADING DIMENSIONS ARE INCHES  
DIMENSIONS IN [ ] ARE MILLIMETERS

TOLERANCES:		CABLE LENGTH (L) TOLERANCES:	
.X = ±.2 [5.08]	FRACTIONS ± 1/32	L ≤ 12 [305] = +1 [25] / -0	
.XX = ±.02 [.51]		12 [305] < L ≤ 60 [1524] = +2 [51] / -0	
.XXX = ±.005 [.13]	ANGLES ± 1°	60 [1524] < L ≤ 120 [3048] = +4 [102] / -0	
		120 [3048] < L ≤ 300 [7620] = +6 [152] / -0	
		300 [7620] < L = +5%L / -0	

THIRD-ANGLE PROJECTION



THE INFORMATION AND DESIGN IN THIS DOCUMENT IS THE PROPERTY OF FAIRVIEW MICROWAVE CORPORATION. ALL RIGHTS RESERVED.

SHEET 1 OF 1

ALL DIMENSIONS SHOWN ARE FOR REFERENCE ONLY.

SCALE N/A

SIZE A	CAGE CODE 3FKR5	DRAWN BY K.DANG	ITEM NO. FMCA2394	REV A
-----------	--------------------	--------------------	----------------------	----------

T-Rev.D