

## VITA 67 Mini SMP Female to Right Angle SMP Female Cable FM-P047HF Coax



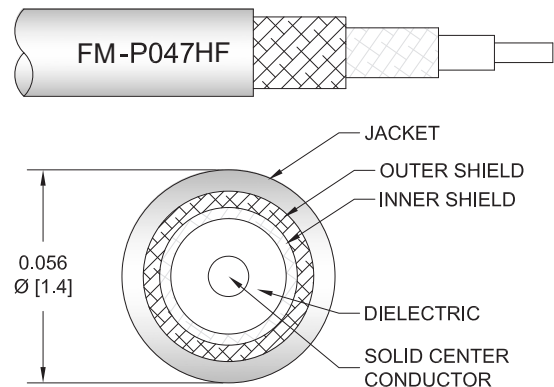
### FMCA9735

#### Configuration

- Connector 1: Mini SMP Female
- Connector 2: SMP Female Right Angle
- Cable Type: FM-P047HF
- Coax Cable Group: 2
- Coax Flex Type: Flexible

#### Features

- Max Frequency 18 GHz
- Shielding Effectivity > 90 dB
- 70% Phase Velocity
- Standard MIL-STD-348 SMPM interface
- Push-on/snap-on mating style for quick installation
- Mini SMP (SMPM) Female compatible with VITA 67 (4-port) and (8-port) blocks
- Mini SMP (SMPM) Male Compatible with VITA 67 (4-port) and (8-port) blocks



#### Applications

- General Purpose
- Laboratory Use
- Scientific research
- High-reliability, high-density for aerospace & defense application
- Ground base station & communication systems, avionics, radar systems

#### Description

The Mini SMP female to Right Angle SMP female cable using FM-P047HF coax, part number FMCA9735, from Fairview Microwave is in-stock and ships same day. This Fairview Mini SMP to SMP cable assembly has a female to female gender configuration with 50 ohm flexible coax. Fairview Microwave's VITA 67 assemblies are high-density, high-performance RF cable assemblies that fit into VITA 67 blocks and attach to the PCB board which makes it ideal for applications where tight bends and flexure is required. The FMCA9735 Mini SMP female to SMP female cable assembly operates to 18 GHz. The right angle SMP interface on the cable allows for easier connections in tight spaces.

Custom versions of most RF cable assemblies can be built and shipped same day. Custom cable assembly lengths can be obtained by specifying the desired length on the web site at time of order or by contacting a sales representative. Other RF cable assembly value added services including connector orientation or clocking, heat shrink booting and labeling are also available. RF testing can also be performed to document the electrical performance of your cable assembly.

#### Electrical Specifications

Description	Minimum	Typical	Maximum	Units
Frequency Range	DC		18	GHz
VSWR			1.25:1	
Velocity of Propagation		70		%
RF Shielding	90			dB

VITA 67 Mini SMP Female to Right Angle  
SMP Female Cable FM-P047HF Coax



**FMCA9735**

**Electrical Specifications**

Description	Minimum	Typical	Maximum	Units
Capacitance		29 [95.14]		pF/ft [pF/m]

**Specifications by Frequency**

Description	F1	F2	F3	F4	F5	Units
Frequency	1	2	4.5	9	18	GHz
Insertion Loss (Typ.)	0.211	0.305	0.472	0.695	1.046	dB/ft
	0.69	1	1.55	2.28	3.43	dB/m

Electrical Specification Notes:  
Values at 25°C, sea level.

**Mechanical Specifications**

**Cable Assembly**

Weight 0.23 lbs [104.33 g]

**Cable**

Cable Type FM-P047HF  
Impedance 50 Ohms  
Inner Conductor Type Solid  
Inner Conductor Material and Plating Copper, Silver  
Dielectric Type FEP  
Shield Layer 1 Silver Plated Copper Tape

**Connectors**

Description	Connector 1	Connector 2
Type	Mini SMP Female	SMP Female Right Angle
Impedance	50 Ohms	50 Ohms
Configuration	Straight	Right Angle
Contact Material and Plating	Beryllium Copper, Gold	Beryllium Copper, Gold
Contact Plating Specification	ASTM B488	MIL-G-45204
Body Material and Plating	Brass, Gold	Beryllium Copper, Gold
Body Plating Specification	ASTM B488	MIL-G-45204

**Environmental Specifications**

**Compliance Certifications** (see [product page](#) for current document)

**Plotted and Other Data**

Notes:

VITA 67 Mini SMP Female to Right Angle  
SMP Female Cable FM-P047HF Coax



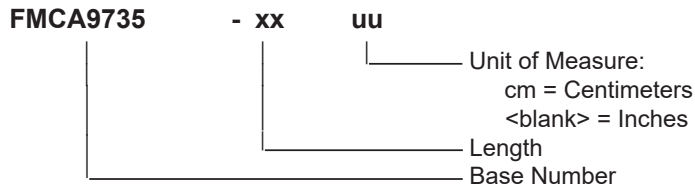
**FMCA9735**

Values at 25°C, sea level.

**Typical Performance Data**

**How to Order**

Part Number Configuration:



Example: FMCA9735-12 = 12 inches long cable  
FMCA9735-100cm = 100 cm long cable

VITA 67 Mini SMP Female to Right Angle SMP Female Cable FM-P047HF Coax from Fairview Microwave is in-stock and available to ship same-day. All of our RF/microwave products are available off-the-shelf from our ISO 9001:2008 certified facilities in Lewisville, Texas. Fairview Microwave is RF on-demand.

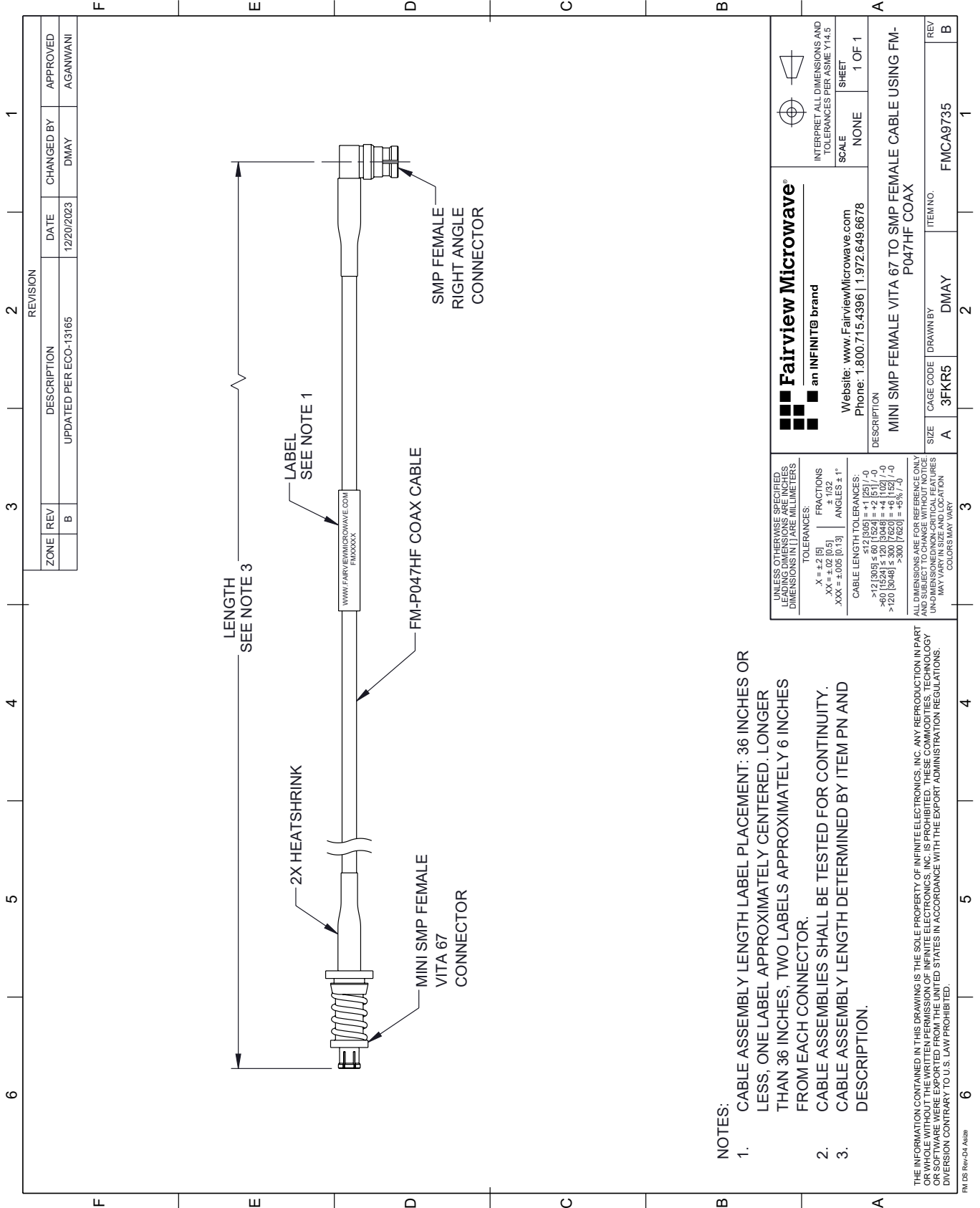
For additional information on this product, please click the following link: [VITA 67 Mini SMP Female to Right Angle SMP Female Cable FM-P047HF Coax FMCA9735](https://www.fairviewmicrowave.com/vita-67-mini-smp-female-to-ra-smp-female-cable-fm-p047hf-coax-fm-ca9735-p.aspx)

URL: <https://www.fairviewmicrowave.com/vita-67-mini-smp-female-to-ra-smp-female-cable-fm-p047hf-coax-fm-ca9735-p.aspx>

The information contained within this document is accurate to the best of our knowledge and representative of the part described herein. It may be necessary to make modifications to the part and/or the documentation of the part in order to implement improvements. Fairview Microwave reserves the right to make such changes as required. Unless otherwise stated, all specifications are nominal. Fairview Microwave does not make any representation or warranty regarding the suitability of the part described herein for any particular purpose, and Fairview Microwave does not assume liability arising out of the use of any part or document.

# FMCA9735 CAD Drawing

VITA 67 Mini SMP Female to Right Angle SMP Female Cable FM-P047HF Coax



REVISION		DATE	CHANGED BY	APPROVED
ZONE	REV	DESCRIPTION		
	B	UPDATED PER ECO-13165	DMAY	AGANWANI

 <b>Fairview Microwave</b> an INFINITE brand		Website: <a href="http://www.FairviewMicrowave.com">www.FairviewMicrowave.com</a> Phone: 1.800.715.4396   1.972.649.6678	INTERPRET ALL DIMENSIONS AND TOLERANCES PER ASME Y14.5 SCALE: NONE SHEET: 1 OF 1
DESCRIPTION: MINI SMP FEMALE VITA 67 TO SMP FEMALE CABLE USING FM-P047HF COAX			
SIZE	CAGE CODE	DRAWN BY	ITEM NO.
A	3FKR5	DMAY	FMCA9735

UNLESS OTHERWISE SPECIFIED, LEADING DIMENSIONS ARE IN INCHES AND DIMENSIONS IN [ ] ARE MILLIMETERS.

TOLERANCES:  
 .X = ±.2 [5]      FRACTIONS ± 1/32  
 .XX = ±.02 [0.5]      ANGLES ± 1°  
 .XXX = ±.005 [0.13]

CABLE LENGTH TOLERANCES:  
 >12 [305] ≤ 60 [1524] = ±.1 [25] / -0  
 >60 [1524] ≤ 120 [3048] = ±.4 [102] / -0  
 >120 [3048] ≤ 300 [7620] = ±.6 [152] / -0

ALL DIMENSIONS ARE FOR REFERENCE ONLY. UNDIMENSIONED/NON-CRITICAL FEATURES MAY VARY IN SIZE AND LOCATION. COLORS MAY VARY.

- NOTES:**
- CABLE ASSEMBLY LENGTH LABEL PLACEMENT: 36 INCHES OR LESS, ONE LABEL APPROXIMATELY CENTERED. LONGER THAN 36 INCHES, TWO LABELS APPROXIMATELY 6 INCHES FROM EACH CONNECTOR.
  - CABLE ASSEMBLIES SHALL BE TESTED FOR CONTINUITY.
  - CABLE ASSEMBLY LENGTH DETERMINED BY ITEM PN AND DESCRIPTION.

THE INFORMATION CONTAINED IN THIS DRAWING IS THE SOLE PROPERTY OF INFINITE ELECTRONICS, INC. ANY REPRODUCTION IN PART OR WHOLE WITHOUT THE WRITTEN PERMISSION OF INFINITE ELECTRONICS, INC. IS PROHIBITED. THESE COMMODITIES, TECHNOLOGY OR SOFTWARE WERE EXPORTED FROM THE UNITED STATES IN ACCORDANCE WITH THE EXPORT ADMINISTRATION REGULATIONS. DIVISION CONTRARY TO U.S. LAW PROHIBITED.

FM\_DS Rev-D4 Alt2b