

TNC Female Bulkhead to RA MMCX
Plug Cable RG-188 Coax



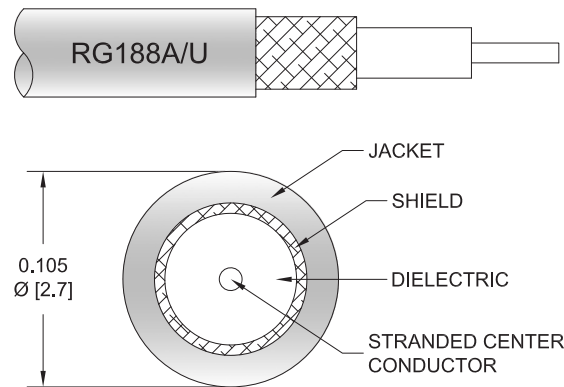
FMCA9991

Configuration

- Connector 1: TNC Female Bulkhead
- Connector 2: MMCX Plug Right Angle
- Cable Type: RG-188
- Coax Flex Type: Flexible

Features

- Max Frequency 3 GHz
- PTFE Jacket



Applications

- General Purpose
- Laboratory Use

Description

The TNC female bulkhead to RA MMCX plug cable using RG188 coax, part number FMCA9991, from Fairview Microwave is in-stock and ships same day. This Fairview TNC to MMCX cable assembly has a female to plug gender configuration with 50 ohm flexible RG-188 coax. Fairview Microwave's flexible RF cable assemblies are ideal for applications where tight bends and continual flexure are required. The FMCA9991 TNC female to MMCX plug cable assembly operates to 3 GHz. The right angle MMCX interface on the RG-188 cable allows for easier connections in tight spaces. Our RF cable assembly with TNC bulkhead interface allows designers to create external connections on their product enclosures, and can be used in a variety of other rack mount and panel mount applications.

Custom versions of most RF cable assemblies can be built and shipped same day. Custom cable assembly lengths can be obtained by specifying the desired length on the web site at time of order or by contacting a sales representative. Other RF cable assembly value added services including connector orientation or clocking, heat shrink booting and labeling are also available. RF testing can also be performed to document the electrical performance of your cable assembly.

Electrical Specifications

| Description | Minimum | Typical | Maximum | Units |
|------------------------|---------|---------|---------|-------|
| Frequency Range | DC | | 3 | GHz |
| VSWR | | | 1.4:1 | |
| Operating Voltage (AC) | | | 335 | Vrms |

Mechanical Specifications

Cable Assembly

Weight 0.063 lbs [28.58 g]

Cable

Cable Type RG-188
Impedance 50 Ohms

TNC Female Bulkhead to RA MMCX
Plug Cable RG-188 Coax



FMCA9991

| | |
|--------------------------------------|----------------------------|
| Inner Conductor Type | Stranded |
| Inner Conductor Material and Plating | Copper Clad Steel, Silver |
| Dielectric Type | PTFE |
| Number of Shields | 1 |
| Shield Layer 1 | Silver Plated Copper Braid |
| Jacket Material | PTFE, White |
| Jacket Diameter | 0.11 in [2.79 mm] |

Connectors

| Description | Connector 1 | Connector 2 |
|--------------------------------------|-----------------------|-----------------------|
| Type | TNC Female Bulkhead | MMCX Plug Right Angle |
| Specification | MIL-STD-348 | MIL-STD-348A |
| Impedance | 50 Ohms | 50 Ohms |
| Configuration | Straight | Right Angle |
| Contact Material and Plating | Phosphor Bronze, Gold | Brass, Gold |
| Contact Plating Specification | | 30 µin minimum |
| Dielectric Type | PTFE | PTFE |
| Outer Conductor Material and Plating | Brass, Nickel | |
| Body Material and Plating | Brass, Nickel | Brass, Gold |
| Body Plating Specification | | 3 µin minimum |
| Hex Size | 5/8 in | |

Environmental Specifications

| | |
|-----------------------------|------------------|
| Operating Range Temperature | -40 to +85 deg C |
|-----------------------------|------------------|

Compliance Certifications (see [product page](#) for current document)

Plotted and Other Data

Notes:

TNC Female Bulkhead to RA MMCX
Plug Cable RG-188 Coax



FMCA9991

Typical Performance Data

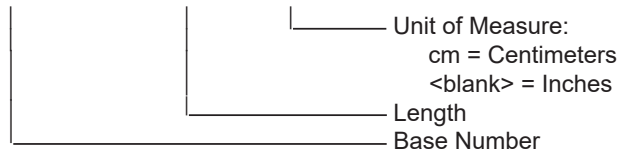
How to Order

Part Number Configuration:

FMCA9991

- xx

uu



Example: FMCA9991-12 = 12 inches long cable
FMCA9991-100cm = 100 cm long cable

TNC Female Bulkhead to RA MMCX Plug Cable RG-188 Coax from Fairview Microwave is in-stock and available to ship same-day. All of our RF/microwave products are available off-the-shelf from our ISO 9001:2008 certified facilities in Lewisville, Texas. Fairview Microwave is RF on-demand.

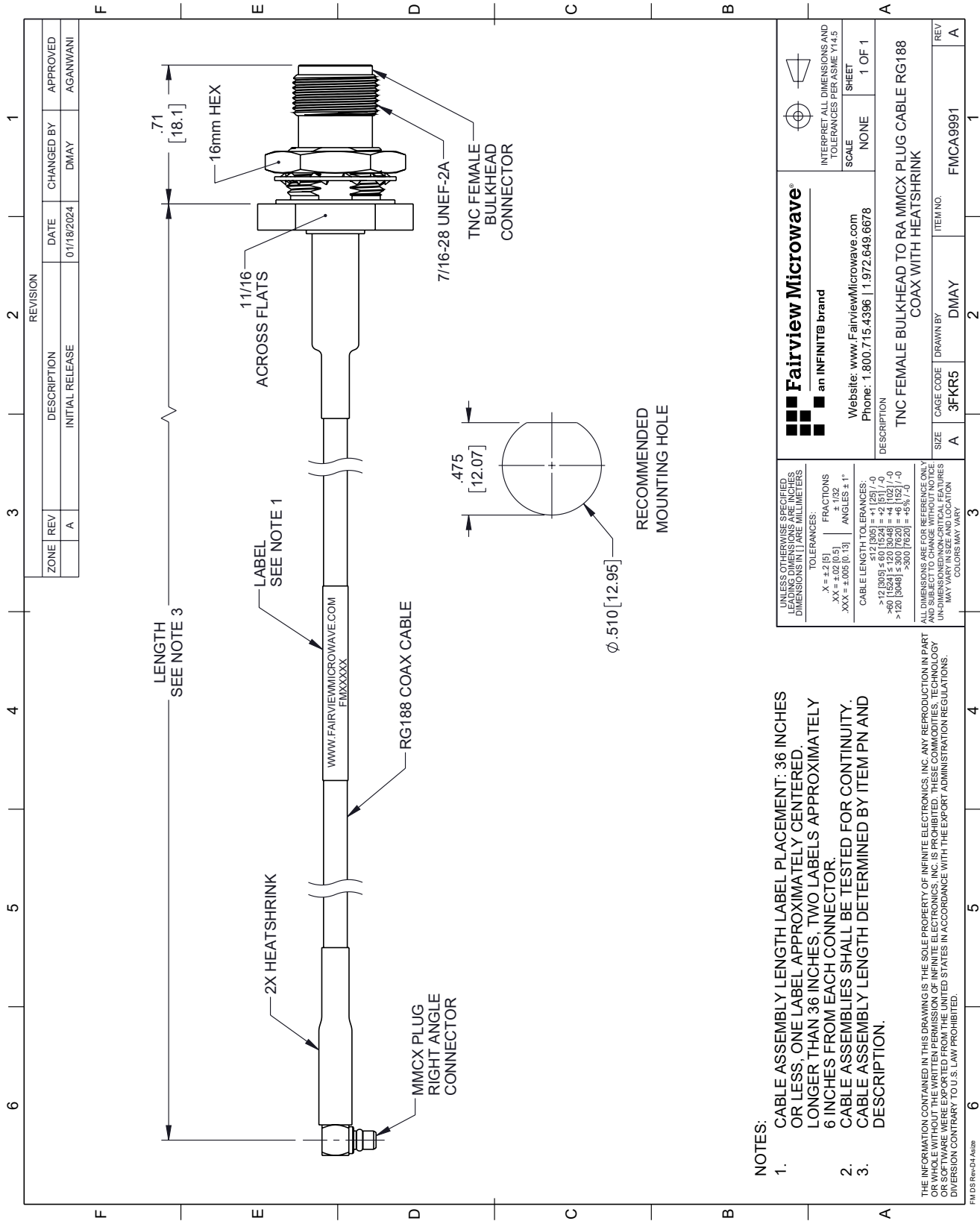
For additional information on this product, please click the following link: [TNC Female Bulkhead to RA MMCX Plug Cable RG-188 Coax FMCA9991](#)

URL: <https://www.fairviewmicrowave.com/tnc-female-bulkhead-to-ra-mmcx-plug-cable-rg-188-coax-fmca9991-p.aspx>

The information contained within this document is accurate to the best of our knowledge and representative of the part described herein. It may be necessary to make modifications to the part and/or the documentation of the part in order to implement improvements. Fairview Microwave reserves the right to make such changes as required. Unless otherwise stated, all specifications are nominal. Fairview Microwave does not make any representation or warranty regarding the suitability of the part described herein for any particular purpose, and Fairview Microwave does not assume liability arising out of the use of any part or document.

FMCA9991 CAD Drawing

TNC Female Bulkhead to RA MMCX Plug Cable RG-188 Coax



NOTES:

1. CABLE ASSEMBLY LENGTH LABEL PLACEMENT: 36 INCHES OR LESS, ONE LABEL APPROXIMATELY CENTERED. LONGER THAN 36 INCHES, TWO LABELS APPROXIMATELY 6 INCHES FROM EACH CONNECTOR.
2. CABLE ASSEMBLIES SHALL BE TESTED FOR CONTINUITY.
3. CABLE ASSEMBLY LENGTH DETERMINED BY ITEM PN AND DESCRIPTION.

THE INFORMATION CONTAINED IN THIS DRAWING IS THE SOLE PROPERTY OF INFINITE ELECTRONICS, INC. ANY REPRODUCTION IN PART OR WHOLE, OR THE USE OF THIS INFORMATION FOR ANY PURPOSES WITHOUT THE WRITTEN PERMISSION OF INFINITE ELECTRONICS, INC. OR SOFTWARE WERE EXPORTED FROM THE UNITED STATES IN ACCORDANCE WITH THE EXPORT ADMINISTRATION REGULATIONS. DIVERSION CONTRARY TO U.S. LAW PROHIBITED.

UNLESS OTHERWISE SPECIFIED, DIMENSIONS IN [] ARE MILLIMETERS

TOLERANCES:
 .X = +.2 (5) FRACTIONS
 .XX = ±.02 (0.5) ± 1/32
 .XXX = ±.005 (0.13) ANGLES ± 1°

CABLE LENGTH TOLERANCES:
 >12 (304.8) ≤ 60 (1524) = ±.125 (-0)
 >60 (1524) ≤ 120 (3048) = ±.100 (-0)
 >120 (3048) ≤ 300 (7620) = ±.5% (-0)

ALL DIMENSIONS ARE FOR REFERENCE ONLY. DIMENSIONS ON CRITICAL FEATURES AND SUBJECT TO CHANGE WITHOUT NOTICE. MAY VARY Slightly IN PRODUCTION. GOLD IS MAX. WALL.



Website: www.FairviewMicrowave.com
 Phone: 1.800.715.4396 | 1.972.649.6678

INTERPRET ALL DIMENSIONS AND TOLERANCES PER ASME Y14.5
 SCALE NONE
 SHEET 1 OF 1

DESCRIPTION
 TNC FEMALE BULKHEAD TO RA MMCX PLUG CABLE RG188 COAX WITH HEATSHRINK

| | | | | |
|-------------|-----------------|------------|------------|----------|
| REV | REV | DATE | CHANGED BY | APPROVED |
| A | A | 01/18/2024 | DMAY | AGANWANI |
| DESCRIPTION | INITIAL RELEASE | | | |
| SIZE | CAGE CODE | DRAWN BY | ITEM NO. | REV |
| A | 3FKR5 | DMAY | FMCA9991 | A |