

78 Ohm TRB 3-Lug Jack 1553 Connector Clamp/Solder Attachment for FMBC-30-02002, TWAC-78-1F2



**FMCN10-06575-242**

**Configuration**

- TRB 3-Lug Jack Connector
- MIL-STD-1553
- 78 Ohms
- Straight Body Geometry
- Connector Interface Types: FMBC-30-02002, TWAC-78-1F2, TRB JACK

**Features**

- Operating Frequency of 500 MHz Max.
- Gold 30 micro inches Plated Beryllium Copper Contact
- Contact plating according to ASTM-B-488
- Twinax Connectivity
- Three lug bayonet coupling

**Applications**

- General Purpose Test
- Custom Cable Assemblies
- Robust Design
- Ease of use
- Use in high shock and vibration environment
- Vehicle High temperature

**Description**

78 Ohm TRB 3-Lug Jack Standard Connector Clamp/Solder Attachment for FMBC-30-02002, TWAC-78-1F2 and TRB JACK Cable, part number FMCN10-06575-242, from Fairview Microwave is in-stock and ships same day. This TRB 3-Lug jack connector operates up to a maximum frequency of 500 MHz. This TRB connector has a bayonet coupling design with a center contact and an intermediate cylindrical contact. The bayonet type can withstand severe shocks and vibrations. Available for many popular twinax cable applications. .

Fairview's 78 ohm TRB 3-Lug jack connector FMCN10-06575-242 datasheet specifications and outline drawing are shown in this PDF below. Our extensive offering of RF, microwave and millimeter wave connectors allows designers to configure and customize their signal connections however they like. From providing an I/O for a board design to creating a custom cable assembly configuration, Fairview Microwave has a connector solution to meet your needs. Fairview Microwave also has the expertise to build your custom cable assemblies for you and ship them same-day.

**Electrical Specifications**

Description	Minimum	Typical	Maximum	Units
Frequency Range	DC		500	MHz
Insertion Loss		0.1		dB
Impedance		78		Ohms

**Mechanical Specifications**

**Size**

Length	1.31 in [33.27 mm]
Width	0.57 in [14.48 mm]
Height	0.57 in [14.48 mm]
Weight	0.043 lbs [19.5 g]

78 Ohm TRB 3-Lug Jack 1553 Connector Clamp/Solder Attachment for FMBC-30-02002, TWAC-78-1F2



**FMCN10-06575-242**

**Material Specifications**

Description	Material	Plating
Contact	Beryllium Copper	Gold 30 micro inches ASTM-B-488
Insulation	Teflon	
Outer Conductor	Phosphor Bronze	ASTM-B-488
Body	Brass	Nickel ASTM-B-733
Gasket	Rubber	
Crimp Sleeve	Brass	Nickel

**Environmental Specifications**

**Temperature**

Operating Range -55 to +200 deg C

**Compliance Certifications** (see [product page](#) for current document)

**Plotted and Other Data**

Notes:

78 Ohm TRB 3-Lug Jack 1553 Connector Clamp/Solder Attachment for FMBC-30-02002, TWAC-78-1F2 from Fairview Microwave is in-stock and available to ship same-day. All of our RF/microwave products are available off-the-shelf from our ISO 9001:2008 certified facilities in Lewisville, Texas. Fairview Microwave is RF on-demand.

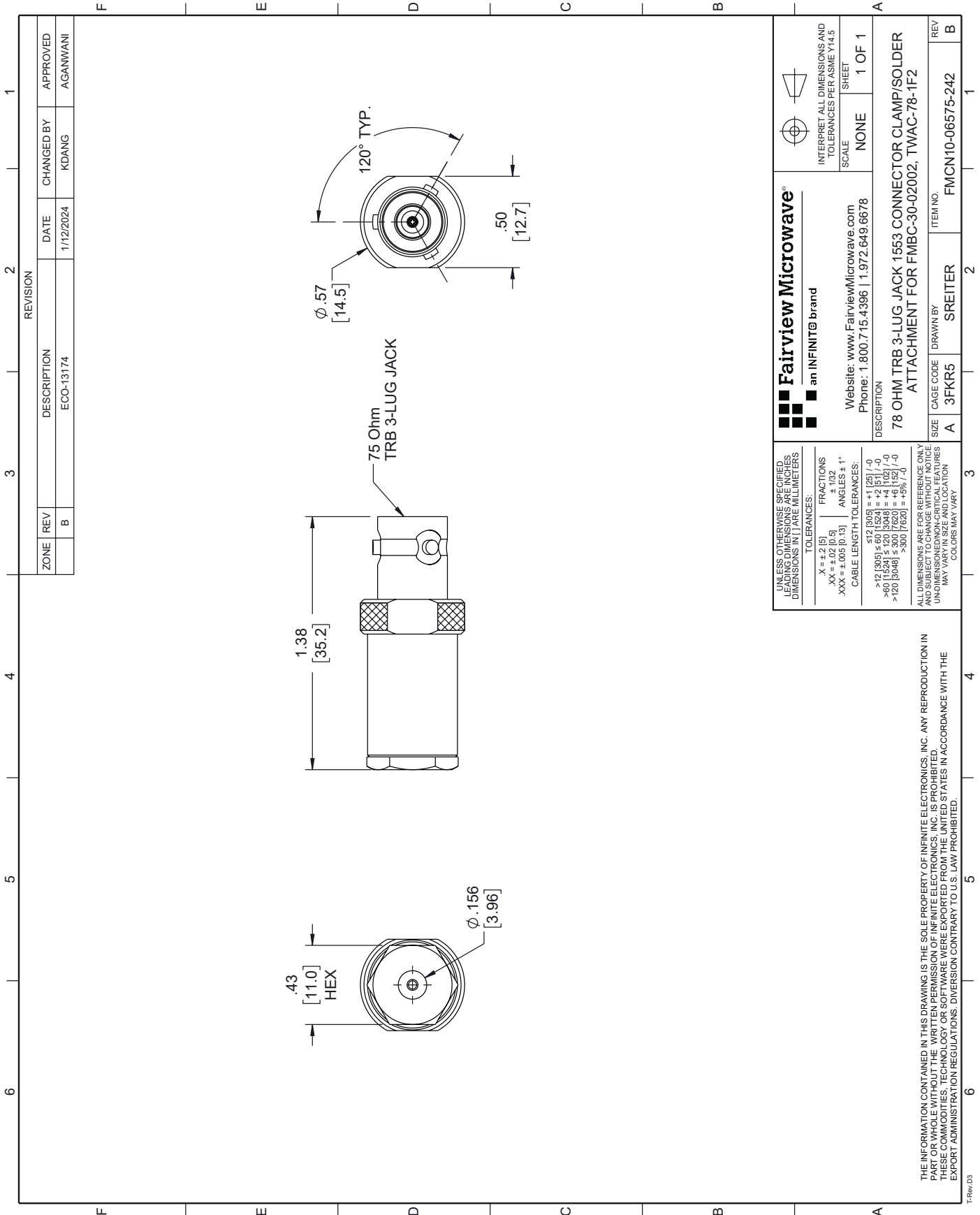
For additional information on this product, please click the following link: [78 Ohm TRB 3-Lug Jack 1553 Connector Clamp/Solder Attachment for FMBC-30-02002, TWAC-78-1F2 FMCN10-06575-242](#)

URL: <https://www.fairviewmicrowave.com/trb-3lug-jack-fmbc-30-02002-twac-78-1f2-trb-jack-connector-fmcn10-06575-242-p.aspx>

The information contained within this document is accurate to the best of our knowledge and representative of the part described herein. It may be necessary to make modifications to the part and/or the documentation of the part in order to implement improvements. Fairview Microwave reserves the right to make such changes as required. Unless otherwise stated, all specifications are nominal. Fairview Microwave does not make any representation or warranty regarding the suitability of the part described herein for any particular purpose, and Fairview Microwave does not assume liability arising out of the use of any part or document.

# FMCN10-06575-242 CAD Drawing

78 Ohm TRB 3-Lug Jack 1553 Connector Clamp/Solder Attachment for FMBC-30-02002, TWAC-78-1F2



ZONE	REV	DESCRIPTION	DATE	CHANGED BY	APPROVED
	B	ECO-13174	1/12/2024	KDANG	AGANWANI

REVISION	DESCRIPTION	DATE	CHANGED BY	APPROVED

<p>Fairview Microwave® an INFINITI® brand</p> <p>Website: <a href="http://www.FairviewMicrowave.com">www.FairviewMicrowave.com</a> Phone: 1.800.715.4396   1.972.649.6678</p>	<p>INTERPRET ALL DIMENSIONS AND TOLERANCES PER ASME Y14.5</p>
	<p>SCALE: NONE</p> <p>SHEET: 1 OF 1</p>
<p>DESCRIPTION: 78 OHM TRB 3-LUG JACK 1553 CONNECTOR CLAMP/SOLDER ATTACHMENT FOR FMBC-30-02002, TWAC-78-1F2</p>	
<p>SIZE: A</p> <p>CAGE CODE: 3FKR5</p> <p>DRAWN BY: SREITER</p>	<p>ITEM NO: FMCN10-06575-242</p> <p>REV: B</p>
<p>UNLESS OTHERWISE SPECIFIED, LEADING DIMENSIONS ARE IN INCHES AND DIMENSIONS IN [ ] ARE IN MILLIMETERS</p> <p>TOLERANCES:</p> <p>X = ±.2 [5]      FRACTIONS ± 1/32</p> <p>.XX = ±.02 [0.5]      ANGLES ± 1°</p> <p>.XXX = ±.005 [0.13]      CABLE LENGTH TOLERANCES:</p> <p>≤12 [305] ±.1 [25] / -0</p> <p>&gt;12 [305] ≤60 [1524] = ±.2 [5] / -0</p> <p>&gt;60 [1524] ≤120 [3048] = ±.4 [102] / -0</p> <p>&gt;120 [3048] ≤300 [7620] = ±.6 [152] / -0</p> <p>&gt;300 [7620] = ±.9% [7.6]</p> <p>ALL DIMENSIONS ARE FOR REFERENCE ONLY AND SUBJECT TO CHANGE WITHOUT NOTICE UNLESS OTHERWISE SPECIFIED. DIMENSIONS MAY VARY IN SIZE AND LOCATION. COLORS MAY VARY.</p>	
<p>THE INFORMATION CONTAINED IN THIS DRAWING IS THE SOLE PROPERTY OF INFINITE ELECTRONICS, INC. ANY REPRODUCTION IN PART OR WHOLE WITHOUT THE WRITTEN PERMISSION OF INFINITE ELECTRONICS, INC. IS PROHIBITED. THESE COMMODITIES, TECHNOLOGY OR SOFTWARE WERE EXPORTED FROM THE UNITED STATES IN ACCORDANCE WITH THE EXPORT ADMINISTRATION REGULATIONS. DIVERSION CONTRARY TO U.S. LAW PROHIBITED.</p> <p>TRRev.03</p>	