

MMBX Plug Snap-On Connector Crimp/Solder Attachment For RG316, RG174 Cable With Male Center Contact

MMBX plug snap-on connector crimp/solder attachment RG316 and RG174 cable FMCN1016 from Fairview Microwave is in-stock and ships same day. This MMBX plug connector operates up to a maximum frequency of 3 GHz and offers excellent VSWR of 1.11:1.

Fairviews's MMBX plug connector FMCN1016 datasheet specifications and outline drawing are shown in this PDF below. Our extensive offering of RF, microwave and millimeter wave connectors allows designers to configure and customize their signal connections however they like. From providing an I/O for a board design to creating a custom cable assembly configuration, Fairview Microwave has a connector solution to meet your needs. Fairview Microwave also has the expertise to build your custom cable connector assemblies for you and ship them same-day.

Electrical Specifications

Description	Min	Typ	Max	Units
Frequency Range	DC		3	GHz
VSWR			1.11:1	
Insertion Loss			0.2	dB
Operating Voltage (DC)			250	Vdc
DWV (DC)			750	Vdc
Insulation Resistance	1,000			MOhms

Electrical Specification Notes:
 MMBX Plug has a male center contact

Mechanical Specifications

Size	
Length	0.57 in [14.48 mm]
Width/Dia.	0.185 in [4.70 mm]
Weight	0.00662 lbs [3 g]
Mating Cycles	100 Cycles

Material Specifications

Description	Material	Plating
Contact	Beryllium Copper	Gold
Insulation	PTFE	
Outer Conductor	Brass	Gold
Body	Brass	Gold



Configuration:

- Snap-On MMBX Plug Connector
- 50 Ohms
- Straight Body Geometry
- RG316, RG174 Interface Type
- Crimp/Solder Attachment

Features:

- Operating Frequency of 3 GHz Max.
- Excellent VSWR of 1.11:1
- Gold Plated Beryllium Copper Contact
- Snap-On connection method
- Small circuit footprint for high density applications
- Allows up to 4.5°/0.7mm Max mechanical misalignment

Applications:

- General Purpose Test
- Custom Cable Assemblies
- Circuit board test points
- Blind mate interconnect applications
- Multi circuit board products
- Board to board applications

Fairview Microwave
 1130 Junction Dr. #100
 Allen, TX 75013
 Tel: 1-800-715-4396 / (972) 649-6678
 Fax: (972) 649-6689
www.fairviewmicrowave.com
sales@fairviewmicrowave.com

Environmental Specifications

Temperature

Operating Range -55 to +155 deg C

Compliance Certifications (see [product page](#) for current document)

Plotted and Other Data

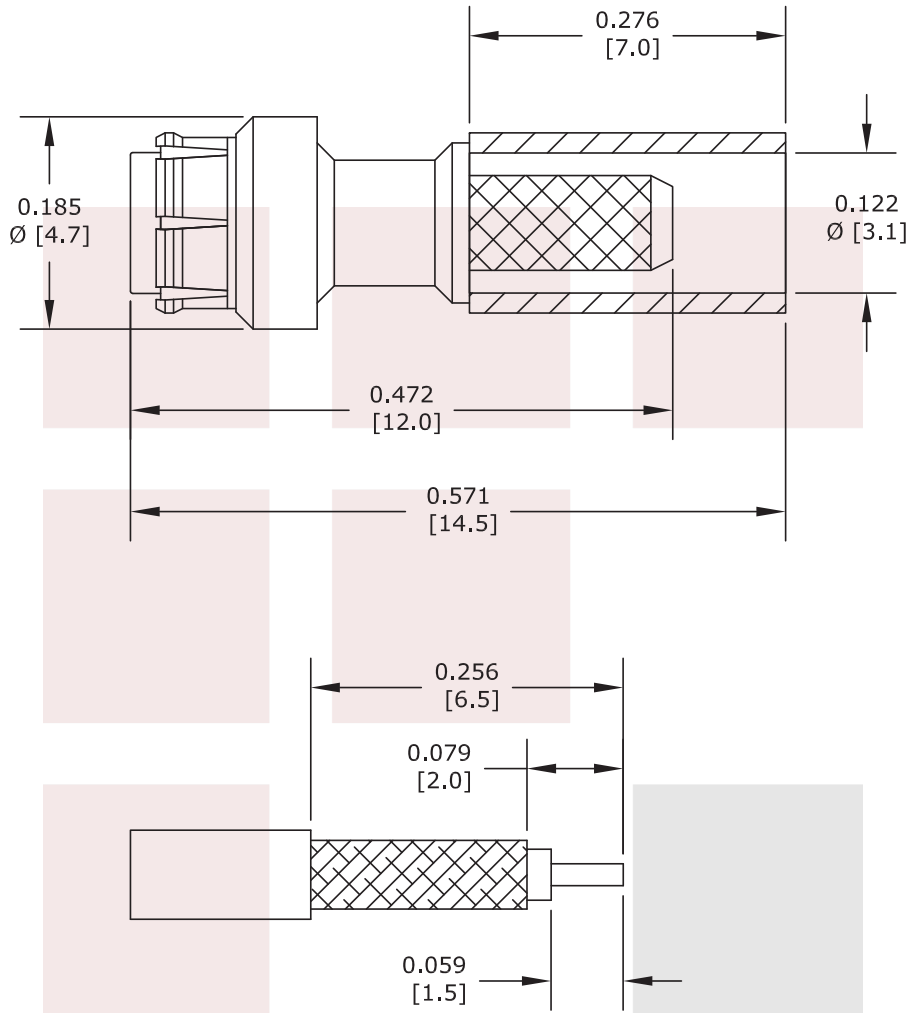
Notes:

MMBX Plug Snap-On Connector Crimp/Solder Attachment For RG316, RG174 Cable With Male Center Contact from Fairview Microwave is in-stock and available to ship same-day. All of our RF/microwave products are available off-the-shelf from our ISO 9001:2008 certified facilities in Allen, Texas. Fairview Microwave is RF on-demand.

For additional information on this product, please click the following link: [MMBX Plug Snap-On Connector Crimp/Solder Attachment For RG316, RG174 Cable With Male Center Contact FMCN1016](#)

URL: <https://www.fairviewmicrowave.com/mmbx-plug-snap-on-rg316-rg174-connector-fmcn1016-p.aspx>

The information contained in this document is accurate to the best of our knowledge and representative of the part described herein. It may be necessary to make modifications to the part and/or the documentation of the part, in order to implement improvements. Fairview Microwave reserves the right to make such changes as required. Unless otherwise stated, all specifications are nominal. Fairview Microwave does not make any representation or warranty regarding the suitability of the part described herein for any particular purpose, and Fairview Microwave does not assume any liability arising out of the use of any part or documentation.



STRIPPING DIMENSIONS

CRIMP SIZE REQUIRED

STANDARD TOLERANCES

.X ±0.2
 .XX ±0.1
 .XXX ±0.05

*STANDARD TOLERANCES APPLY ONLY TO DIMENSIONS IN INCHES

CONTACT: SOLDER
 FERRULE: .128" HEX CRIMP TOOL

FAIRVIEW MICROWAVE INC.		NOTES: 1. UNLESS OTHERWISE SPECIFIED ALL DIMENSIONS ARE NOMINAL. 2. ALL SPECIFICATIONS ARE SUBJECT TO CHANGE WITHOUT NOTICE AT ANY TIME. 3. DIMENSIONS ARE IN INCHES [mm].			
ALLEN, TX 75013 WWW.FAIRVIEWMICROWAVE.COM		DWG NO FMCN1016		CAGE CODE 3FKR5	
TITLE MMBX Plug Snap-On Connector Crimp/Solder Attachment For RG316, RG174 Cable With Male Center Contact		CAD FILE 083016	SHEET	SCALE N/A	SIZE A 2233