

**MMBX Plug Snap-On Connector Solder/Non-Solder Contact Attachment For RG405, FM-SR086CUTN, FM-SR086ALTN Cable With Male Center Contact**

MMBX plug snap-on connector solder/non-solder contact attachment RG405, FM-SR086CUTN and FM-SR086ALTN cable FMCN1018 from Fairview Microwave is in-stock and ships same day. This MMBX plug connector operates up to a maximum frequency of 12.4 GHz and offers excellent VSWR of 1.22:1.

Fairview's MMBX plug connector FMCN1018 datasheet specifications and outline drawing are shown in this PDF below. Our extensive offering of RF, microwave and millimeter wave connectors allows designers to configure and customize their signal connections however they like. From providing an I/O for a board design to creating a custom cable assembly configuration, Fairview Microwave has a connector solution to meet your needs. Fairview Microwave also has the expertise to build your custom cable connector assemblies for you and ship them same-day.

**Electrical Specifications**

| Description            | Min   | Typ | Max    | Units |
|------------------------|-------|-----|--------|-------|
| Frequency Range        | DC    |     | 12.4   | GHz   |
| VSWR                   |       |     | 1.22:1 |       |
| Insertion Loss         |       |     | 0.42   | dB    |
| Operating Voltage (DC) |       |     | 250    | Vdc   |
| DWV (DC)               |       |     | 750    | Vdc   |
| Insulation Resistance  | 1,000 |     |        | MOhms |

Electrical Specification Notes:  
MMBX Plug has a male center contact

**Mechanical Specifications**

| Size          |                    |
|---------------|--------------------|
| Length        | 0.37 in [9.4 mm]   |
| Width/Dia.    | 0.185 in [4.70 mm] |
| Weight        | 0.006 lbs [2.72 g] |
| Mating Cycles | 100 Cycles         |

**Material Specifications**

| Description     | Material         | Plating |
|-----------------|------------------|---------|
| Contact         | Beryllium Copper | Gold    |
| Insulation      | PTFE             |         |
| Outer Conductor | Brass            | Gold    |
| Body            | Brass            | Gold    |



**Configuration:**

- Snap-On MMBX Plug Connector
- 50 Ohms
- Straight Body Geometry
- RG405, FM-SR086CUTN, FM-SR086ALTN Interface Type
- Solder/Non-Solder Contact Attachment

**Features:**

- Operating Frequency of 12.4 GHz Max.
- Excellent VSWR of 1.22:1
- Gold Plated Beryllium Copper Contact
- Snap-On connection method
- Small circuit footprint for high density applications
- Allows up to 4.5°/0.7mm Max mechanical misalignment

**Applications:**

- General Purpose Test
- Custom Cable Assemblies
- Circuit board test points
- Blind mate interconnect applications
- Multi circuit board products
- Board to board applications

Fairview Microwave  
1130 Junction Dr. #100  
Allen, TX 75013  
Tel: 1-800-715-4396 / (972) 649-6678  
Fax: (972) 649-6689  
[www.fairviewmicrowave.com](http://www.fairviewmicrowave.com)  
[sales@fairviewmicrowave.com](mailto:sales@fairviewmicrowave.com)

**Environmental Specifications**

**Temperature**

Operating Range -55 to +155 deg C

**Compliance Certifications** (see [product page](#) for current document)

**Plotted and Other Data**

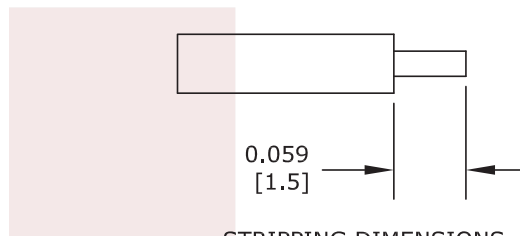
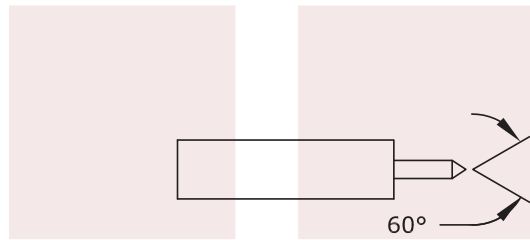
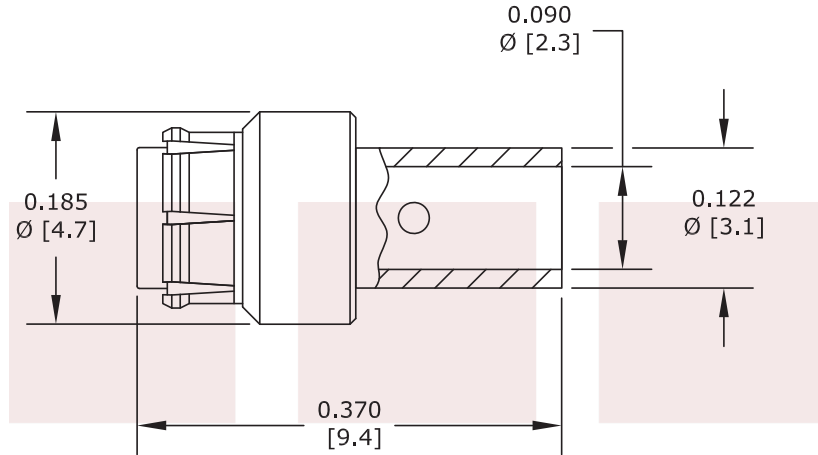
Notes:

MMBX Plug Snap-On Connector Solder/Non-Solder Contact Attachment For RG405, FM-SR086CUTN, FM-SR086ALTN Cable With Male Center Contact from Fairview Microwave is in-stock and available to ship same-day. All of our RF/microwave products are available off-the-shelf from our ISO 9001:2008 certified facilities in Allen, Texas. Fairview Microwave is RF on-demand.

For additional information on this product, please click the following link: [MMBX Plug Snap-On Connector Solder/Non-Solder Contact Attachment For RG405, FM-SR086CUTN, FM-SR086ALTN Cable With Male Center Contact FMCN1018](#)

URL: <https://www.fairviewmicrowave.com/mmbx-plug-snap-on-rg405-fm-sr086cutn-fm-sr086altn-connector-fmcn1018-p.aspx>

The information contained in this document is accurate to the best of our knowledge and representative of the part described herein. It may be necessary to make modifications to the part and/or the documentation of the part, in order to implement improvements. Fairview Microwave reserves the right to make such changes as required. Unless otherwise stated, all specifications are nominal. Fairview Microwave does not make any representation or warranty regarding the suitability of the part described herein for any particular purpose, and Fairview Microwave does not assume any liability arising out of the use of any part or documentation.



**STRIPPING DIMENSIONS**  
**ASSEMBLY PROCEDURES**

| STANDARD TOLERANCES |       |
|---------------------|-------|
| .X                  | ±0.2  |
| .XX                 | ±0.1  |
| .XXX                | ±0.05 |

\*STANDARD TOLERANCES APPLY ONLY TO DIMENSIONS IN INCHES

1. STRIP CABLE AS SHOWN. DO NOT NICK CENTER CONDUCTOR.
2. SLIDE CABLE INTO CONNECTOR INSURING CENTER CONDUCTOR MATES WITH CENTER PIN.
3. OUTER CONDUCTOR BOTTOMS OUT WITH BODY SHOULDER. SOLDER OUTER CONDUCTOR TO BODY.

|  |  |   |       |                        |             |
|--|--|---|-------|------------------------|-------------|
| <b>FAIRVIEW MICROWAVE INC.</b>   |  | NOTES:<br>1. UNLESS OTHERWISE SPECIFIED ALL DIMENSIONS ARE NOMINAL.<br>2. ALL SPECIFICATIONS ARE SUBJECT TO CHANGE WITHOUT NOTICE AT ANY TIME.<br>3. DIMENSIONS ARE IN INCHES [mm]. |       |                        |             |
| ALLEN, TX 75013 WWW.FAIRVIEWMICROWAVE.COM  |  | DWG NO <b>FMCN1018</b>  |       | CAGE CODE <b>3FKR5</b> |             |
| TITLE<br>MMBX Plug Snap-On Connector Solder/Non-Solder Contact Attachment For RG405, FM-SR086CUTN, FM-SR086ALTN Cable With Male Center Contact |  | CAD FILE 083016   | SHEET | SCALE N/A              | SIZE A 2233 |