

**MMBX Jack Snap-On PCB Connector Surface Mount
 Solder Attachment With Female Center Contact**

MMBX jack snap-on with connector solder attachment for Surface Mount, part number FMCN1027TR1, from Fairview Microwave is in-stock and ships same day. This MMBX jack connector operates up to a maximum frequency of 12.4 GHz and offers excellent VSWR of 1.06:1.

Fairview's MMBX jack connector FMCN1027TR1 datasheet specifications and outline drawing are shown in this PDF below. Our extensive offering of RF, microwave and millimeter wave connectors allows designers to configure and customize their signal connections however they like. From providing an I/O for a board design to creating a custom cable assembly configuration, Fairview Microwave has a connector solution to meet your needs. Fairview Microwave also has the expertise to build your custom cable assemblies for you and ship them same-day.

Electrical Specifications

Description	Min	Typ	Max	Units
Frequency Range	DC		12.4	GHz
VSWR			1.06:1	
Insertion Loss			0.42	dB
Operating Voltage (DC)			330	Vdc
DWV (DC)			1,000	Vdc
Insulation Resistance	1,000			MOhms

Electrical Specification Notes:
 MMBX Jack has a female center contact

Mechanical Specifications

Size	
Length	0.24 in [6.1 mm]
Width/Dia.	0.24 in [6.10 mm]
Height	0.21 in [5.33 mm]
Mating Cycles	100 Cycles

Material Specifications

Description	Material	Plating
Contact	Brass	Gold
Insulation	PTFE	
Outer Conductor	Brass	Gold
Body	Brass	Gold



Configuration:

- Snap-On MMBX Jack Connector
- 50 Ohms
- Straight Body Geometry
- Surface Mount Interface Type
- Solder Attachment

Features:

- Operating Frequency of 12.4 GHz Max.
- Excellent VSWR of 1.06:1
- Gold Plated Brass Contact
- Blind Mate Connection
- Small Circuit footprint for high density applications
- Packaging available for pick and place circuit board manufacturing
- Allows up to 4.5°/0.7mm Max mechanical misalignment

Applications:

- General Purpose Test
- PCB Applications
- Circuit board test point
- PCB applications
- Low cost blind mate interconnect
- Board to board applications requiring multiple coaxial connections

Fairview Microwave
 1130 Junction Dr. #100
 Allen, TX 75013
 Tel: 1-800-715-4396 / (972) 649-6678
 Fax: (972) 649-6689
www.fairviewmicrowave.com
sales@fairviewmicrowave.com

Environmental Specifications

Temperature

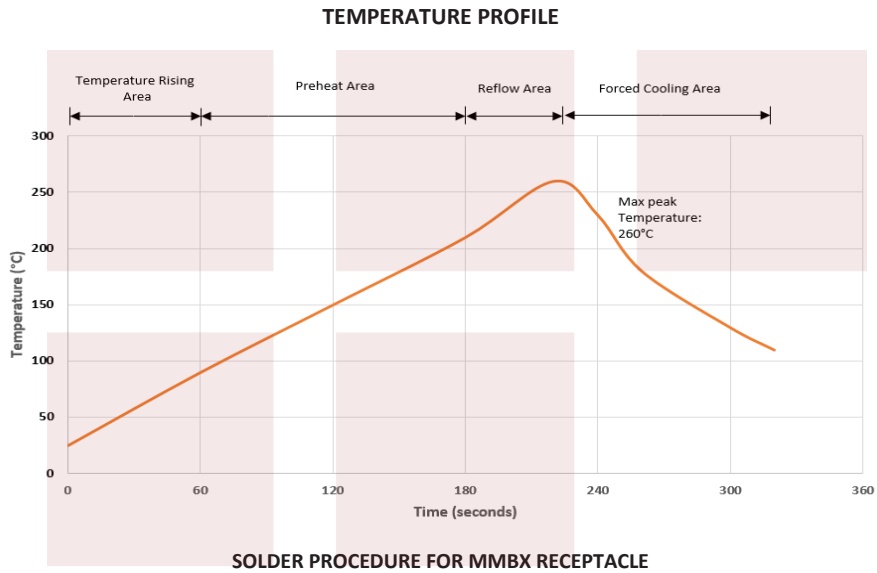
Operating Range -55 to +155 deg C

Compliance Certifications (see [product page](#) for current document)

Plotted and Other Data

Notes:

Typical Performance Data



- 1) Deposit solder paste 'SnAg4Cu0.5' on mounting zone by screen printing application.
 We recommend a low residue flux.
 We advise a thickness of 150µm.
- 2) Placement of the receptacle on the mounting zone with an automatic machine of 'pick and place' type.
 A video camera is recommended for positioning of the component.
 Adhesive agents must not be used on the receptacle.
- 3) This process of soldering has been tested with convection oven. Below please find, the typical profile to use.
- 4) Verification of solder joints and position of the component by visual inspection.

Parameter	Value	Unit
Temperature rising area	1 - 4	°C/sec
Max Peak Temperature	260	°C
Max dwell time @260°C	10	sec
Min dwell time @235°C	20	sec
Max dwell time @235°C	60	sec
Temperature drop in cooling area	-1 to -4	°C/sec
Max dwell time above 100°C	420	sec

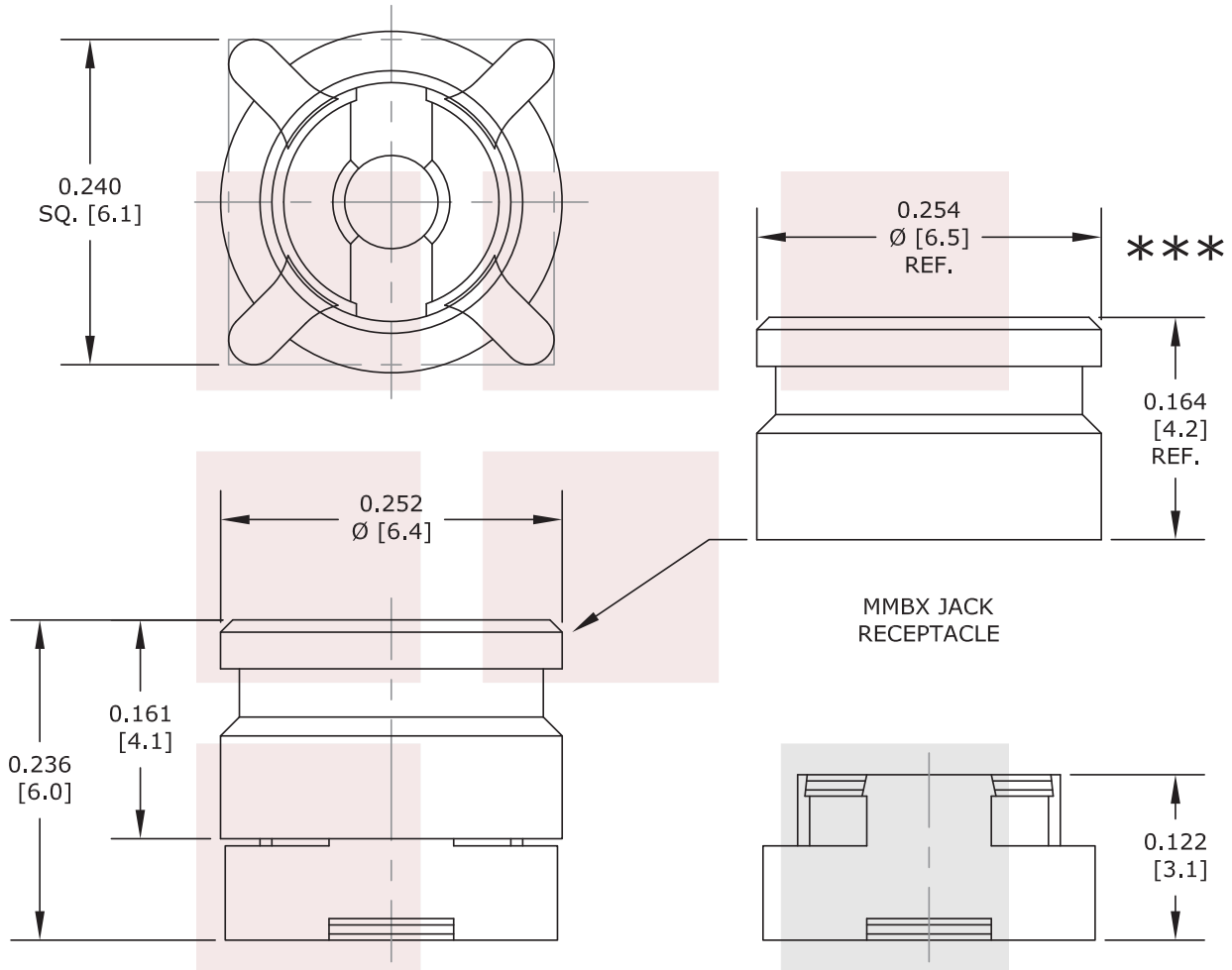
MMBX Jack Snap-On PCB Connector Surface Mount Solder Attachment With Female Center Contact from Fairview Microwave is in-stock and available to ship same-day. All of our RF/microwave products are available off-the-shelf from our ISO 9001:2008 certified facilities in Allen, Texas. Fairview Microwave is RF on-demand.

For additional information on this product, please click the following link: [MMBX Jack Snap-On PCB Connector Surface Mount Solder Attachment With Female Center Contact FMCN1027TR1](#)

URL: <https://www.fairviewmicrowave.com/mmbx-jack-snap-on-surface-mount-pcb-connector-fmcn1027tr1-p.aspx>

The information contained in this document is accurate to the best of our knowledge and representative of the part described herein. It may be necessary to make modifications to the part and/or the documentation of the part, in order to implement improvements. Fairview Microwave reserves the right to make such changes as required. Unless otherwise stated, all specifications are nominal. Fairview Microwave does not make any representation or warranty regarding the suitability of the part described herein for any particular purpose, and Fairview Microwave does not assume any liability arising out of the use of any part or documentation.





STANDARD TOLERANCES	
.X	±0.2
.XX	±0.1
.XXX	±0.05

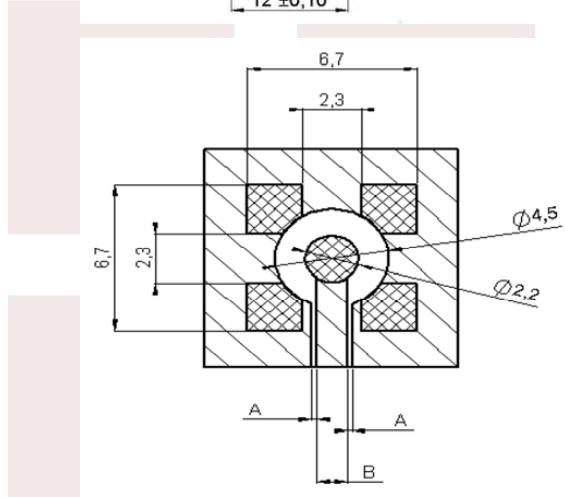
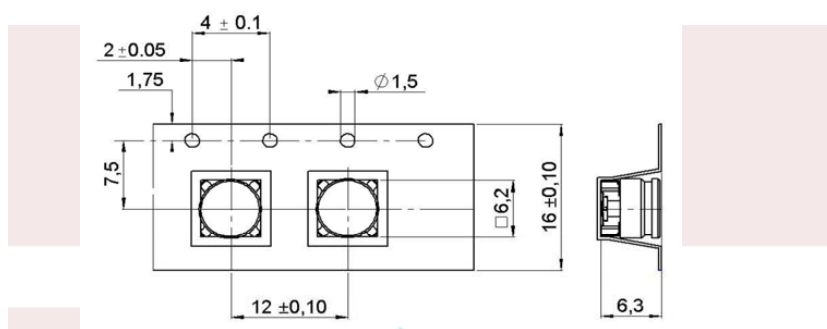
*STANDARD TOLERANCES APPLY ONLY TO DIMENSIONS IN INCHES

*** CAP FOR MANUFACTURING PROCESS

FAIRVIEW MICROWAVE INC. ALLEN, TX 75013 WWW.FAIRVIEWMICROWAVE.COM		NOTES: 1. UNLESS OTHERWISE SPECIFIED ALL DIMENSIONS ARE NOMINAL. 2. ALL SPECIFICATIONS ARE SUBJECT TO CHANGE WITHOUT NOTICE AT ANY TIME. 3. DIMENSIONS ARE IN INCHES [mm].			
TITLE MMBX Jack Snap-On PCB Connector Surface Mount Solder Attachment With Female Center Contact		DWG NO FMCN1027TR1		CAGE CODE 3FKR5	
CAD FILE	101416	SHEET	SCALE	N/A	SIZE A 2233

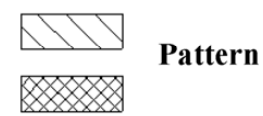


VUE A



PCB

COPLANAR LINE
Pattern and signal are on the same side
The material of PCB is epoxy resin (FR4).
(Er = 4.6)
The solder resist should be printed
Except for the land pattern on the PCB



APPLICATION 75Ω
WITH B = 0.55 mm
0.0216 Inches

APPLICATION 50Ω
WITH B = 1.2 mm
0.0472 Inches

STANDARD TOLERANCES	
.X	±0.2
.XX	±0.1
.XXX	±0.05

*STANDARD TOLERANCES APPLY ONLY TO DIMENSIONS IN INCHES

PCB Thickness [mm] Inches	Coplanar Ligne A [mm] Inches
0.0314 [0.8]	0.0137 [0.350]
0.0393 [1.0]	0.0141 [0.360]
0.0472 [1.2]	0.0143 [0.365]
0.0629 [1.6]	0.0147 [0.375]

PCB Thickness [mm] Inches	Coplanar Ligne A [mm] Inches
0.0314 [0.8]	0.0074 [0.190]
0.0393 [1.0]	0.0078 [0.200]
0.0472 [1.2]	0.0080 [0.205]
0.0629 [1.6]	0.0082 [0.210]

FAIRVIEW MICROWAVE INC.

ALLEN, TX 75013 WWW.FAIRVIEWMICROWAVE.COM

NOTES:
1. UNLESS OTHERWISE SPECIFIED ALL DIMENSIONS ARE NOMINAL.
2. ALL SPECIFICATIONS ARE SUBJECT TO CHANGE WITHOUT NOTICE AT ANY TIME.
3. DIMENSIONS ARE IN INCHES [mm].

TITLE
MMBX Jack Snap-On PCB Connector Surface Mount
Solder Attachment With Female Center Contact

DWG NO	FMCN1027TR1	CAGE CODE	3FKR5		
CAD FILE	101416	SHEET	SCALE	N/A	SIZE A 2233