

**75 Ohm 1.0/2.3 Plug Push-On Connector Crimp/
 Crimp Attachment For BELDEN 1855A Cable**

Fairview Microwave's 75 Ohm DIN 1.0/2.3 connectors have a secure quick-locking push/pull design creating a convenient fastened connection. These 75 Ohm 1.0-2.3 DIN connectors operate to 3 GHz, making them an excellent choice for many data communications and video applications, including 3G video. The small size and push/pull connection method allows for a dense connector-to-connector footprint, saving valuable space in panels and other applications requiring a high number of interconnects. These durable RF connectors also have a mating life of up to 500 connections.

Electrical Specifications

Description	Min	Typ	Max	Units
Frequency Range	DC		3	GHz
VSWR			1.15:1	

Mechanical Specifications

Size	
Length	1.32 in [33.53 mm]
Width/Dia.	0.307 in [7.80 mm]
Weight	0.019 lbs [8.62 g]

Material Specifications

Description	Material	Plating
Contact	Brass	Gold
Insulation	PTFE	
Body	Brass	Nickel
Coupling Nut	Brass	Nickel
Crimp Sleeve	Copper	Nickel



Configuration:

- Push-On 1.0/2.3 Plug Connector
- 75 Ohms
- Straight Body Geometry
- BELDEN 1855A Interface Type
- Crimp/Crimp Attachment

Features:

- Push/Pull connection design
- Secure locking mechanism
- No torque tools required
- Performance to 3 GHz
- 500 Mating cycles

Applications:

- 3G SDI Video
- 75 Ohm Switching Equipment
- Communication systems

Fairview Microwave
 1130 Junction Dr. #100
 Allen, TX 75013
 Tel: 1-800-715-4396 / (972) 649-6678
 Fax: (972) 649-6689
www.fairviewmicrowave.com
sales@fairviewmicrowave.com

Environmental Specifications

Temperature

Operating Range -65 to 165 deg C

Compliance Certifications (see [product page](#) for current document)

Plotted and Other Data

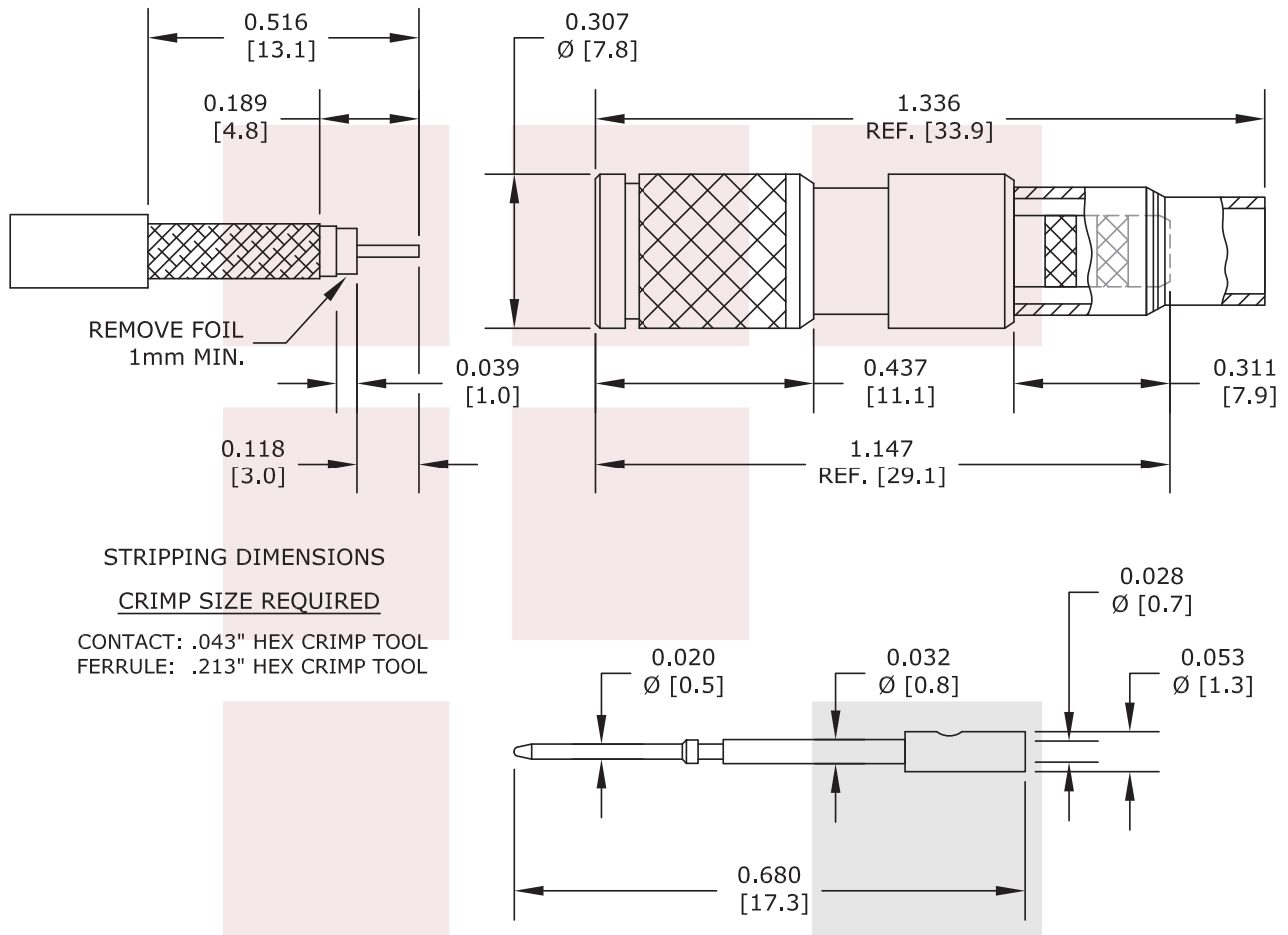
Notes:

75 Ohm 1.0/2.3 Plug Push-On Connector Crimp/Crimp Attachment For BELDEN 1855A Cable from Fairview Microwave is in-stock and available to ship same-day. All of our RF/microwave products are available off-the-shelf from our ISO 9001:2008 certified facilities in Allen, Texas. Fairview Microwave is RF on-demand.

For additional information on this product, please click the following link: [75 Ohm 1.0/2.3 Plug Push-On Connector Crimp/Crimp Attachment For BELDEN 1855A Cable FMCN1111](#)

URL: <https://www.fairviewmicrowave.com/1.0-2.3-plug-push-on-belden-1855a-connector-fmcn1111-p.aspx>

The information contained in this document is accurate to the best of our knowledge and representative of the part described herein. It may be necessary to make modifications to the part and/or the documentation of the part, in order to implement improvements. Fairview Microwave reserves the right to make such changes as required. Unless otherwise stated, all specifications are nominal. Fairview Microwave does not make any representation or warranty regarding the suitability of the part described herein for any particular purpose, and Fairview Microwave does not assume any liability arising out of the use of any part or documentation.



FAIRVIEW MICROWAVE INC. ALLEN, TX 75013 WWW.FAIRVIEWMICROWAVE.COM		NOTES: 1. UNLESS OTHERWISE SPECIFIED ALL DIMENSIONS ARE NOMINAL. 2. ALL SPECIFICATIONS ARE SUBJECT TO CHANGE WITHOUT NOTICE AT ANY TIME. 3. DIMENSIONS ARE IN INCHES [mm].			
TITLE 75 Ohm 1.0/2.3 Plug Push-On Connector Crimp/Crimp Attachment For BELDEN 1855A Cable		DWG NO FMCN1111	CAGE CODE 3FKR5		
CAD FILE 060316	SHEET	SCALE N/A	SIZE A	XXXXX	