

RA MMCX Plug Connector Solder Attachment For RG405 Cable

RA MMCX plug precision connector with solder/solder attachment for RG405, part number FMCN1155, from Fairview Microwave is in-stock and ships same day. This MMCX plug connector operates up to a maximum frequency of 6 GHz. Its right angle body geometry facilitates connections in tight spaces.

Fairview's RA MMCX plug connector FMCN1155 datasheet specifications and outline drawing are shown in this PDF below. Our extensive offering of RF, microwave and millimeter wave connectors allows designers to configure and customize their signal connections however they like. From providing an I/O for a board design to creating a custom cable assembly configuration, Fairview Microwave has a connector solution to meet your needs. Fairview Microwave also has the expertise to build your custom cable assemblies for you and ship them same-day.

Electrical Specifications

Description	Min	Typ	Max	Units
Frequency Range	DC		6	GHz

Mechanical Specifications

Size	
Length	0.32 in [8.13 mm]
Width/Dia.	0.16 in [4.06 mm]
Height	0.32 in [8.13 mm]
Weight	0.004 lbs [1.81 g]

Material Specifications

Description	Material	Plating
Contact	Phosphor Bronze	Gold over Nickel
Insulation	PTFE	
Body	Brass	Gold over Nickel

Environmental Specifications

Compliance Certifications (see [product page](#) for current document)

Plotted and Other Data

Notes:



Configuration:

- MMCX Plug Connector
- 50 Ohms
- Right Angle Body Geometry
- RG405 Interface Type
- Solder/Solder Attachment

Features:

- Operating Frequency of 6 GHz Max.
- Gold over Nickel Plated Phosphor Bronze Contact

Applications:

- General Purpose Test
- Custom Cable Assemblies

Fairview Microwave
 1130 Junction Dr. #100
 Allen, TX 75013
 Tel: 1-800-715-4396 / (972) 649-6678
 Fax: (972) 649-6689
www.fairviewmicrowave.com
sales@fairviewmicrowave.com

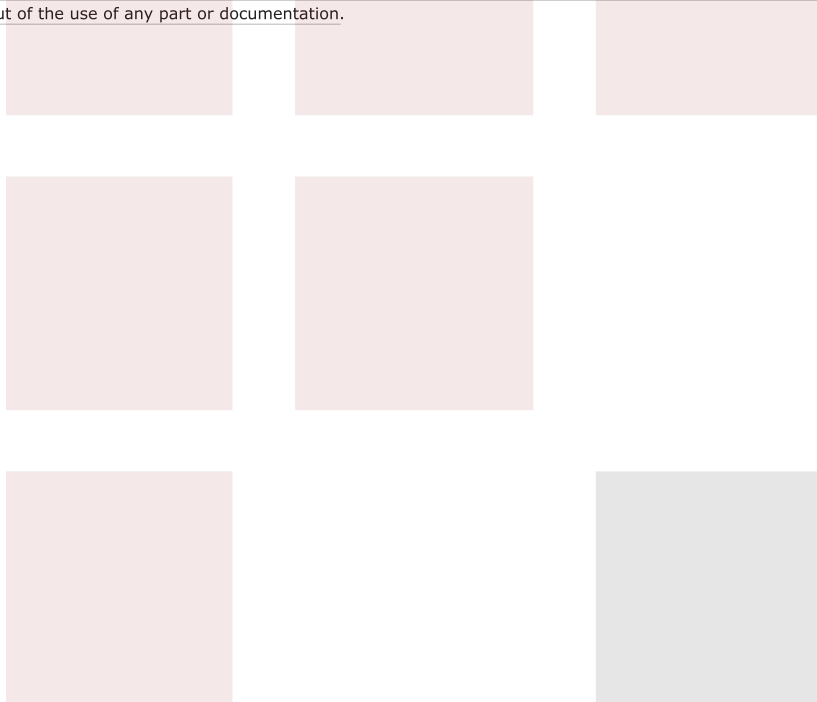
Assembly Instruction

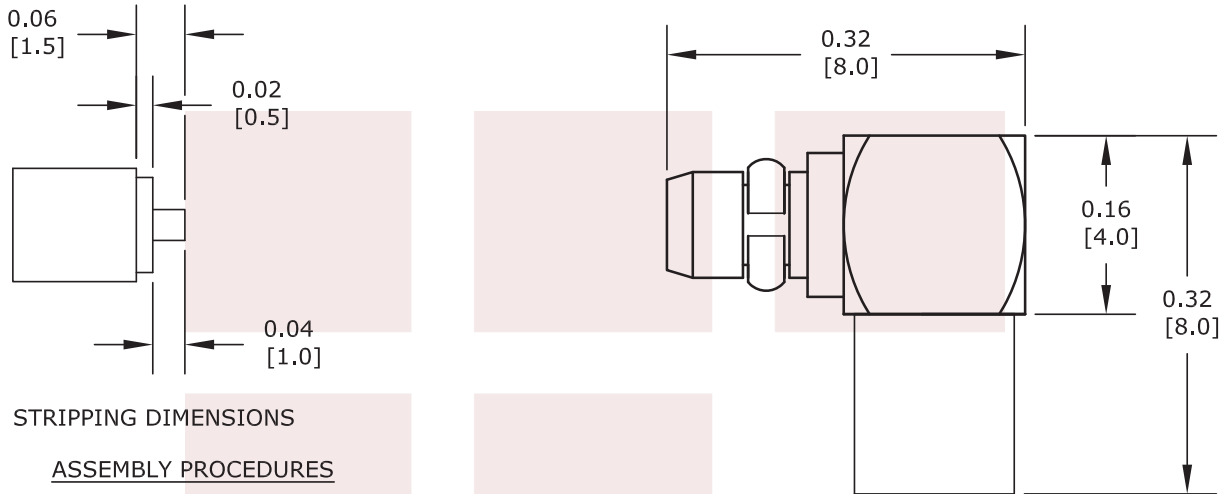
RA MMCX Plug Connector Solder Attachment For RG405 Cable from Fairview Microwave is in-stock and available to ship same-day. All of our RF/microwave products are available off-the-shelf from our ISO 9001:2008 certified facilities in Allen, Texas. Fairview Microwave is RF on-demand.

For additional information on this product, please click the following link: [RA MMCX Plug Connector Solder Attachment For RG405 Cable FMCN1155](#)

URL: <https://www.fairviewmicrowave.com/mmcx-plug-rg405-connector-fmcn1155-p.aspx>

The information contained in this document is accurate to the best of our knowledge and representative of the part described herein. It may be necessary to make modifications to the part and/or the documentation of the part, in order to implement improvements. Fairview Microwave reserves the right to make such changes as required. Unless otherwise stated, all specifications are nominal. Fairview Microwave does not make any representation or warranty regarding the suitability of the part described herein for any particular purpose, and Fairview Microwave does not assume any liability arising out of the use of any part or documentation.





- STRIPPING DIMENSIONS**
- ASSEMBLY PROCEDURES**
1. STRIP CABLE AS SHOWN & TIN CENTER CONDUCTOR.
 2. INSERT CABLE INTO BODY UNTIL OUTER CONDUCTOR BOTTOMS OUT. THE CENTER CONDUCTOR WILL PROTRUDE INTO CONTACT SLOT.
 3. SOLDER CENTER CONDUCTOR INTO SLOT AND OUTER CONDUCTOR TO BODY. INSERT INSULATOR AND PRESS CAP INTO CONNECTOR BODY.

FITS .086
 SEMI-RIGID
 CABLE TYPES

FAIRVIEW MICROWAVE INC. ALLEN, TX 75013 WWW.FAIRVIEWMICROWAVE.COM		NOTES: 1. UNLESS OTHERWISE SPECIFIED ALL DIMENSIONS ARE NOMINAL. 2. ALL SPECIFICATIONS ARE SUBJECT TO CHANGE WITHOUT NOTICE AT ANY TIME. 3. DIMENSIONS ARE IN INCHES [mm].			
TITLE RA MMCX Plug Connector Solder Attachment For RG405 Cable		DWG NO FMCN1155		CAGE CODE 3FKR5	
CAD FILE	042517	SHEET	SCALE	N/A	SIZE A 2233