

## N Female Bulkhead Precision Connector Clamp/ Solder Attachment for LL335i Cable

Type N female bulkhead precision connector with clamp/solder attachment for LL335i, part number FMCN1180, from Fairview Microwave is in-stock and ships same day. This type N female connector operates up to a maximum frequency of 18 GHz and offers excellent VSWR of 1.16:1. Fairview's FMCN1180 bulkhead type N connector enables designers to make external connections on product enclosures, and can be used in a variety of other rack mount and panel mount applications.

Fairview's type N female bulkhead connector FMCN1180 datasheet specifications and outline drawing are shown in this PDF below. Our extensive offering of RF, microwave and millimeter wave connectors allows designers to configure and customize their signal connections however they like. From providing an I/O for a board design to creating a custom cable assembly configuration, Fairview Microwave has a connector solution to meet your needs. Fairview Microwave also has the expertise to build your custom cable assemblies for you and ship them same-day.



### Configuration:

- N Female Connector
- MIL-STD-348
- 50 Ohms
- Straight Body Geometry
- LL335i Interface Type
- Clamp/Solder Attachment
- Bulkhead
- Precision Design

### Electrical Specifications

Description	Min	Typ	Max	Units
Frequency Range	DC		18	GHz
VSWR			1.16:1	
Insertion Loss			0.17	dB
Operating Voltage (AC)			1,000	Vrms
DWV (AC)			2,500	Vrms
High Potential Voltage 5 to 7.5 MHz			1,500	Vrms
Corona Discharge at 70,000 ft			500	Vrms
Insulation Resistance	5,000			MOhms

### Performance by Frequency

Description	F1	F2	F3	F4	F5	Units
Freq. Range	DC to 12.4	12.4 to 18				GHz
VSWR, Max	1.12:1	1.16:1				

Electrical Specification Notes:  
Insertion loss:  $0.04 \times \sqrt{f(\text{GHz})}$  dB max.

### Mechanical Specifications

Size	
Length	1.77 in [44.96 mm]
Width/Dia.	0.875 in [22.23 mm]
Weight	0.065 lbs [29.48 g]

### Features:

- Operating Frequency of 18 GHz Max.
- Excellent VSWR of 1.16:1
- Gold over Nickel Plated Beryllium Copper Contact
- 50  $\mu$ m minimum contact plating

### Applications:

- General Purpose Test
- Rack and Panel Mount Applications
- Precision Test & Measurement
- Custom Cable Assemblies

Fairview Microwave  
301 Leora Ln., Suite 100  
Lewisville, TX 75056  
Tel: 1-800-715-4396 / (972) 649-6678  
Fax: (972) 649-6689  
[www.fairviewmicrowave.com](http://www.fairviewmicrowave.com)  
[sales@fairviewmicrowave.com](mailto:sales@fairviewmicrowave.com)

Mating Cycles 500 Cycles  
Mating Torque 20 to 25 in-lbs [2.26 to 2.83 Nm]

**Material Specifications**

Description	Material	Plating
Contact	Beryllium Copper	Gold over Nickel 50 µin minimum
Insulation	PEI	
Outer Conductor	Passivated Stainless Steel	SAE-AMS-2700
Body	Passivated Stainless Steel	SAE-AMS-2700
Washer	Passivated Stainless Steel	
O-Ring	Silicone	

**Environmental Specifications**

**Temperature**

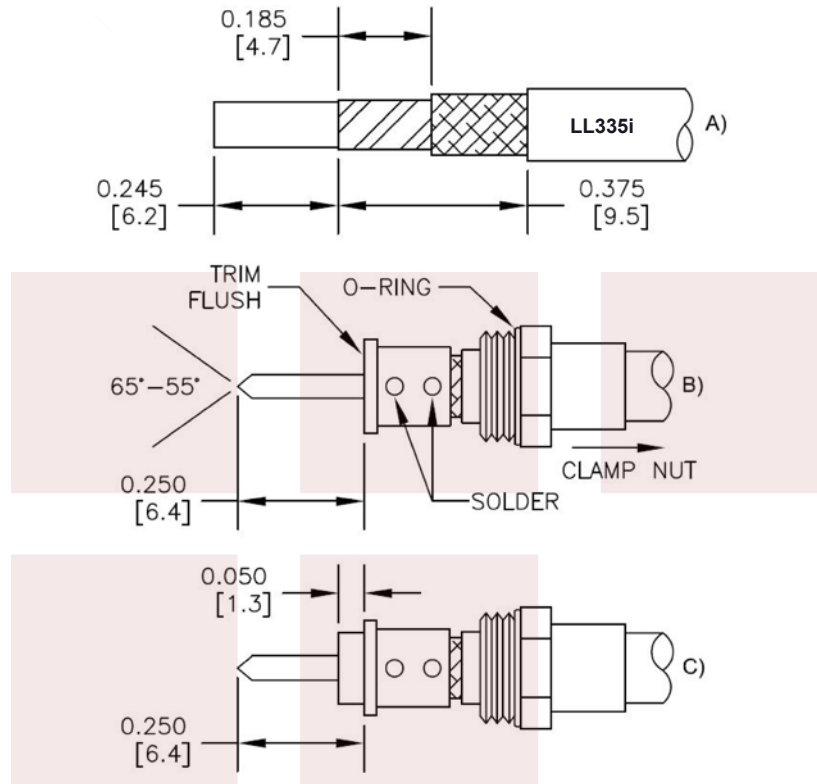
Operating Range -65 to +150 deg C  
Humidity MIL-STD-202, Method 106, No Vibration  
Shock MIL-STD-202, Method 213, Condition I  
Vibration MIL-STD-202, Method 204, Condition D  
Thermal Shock MIL-STD-202, Method 107, Condition B  
Salt Spray MIL-STD-202, Method 101, Condition B (5%)

**Compliance Certifications** (see [product page](#) for current document)

**Plotted and Other Data**

Notes:

**Assembly Instruction**



**ASSEMBLY INSTRUCTION**

1. TRIM CABLE TO EXPOSE DIELECTRIC CORE AND BRAIDS AS SHOWN IN (A)
2. SLIDE CLAMP NUT OVER CABLE AS SHOWN IN (B). INSERT CABLE INTO SOLDER FERRULE UNTIL FWD BRAID SEATS THE SOLDER BOTH CABLE BRAIDS WHERE SHOWN. TRIM CABLE DIELECTRIC FLUSH TO SOLDER FERRULE. POINT CENTER CONDUCTOR AS SHOWN.
3. SLIDE DIELECTRIC STOP ONTO CABLE CENTER CONDUCTOR FLUSH WITH SOLDER FERRULE FACE. AS SHOWN IN (C).
4. SCREW ASSEMBLY INTO BODY & TIGHTEN NUT.

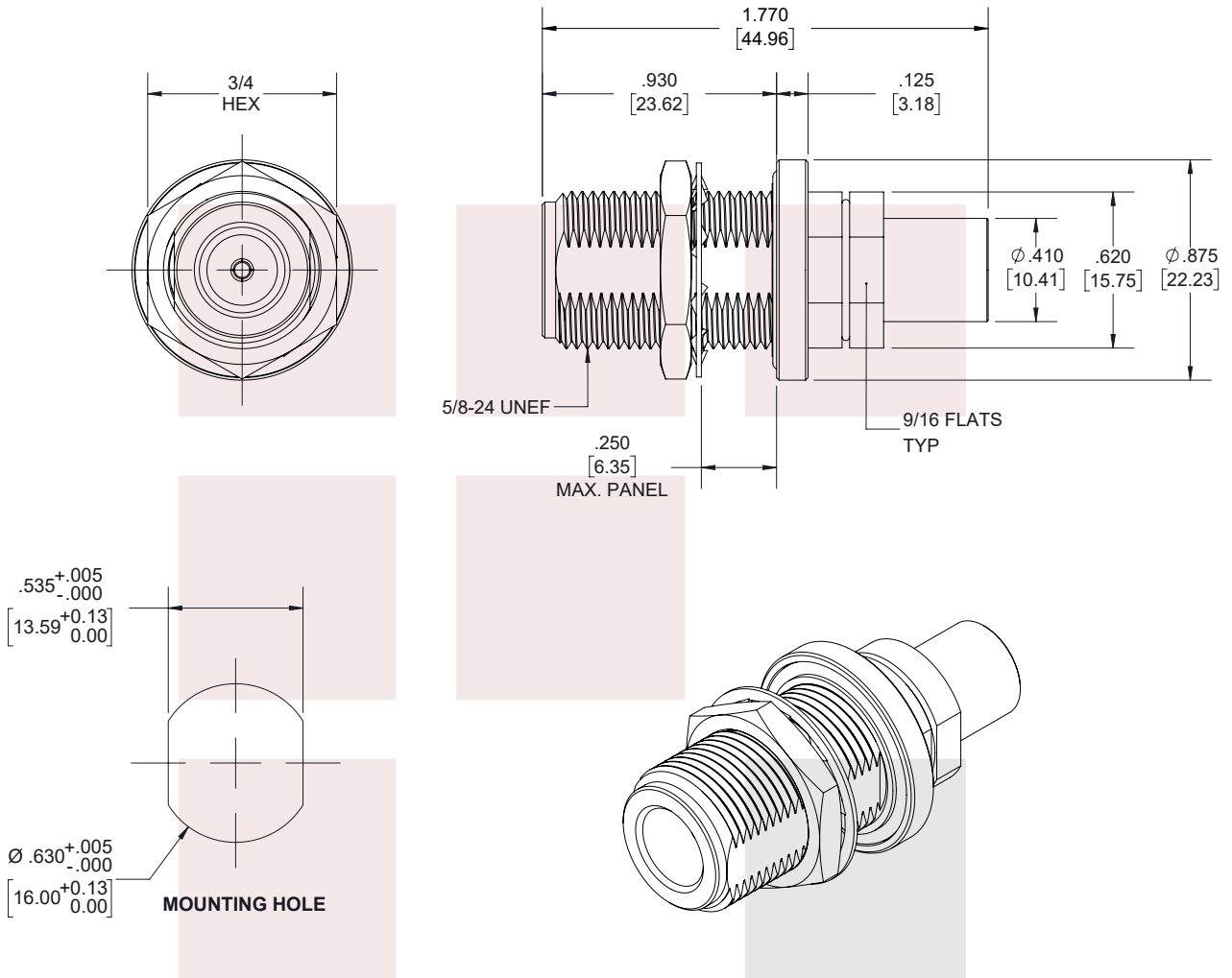
N Female Bulkhead Precision Connector Clamp/Solder Attachment for LL335i Cable from Fairview Microwave is in-stock and available to ship same-day. All of our RF/microwave products are available off-the-shelf from our ISO 9001:2008 certified facilities in Allen, Texas. Fairview Microwave is RF on-demand.

For additional information on this product, please click the following link: [N Female Bulkhead Precision Connector Clamp/Solder Attachment for LL335i Cable FMCN1180](#)

URL: <https://www.fairviewmicrowave.com/n-female-ll335i-connector-fmcn1180-p.aspx>

The information contained in this document is accurate to the best of our knowledge and representative of the part described herein. It may be necessary to make modifications to the part and/or the documentation of the part, in order to implement improvements. Fairview Microwave reserves the right to make such changes as required. Unless otherwise stated, all specifications are nominal. Fairview Microwave does not make any representation or warranty regarding the suitability of the part described herein for any particular purpose, and Fairview Microwave does not assume any liability arising out of the use of any part or documentation.





**STANDARD TOLERANCES**

- .X ±0.2
- .XX ±0.01
- .XXX ±0.005

\*STANDARD TOLERANCES APPLY ONLY TO DIMENSIONS IN INCHES

NOTES:  
1. UNLESS OTHERWISE SPECIFIED ALL DIMENSIONS ARE NOMINAL.  
2. ALL SPECIFICATIONS ARE SUBJECT TO CHANGE WITHOUT NOTICE AT ANY TIME.  
3. DIMENSIONS ARE IN INCHES [mm].

TITLE N Female Bulkhead Precision Connector Clamp/Solder Attachment for LL335i Cable	DWG NO <b>FMCN1180</b>		CAGE CODE <b>3FKR5</b>			
	CAD FILE 06/10/19	SHEET 1 OF 2	SCALE N/A	SIZE A	7361	