

SMP Male Bulkhead Full Detent Connector Solder Attachment For RG405, RG405 Tinned, .086 SR Cable

SMP male full detent bulkhead connector with solder/solder attachment for RG405, RG405 Tinned and .086 SR, part number FMCN1244, from Fairview Microwave is in-stock and ships same day. This SMP male connector operates up to a maximum frequency of 40 GHz and offers good VSWR of 1.7:1. This blind mate connector is ideal for applications without direct visual or tactile access to the connection point, for example, when two circuit boards need to be mated. Fairview's FMCN1244 bulkhead SMP connector enables designers to make external connections on product enclosures, and can be used in a variety of other rack mount and panel mount applications.

Fairview's SMP male bulkhead connector FMCN1244 datasheet specifications and outline drawing are shown in this PDF below. Our extensive offering of RF, microwave and millimeter wave connectors allows designers to configure and customize their signal connections however they like. From providing an I/O for a board design to creating a custom cable assembly configuration, Fairview Microwave has a connector solution to meet your needs. Fairview Microwave also has the expertise to build your custom cable assemblies for you and ship them same-day.

Electrical Specifications

Description	Min	Typ	Max	Units
Frequency Range	DC		40	GHz
VSWR			1.7:1	

Performance by Frequency

Description	F1	F2	F3	F4	F5	Units
Frequency Range	DC to 18	18 to 26.5	26.5 to 40			GHz
VSWR, Max	1.2:1	1.25:1	1.7:1			

Mechanical Specifications

Size	
Length	0.38 in [9.65 mm]
Width/Dia.	0.235 in [5.97 mm]
Weight	0.006 lbs [2.72 g]

Material Specifications

Description	Material	Plating
Contact	Beryllium Copper	Gold MIL-G-45204
Insulation	PEI	
Outer Conductor	Beryllium Copper	Gold MIL-G-45204
Body	Beryllium Copper	Gold MIL-G-45204



Configuration:

- Full Detent SMP Male Connector
- MIL-STD-348
- 50 Ohms
- Straight Body Geometry
- RG405, RG405 Tinned, .086 SR Interface Type
- Solder/Solder Attachment
- Bulkhead

Features:

- Operating Frequency of 40 GHz Max.
- Good VSWR of 1.7:1
- Blind Mate Connector
- Gold Plated Beryllium Copper Contact
- Contact plating according to MIL-G-45204

Applications:

- General Purpose Test
- Rack and Panel Mount Applications
- Custom Cable Assemblies

Fairview Microwave
1130 Junction Dr. #100
Allen, TX 75013
Tel: 1-800-715-4396 / (972) 649-6678
Fax: (972) 649-6689
www.fairviewmicrowave.com
sales@fairviewmicrowave.com

Coupling Nut

Passivated Stainless Steel

AMS-QQ-P-35

Environmental Specifications

Temperature

Operating Range -55 to +125 deg C

Compliance Certifications (see [product page](#) for current document)

Plotted and Other Data

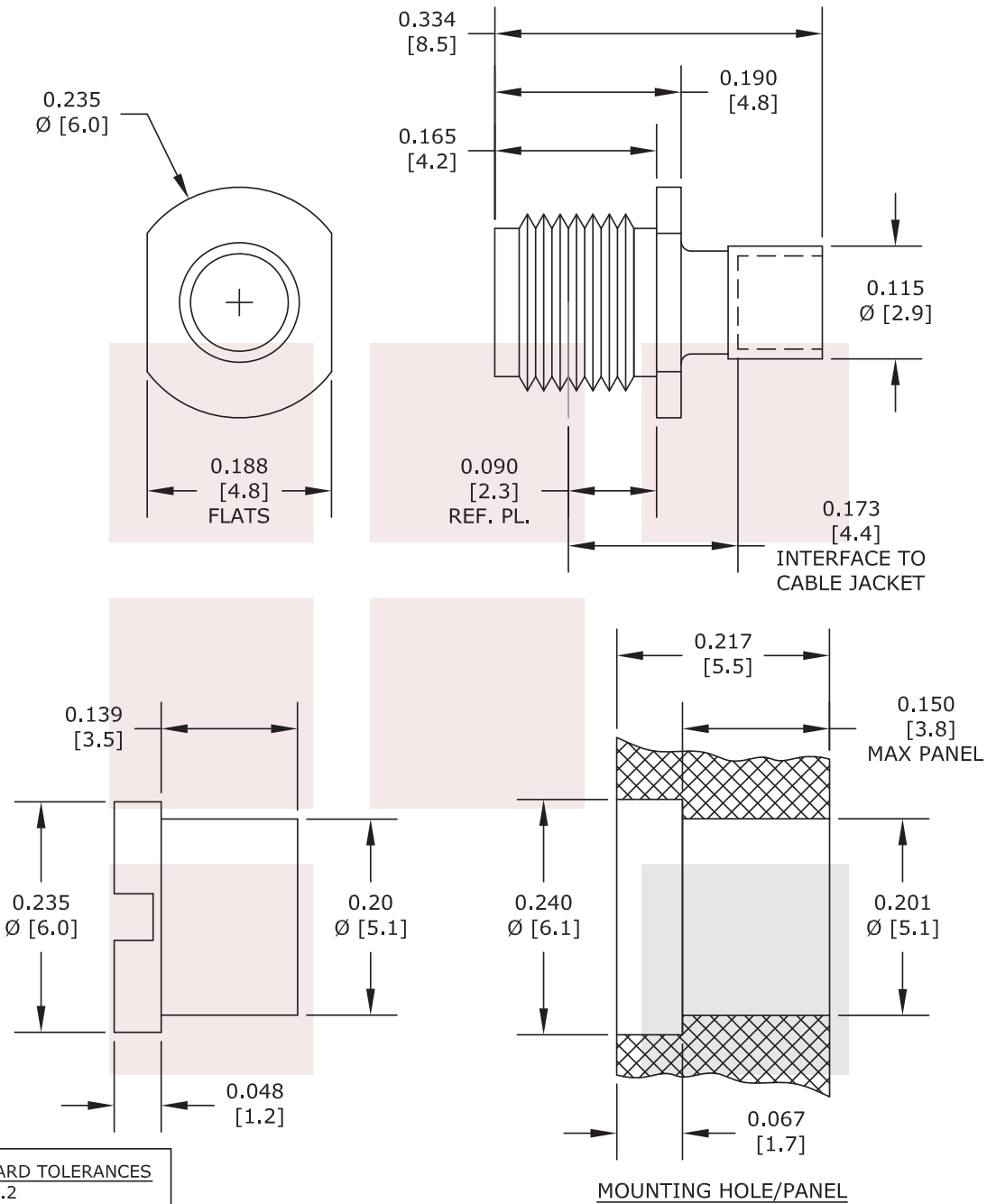
Notes:

SMP Male Bulkhead Full Detent Connector Solder Attachment For RG405, RG405 Tinned, .086 SR Cable from Fairview Microwave is in-stock and available to ship same-day. All of our RF/microwave products are available off-the-shelf from our ISO 9001:2008 certified facilities in Allen, Texas. Fairview Microwave is RF on-demand.

For additional information on this product, please click the following link: [SMP Male Bulkhead Full Detent Connector Solder Attachment For RG405, RG405 Tinned, .086 SR Cable FMCN1244](#)

URL: <https://www.fairviewmicrowave.com/smp-male-full-detent-rg405-rg405-tinned-.086-sr-connector-fmcn1244-p.aspx>

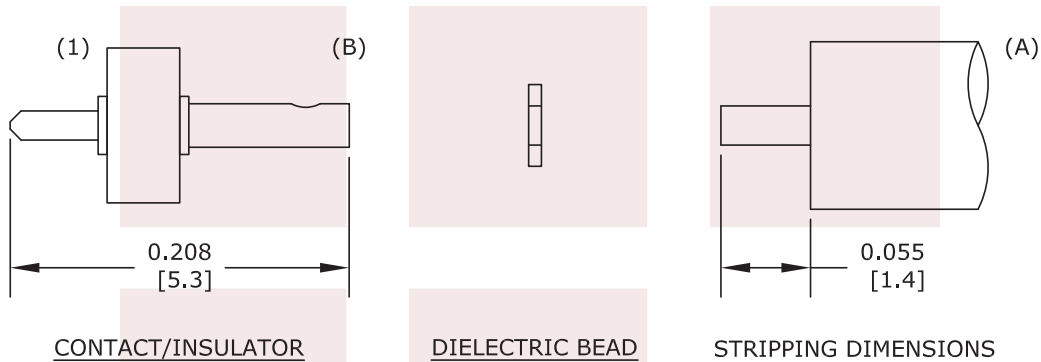
The information contained in this document is accurate to the best of our knowledge and representative of the part described herein. It may be necessary to make modifications to the part and/or the documentation of the part, in order to implement improvements. Fairview Microwave reserves the right to make such changes as required. Unless otherwise stated, all specifications are nominal. Fairview Microwave does not make any representation or warranty regarding the suitability of the part described herein for any particular purpose, and Fairview Microwave does not assume any liability arising out of the use of any part or documentation.



STANDARD TOLERANCES	
.X	±0.2
.XX	±0.1
.XXX	±0.05

*STANDARD TOLERANCES APPLY ONLY TO DIMENSIONS IN INCHES

FAIRVIEW MICROWAVE INC. ALLEN, TX 75013 WWW.FAIRVIEWMICROWAVE.COM		NOTES: 1. UNLESS OTHERWISE SPECIFIED ALL DIMENSIONS ARE NOMINAL. 2. ALL SPECIFICATIONS ARE SUBJECT TO CHANGE WITHOUT NOTICE AT ANY TIME. 3. DIMENSIONS ARE IN INCHES [mm].			
TITLE SMP Male Bulkhead Full Detent Connector Solder Attachment For RG405, RG405 Tinned, .086 SR Cable		DWG NO FMCN1244		CAGE CODE 3FKR5	
CAD FILE	030317	SHEET	SCALE	N/A	SIZE A 2233



ASSEMBLY PROCEDURES

1. STRIP CABLE AS SHOWN IN (A). DO NOT NICK CENTER CONDUCTOR.
2. SLIDE DIELECTRIC BEAD ONTO CENTER CONDUCTOR. SOLDER CONTACT (1) TO CENTER CONDUCTOR AS SHOWN IN (B).
3. INSERT CONTACT INTO CONNECTOR BODY UNTIL IT BOTTOMS OUT.
4. SOLDER CONNECTOR BODY TO CABLE.

STANDARD TOLERANCES

.X ±0.2
 .XX ±0.1
 .XXX ±0.05

*STANDARD TOLERANCES APPLY ONLY TO DIMENSIONS IN INCHES

FAIRVIEW MICROWAVE INC. ALLEN, TX 75013 WWW.FAIRVIEWMICROWAVE.COM		NOTES: 1. UNLESS OTHERWISE SPECIFIED ALL DIMENSIONS ARE NOMINAL. 2. ALL SPECIFICATIONS ARE SUBJECT TO CHANGE WITHOUT NOTICE AT ANY TIME. 3. DIMENSIONS ARE IN INCHES [mm].			
TITLE SMP Male Bulkhead Full Detent Connector Solder Attachment For RG405, RG405 Tinned, .086 SR Cable		DWG NO FMCN1244		CAGE CODE 3FKR5	
CAD FILE	030317	SHEET	SCALE	N/A	SIZE A 2233