

RA SSMC Plug Connector Crimp/Solder Attachment for RG316-DS, RG188-DS Cable

RA SSMC plug connector with crimp/solder attachment for RG316-DS and RG188-DS, part number FMCN1298, from Fairview Microwave is in-stock and ships same day. This SSMC plug connector operates up to a maximum frequency of 12.4 GHz and offers good VSWR of 1.62:1. Its right angle body geometry facilitates connections in tight spaces.

Fairview's RA SSMC plug connector FMCN1298 datasheet specifications and outline drawing are shown in this PDF below. Our extensive offering of RF, microwave and millimeter wave connectors allows designers to configure and customize their signal connections however they like. From providing an I/O for a board design to creating a custom cable assembly configuration, Fairview Microwave has a connector solution to meet your needs. Fairview Microwave also has the expertise to build your custom cable assemblies for you and ship them same-day.

Electrical Specifications

| Description | Min | Typ | Max | Units |
|---------------------------------|-------|-----|--------|-------|
| Frequency Range | DC | | 12.4 | GHz |
| VSWR | | | 1.62:1 | |
| Insertion Loss | | | 0.3 | dB |
| Operating Voltage (AC) | | | 250 | Vrms |
| High Potential Voltage 5 MHz | | | 400 | Vrms |
| Inner Cond. DC Resistance | | | 4 | mOhms |
| Outer Cond. DC Resistance | | | 1 | mOhms |
| Insulation Resistance | 1,000 | | | MOhms |
| RF Leakage | -50 | | | dB |

Mechanical Specifications

| | |
|---------------|------------------------------------|
| Size | |
| Length | 0.421 in [10.69 mm] |
| Width/Dia. | 0.156 in [3.96 mm] |
| Height | 0.33 in [8.38 mm] |
| Weight | 0.07 lbs [31.75 g] |
| Mating Cycles | 500 Cycles |
| Mating Torque | 1.75 to 2 in-lbs [0.20 to 0.23 Nm] |

Material Specifications

| Description | Material | Plating |
|-------------|------------------|---------------------|
| Contact | Beryllium Copper | Gold MIL-G-45204 |
| Insulation | Teflon | |
| Body | Brass | Gold MIL-G-45204 |



Configuration:

- SSMC Plug Connector
- Right Angle Body Geometry
- RG316-DS, RG188-DS Interface Type
- Crimp/Solder Attachment

Features:

- Operating Frequency of 12.4 GHz Max.
- Good VSWR of 1.62:1
- Gold Plated Beryllium Copper Contact
- Contact plating according to MIL-G-45204
- Small SSMC connector form factor (50% smaller than SMA, radially)
- Reliable threaded coupling
- IEC 60169-20 SSMC connector interface
- In stock and ready to ship

Applications:

- General Purpose Test
- Custom Cable Assemblies
- Software defined radio (SDR)
- Avionics
- A/D Modules
- Ultra Wideband Digital Receivers
- Data Acquisition

Fairview Microwave
301 Leora Ln., Suite 100
Lewisville, TX 75056
Tel: 1-800-715-4396 / (972) 649-6678
Fax: (972) 649-6689
www.fairviewmicrowave.com
sales@fairviewmicrowave.com

| | | |
|--------------|------------------|---------------------|
| Coupling Nut | Beryllium Copper | Gold MIL-G-45204 |
| Crimp Sleeve | Brass | Gold MIL-G-45204 |

Environmental Specifications

Temperature

Operating Range

-65 to +165 deg C

Shock

Method 213, Condition B, 75G @6ms @1/2 sine

Vibration

Method 204, Condition D (20G)

Salt Spray

Method 101, Condition B, 5% salt solution

Compliance Certifications (see [product page](#) for current document)

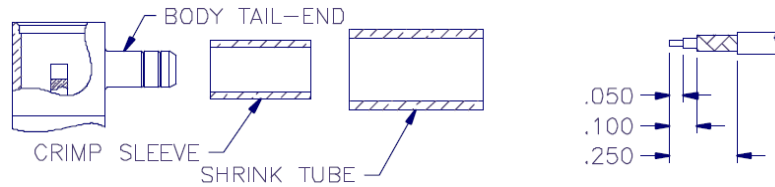
Plotted and Other Data

Notes:

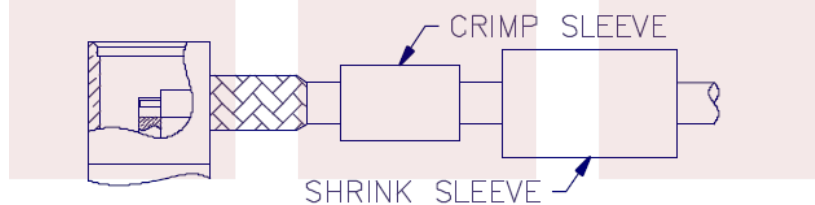


Assembly Instruction

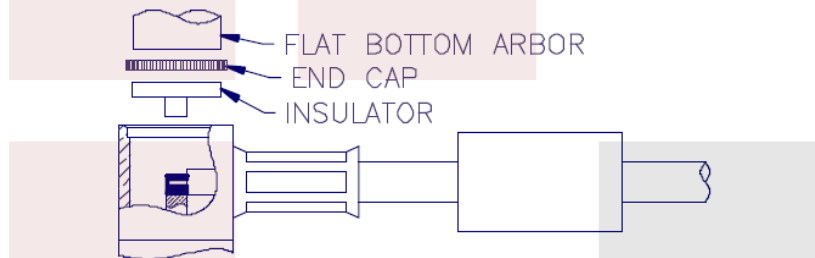
Assembly Instructions



1. TRIM CABLE AS SHOWN ABOVE. TIN END OF CENTER CONDUCTOR.
2. SLIDE CRIMP SLEEVE AND SHRINK TUBE (IF SUPPLIED) OVER CABLE JACKET.
3. FLARE CABLE BRAID OUT SLIGHTLY BY ROTATING DIELECTRIC.



4. INSERT CABLE ASSEMBLY INTO BODY TAIL-END MAKING SURE TAIL GOES OVER DIELECTRIC AND UNDER BRAID. SLIDE IN UNTIL BRAID TOUCHES REAR SURFACE OF BODY.
5. SLIDE CRIMP SLEEVE FORWARD AND USE .151" HEX DIE TO CRIMP SLEEVE TO BRAID.



6. SOLDER CENTER CONDUCTOR OF CABLE TO CONTACT.
7. PLACE INSULATOR AND END CAP INTO CONNECTOR BODY AS SHOWN AND USE A .185" DIAMETER FLAT BOTTOM PUNCH TO PRESS CAP IN PLACE. CAP MUST BE BELOW SURFACE TO SEAT PROPERLY.
8. SLIDE SHRINK TUBE (IF SUPPLIED) OVER CRIMP SLEEVE AND SHRINK TO FIT.

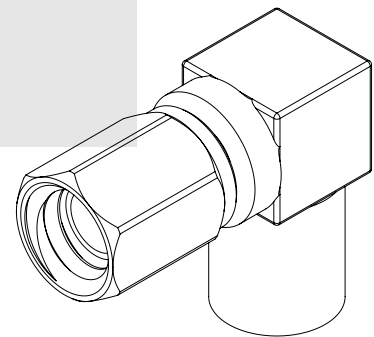
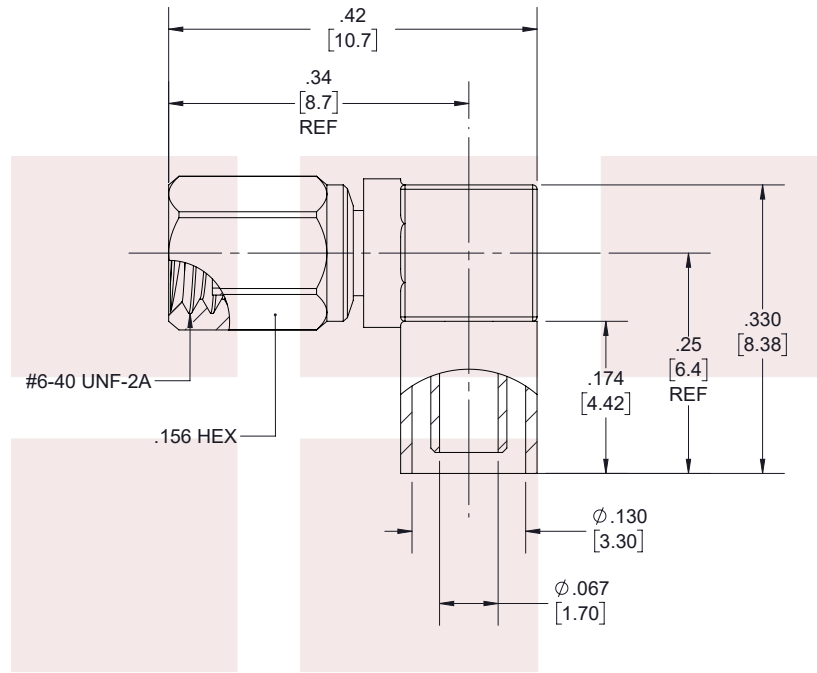
RA SSMC Plug Connector Crimp/Solder Attachment for RG316-DS, RG188-DS Cable from Fairview Microwave is in-stock and available to ship same-day. All of our RF/microwave products are available off-the-shelf from our ISO 9001:2008 certified facilities in Lewisville, Texas. Fairview Microwave is RF on-demand.

For additional information on this product, please click the following link: [RA SSMC Plug Connector Crimp/Solder Attachment for RG316-DS, RG188-DS Cable FMCN1298](#)

URL: <https://www.fairviewmicrowave.com/ssmc-plug-rg316-ds-rg188-ds-connector-fmcn1298-p.aspx>

The information contained in this document is accurate to the best of our knowledge and representative of the part described herein. It may be necessary to make modifications to the part and/or the documentation of the part, in order to implement improvements. Fairview Microwave reserves the right to make such changes as required. Unless otherwise stated, all specifications are nominal. Fairview Microwave does not make any representation or warranty regarding the suitability of the part described herein for any particular purpose, and Fairview Microwave does not assume any liability arising out of the use of any part or documentation.





STANDARD TOLERANCES

.X ±0.2
.XX ±0.01
.XXX ±0.005

*STANDARD TOLERANCES APPLY ONLY TO DIMENSIONS IN INCHES

NOTES:
1. UNLESS OTHERWISE SPECIFIED ALL DIMENSIONS ARE NOMINAL.
2. ALL SPECIFICATIONS ARE SUBJECT TO CHANGE WITHOUT NOTICE AT ANY TIME.
3. DIMENSIONS ARE IN INCHES [mm].

| | | | | | | |
|---|----------------------|-----------------|--------------------|-----------|------|--|
| TITLE RA SSMC Plug Connector Crimp/Solder Attachment for RG316-DS, RG188-DS Cable | DWG NO FMCN1298 | | CAGE CODE 3FKR5 | | | |
| | CAD FILE 09/04/19 | SHEET 1 OF 1 | SCALE N/A | SIZE A | 7361 | |