

## 1.0mm Female PCB Connector End Launch Clamp/ Solder (Captive Contact) Attachment Removable End Launch, 0.35 Width

1.0mm jack removable end launch PCB connector, part number FMCN1338, from Fairview Microwave is in-stock and ships same day. This 1.00mm solderless edge launch connector operates to a maximum frequency of 110 GHz and offers outstanding VSWR of 1.28:1. The low-profile, 0.350 inch square connector body saves substrate space, supporting increased signal density for chip evaluations, SERDES and millimeter wave applications.

Fairview's 1.00mm solderless end launch PCB connector FMCN1338 datasheet specifications and outline drawing are shown in this PDF below. Our extensive offering of RF, microwave and millimeter wave connectors allows designers to configure and customize their signal connections however they like. From delivering increased data rates, signal integrity, or test fixtures, Fairview Microwave has the right PCB edge launch connector solutions to meet your needs. Fairview Microwave also has the expertise to build your custom cable assemblies for you and ship them same-day.

### Electrical Specifications

Description	Min	Typ	Max	Units
Frequency Range	DC		110	GHz
VSWR			1.28:1	
Insertion Loss		0.4		dB
Operating Voltage (AC)			650	Vrms

### Performance by Frequency

Description	F1	F2	F3	F4	F5	Units
Freq. Range	DC to 18	18 to 40	40 to 50	50 to 67	67 to 110	GHz
VSWR, Max	1.15:1	1.15:1	1.18:1	1.25:1	1.28:1	

#### Electrical Specification Notes:

Actual VSWR performance is largely dependent on circuit board design. For optimal results, the connector and circuit launch geometry should be modeled using Electromagnetic Simulation tools.

### Mechanical Specifications

#### Size

Length	0.579 in [14.71 mm]
Width/Dia.	0.35 in [8.89 mm]
Height	0.321 in [8.15 mm]
Weight	0.013 lbs [5.9 g]

### Material Specifications

Description	Material	Plating
Contact	Beryllium Copper	Gold ASTM B488
Insulation	PCTFE	
Outer Conductor	Steel	



### Configuration:

- 1.0mm Female Connector
- 50 Ohms
- Straight Body Geometry
- End Launch Interface Type
- Clamp/Solder (Captive Contact) Attachment

### Features:

- Operating Frequency of 110 GHz Max.
- Good VSWR of 1.28:1
- Gold Plated Beryllium Copper Contact
- Contact plating according to ASTM B488
- Solder or Solderless PCB Contact
- Narrow 0.35 form factor
- Reusable end launch installation

### Applications:

- General Purpose Test
- PCB Applications
- Signal Integrity Measurement
- Coplanar Edge Launches
- Chip Evaluations
- 28 Gbps SERDES
- End Launch Test Fixtures
- Substrate Measurements

Fairview Microwave  
301 Leora Ln., Suite 100  
Lewisville, TX 75056  
Tel: 1-800-715-4396 / (972) 649-6678  
Fax: (972) 649-6689  
[www.fairviewmicrowave.com](http://www.fairviewmicrowave.com)  
[sales@fairviewmicrowave.com](mailto:sales@fairviewmicrowave.com)

---

Body

Brass

Nickel  
AMS 2404B

---

Mechanical Specification Notes:  
Launch Pin is Gold Plated Beryllium Copper

**Environmental Specifications**

**Temperature**

Operating Range -55 to +165 deg C

**Compliance Certifications** (see [product page](#) for current document)

**Plotted and Other Data**

Notes:

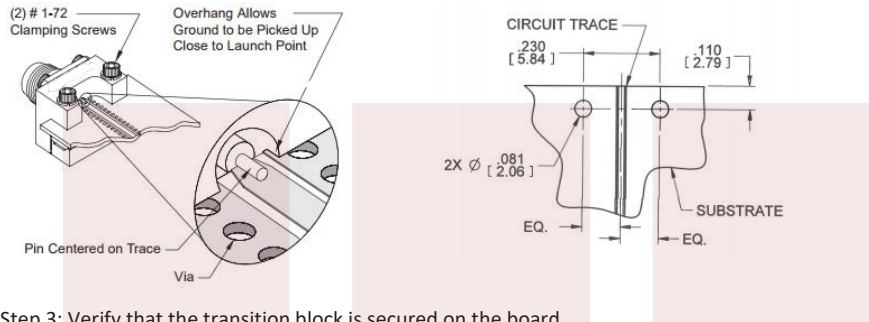


**Assembly Instruction**

**End Launch Connectors - Installation Procedure**

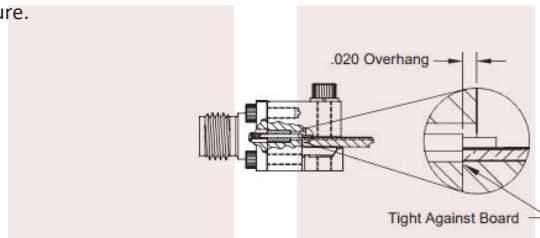
Step 1: Mount the end launch connector, FMCN1338, in the desired position on the board.

Step 2: Center the connector on the trace.



Step 3: Verify that the transition block is secured on the board.

Step 4: Tighten the 1-72 mounting screws to your boards suggested torque or until the connector is secure.



(Steps 5 – 7 optional, depending on application)

Step 5: If soldering the launch pin to the trace, flow solder the entire length of the contact area.

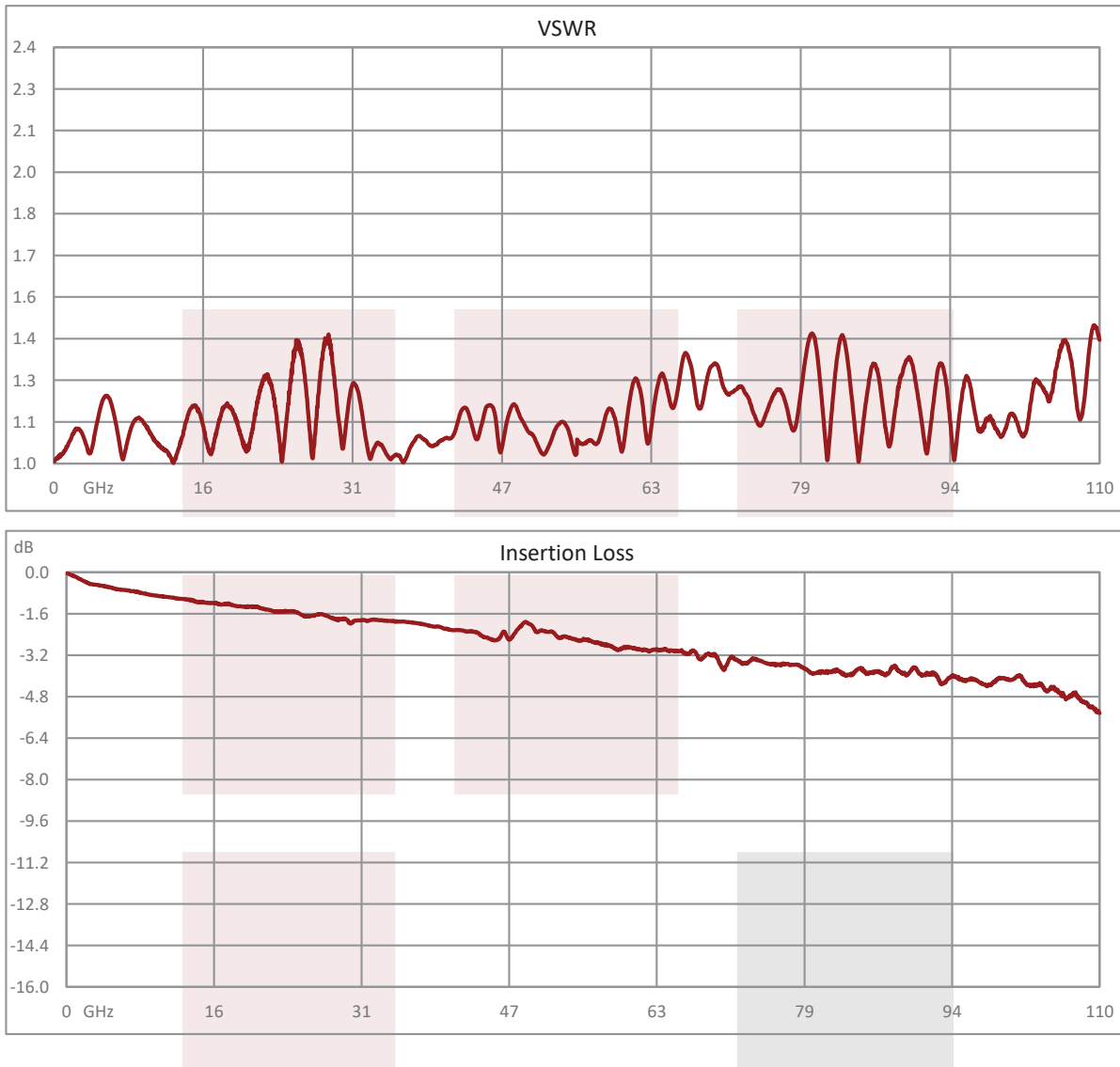
Step 6: To avoid performance mistakes, remove excess solder.

Step 7: Clean any residue from around the solder joint.



*Example Assembly*

**Typical Performance Data**

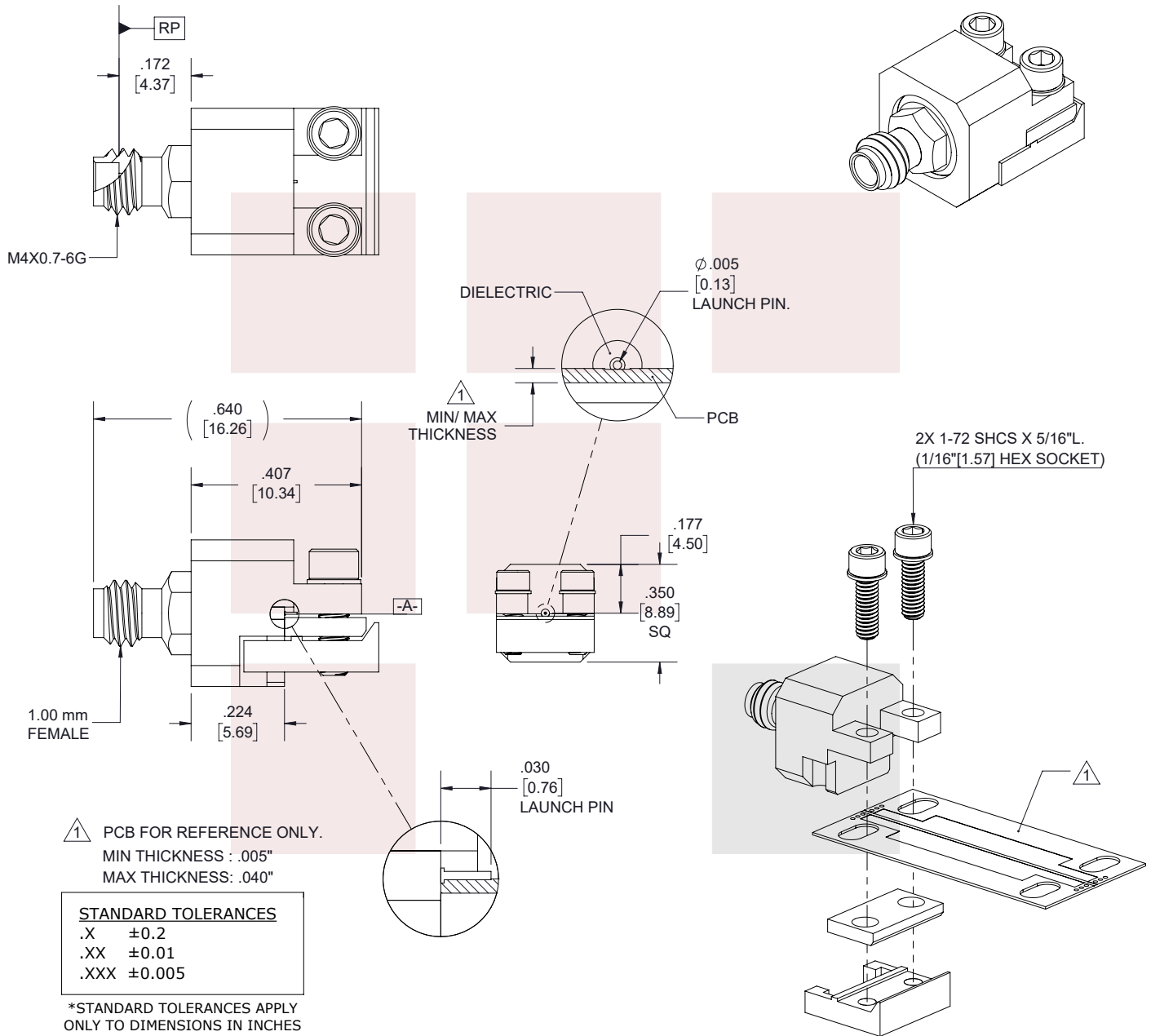


1.0mm Female PCB Connector End Launch Clamp/Solder (Captive Contact) Attachment Removable End Launch, 0.35 Width from Fairview Microwave is in-stock and available to ship same-day. All of our RF/microwave products are available off-the-shelf from our ISO 9001:2008 certified facilities in Lewisville, Texas. Fairview Microwave is RF on-demand.

For additional information on this product, please click the following link: [1.0mm Female PCB Connector End Launch Clamp/Solder \(Captive Contact\) Attachment Removable End Launch, 0.35 Width FMCN1338](#)

URL: <https://www.fairviewmicrowave.com/1.0mm-female-end-launch-pcb-connector-fmcn1338-p.aspx>

The information contained in this document is accurate to the best of our knowledge and representative of the part described herein. It may be necessary to make modifications to the part and/or the documentation of the part, in order to implement improvements. Fairview Microwave reserves the right to make such changes as required. Unless otherwise stated, all specifications are nominal. Fairview Microwave does not make any representation or warranty regarding the suitability of the part described herein for any particular purpose, and Fairview Microwave does not assume any liability arising out of the use of any part or documentation.



## FAIRVIEW MICROWAVE INC.

ALLEN, TX 75013 WWW.FAIRVIEWMICROWAVE.COM

### NOTES:

1. UNLESS OTHERWISE SPECIFIED ALL DIMENSIONS ARE NOMINAL.
2. ALL SPECIFICATIONS ARE SUBJECT TO CHANGE WITHOUT NOTICE AT ANY TIME.
3. DIMENSIONS ARE IN INCHES [mm].

### TITLE

1.0mm Female PCB Connector End Launch Clamp/  
Solder (Captive Contact) Attachment Removable End  
Launch, 0.35 Width

### DWG NO

FMCN1337

### CAGE CODE

3FKR5

CAD FILE 102617

SHEET 1 OF 1

SCALE N/A

SIZE A

7361