

### FAKRA Plug Connector Crimp/Solder Attachment for RG174, RG316, RG188, .100 inch, FM-B100, FM-C100, LMR-100, White Color

FAKRA plug connector with crimp/solder attachment for RG174, RG316, RG188, .100 inch, FM-B100, FM-C100 and LMR-100, white color, part number FMCN1349B, from Fairview Microwave is in-stock and ships same day. This FAKRA plug connector operates up to a maximum frequency of 4 GHz and offers good VSWR of 1.3:1.

Fairview's FAKRA plug connector FMCN1349B datasheet specifications and outline drawing are shown in this PDF below. Our extensive offering of RF, microwave and millimeter wave connectors allows designers to configure and customize their signal connections however they like. From providing an I/O for a board design to creating a custom cable assembly configuration, Fairview Microwave has a connector solution to meet your needs. Fairview Microwave also has the expertise to build your custom cable assemblies for you and ship them same-day.

#### Electrical Specifications

Description	Min	Typ	Max	Units
Frequency Range	DC		4	GHz
VSWR			1.3:1	
Operating Voltage (AC)			335	Vrms
DWV (AC)			800	Vrms
Inner Cond. DC Resistance			6	mOhms
Outer Cond. DC Resistance			2.5	mOhms
Insulation Resistance	1,000			MOhms

#### Mechanical Specifications

Size	
Length	0.887 in [22.53 mm]
Width/Dia.	0.37 in [9.40 mm]
Height	0.433 in [11 mm]

#### Material Specifications

Description	Material	Plating
Contact	Phosphor Bronze	Gold
Insulation	PTFE	
Outer Conductor	Brass	Nickel
Body	Plastic	

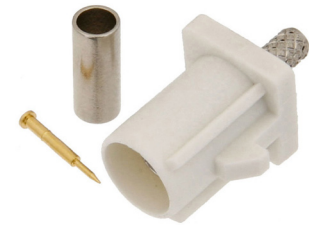
#### Environmental Specifications

Temperature	
Operating Range	-40 to +85 deg C

**Compliance Certifications** (see [product page](#) for current document)

#### Plotted and Other Data

Notes:



#### Configuration:

- FAKRA Plug Connector
- 50 Ohms
- Straight Body Geometry
- RG174, RG316, RG188, .100 inch, FM-B100, FM-C100, LMR-100 Interface Type
- Crimp/Solder Attachment

#### Features:

- Operating Frequency of 4 GHz Max.
- Good VSWR of 1.3:1
- Gold Plated Phosphor Bronze Contact

#### Applications:

- General Purpose Test
- Custom Cable Assemblies

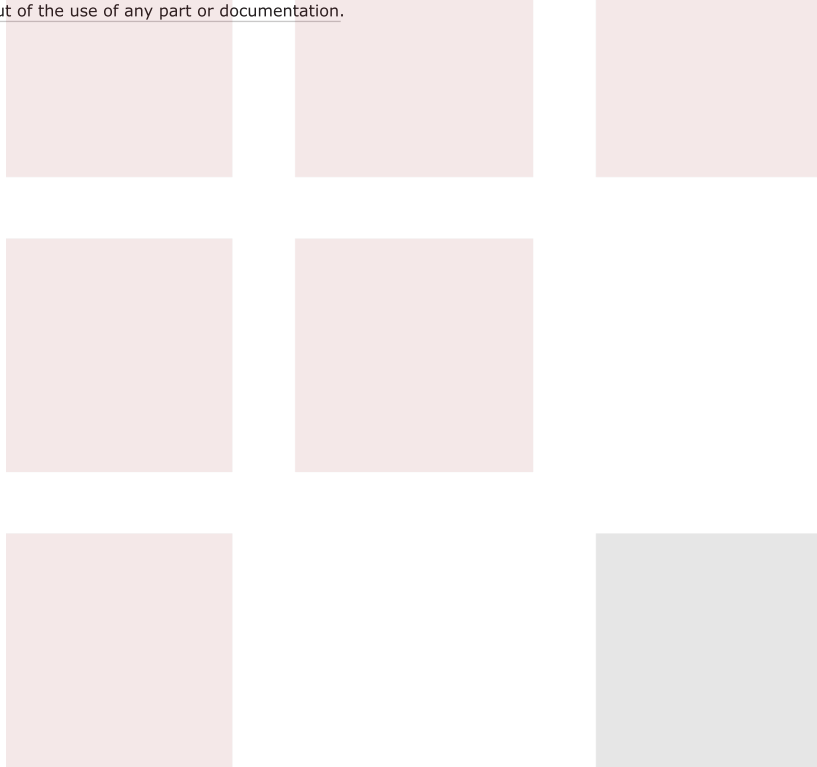
Fairview Microwave  
301 Leora Ln., Suite 100  
Lewisville, TX 75056  
Tel: 1-800-715-4396 / (972) 649-6678  
Fax: (972) 649-6689  
[www.fairviewmicrowave.com](http://www.fairviewmicrowave.com)  
[sales@fairviewmicrowave.com](mailto:sales@fairviewmicrowave.com)

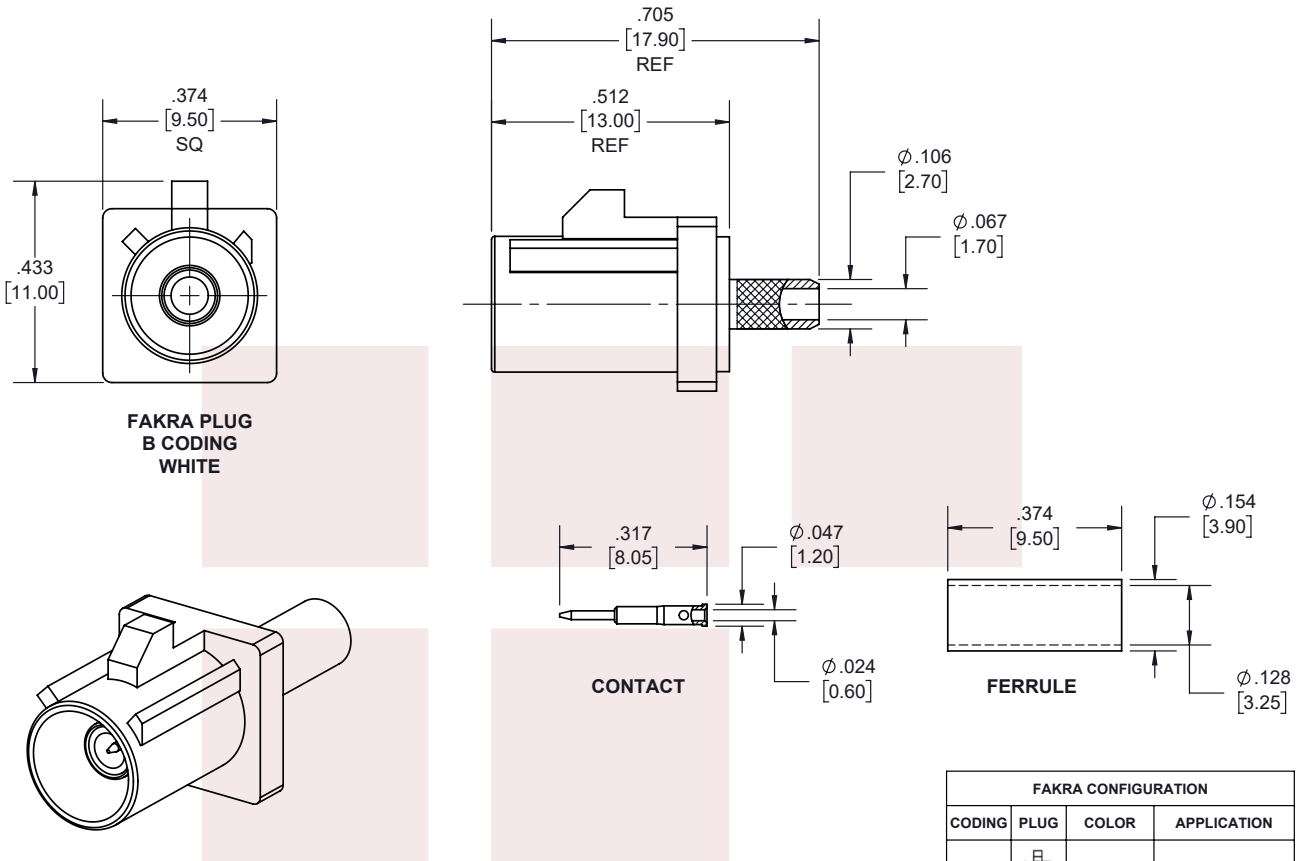
FAKRA Plug Connector Crimp/Solder Attachment for RG174, RG316, RG188, .100 inch, FM-B100, FM-C100, LMR-100, White Color from Fairview Microwave is in-stock and available to ship same-day. All of our RF/microwave products are available off-the-shelf from our ISO 9001:2008 certified facilities in Allen, Texas. Fairview Microwave is RF on-demand.

For additional information on this product, please click the following link: [FAKRA Plug Connector Crimp/Solder Attachment for RG174, RG316, RG188, .100 inch, FM-B100, FM-C100, LMR-100, White Color FMCN1349B](#)

URL: <https://www.fairviewmicrowave.com/fakra-plug-standard-rg174-rg316-connector-fmcn1349b-p.aspx>

The information contained in this document is accurate to the best of our knowledge and representative of the part described herein. It may be necessary to make modifications to the part and/or the documentation of the part, in order to implement improvements. Fairview Microwave reserves the right to make such changes as required. Unless otherwise stated, all specifications are nominal. Fairview Microwave does not make any representation or warranty regarding the suitability of the part described herein for any particular purpose, and Fairview Microwave does not assume any liability arising out of the use of any part or documentation.





FAKRA CONFIGURATION			
CODING	PLUG	COLOR	APPLICATION
A		BLACK	RADIO WITH PHANTOM SUPPLY
B		WHITE	RADIO WITHOUT PHANTOM SUPPLY
C		BLUE	GPS: TELEMATICS OR NAVIGATION
D		BORDEAUX	GSM: CELLULAR PHONE
H		VIOLET	GPS: TELEMATICS AND NAVIGATION
I		BEIGE	BLUETOOTH
K		CURRY	RADIO WITH IF OUTPUT (ANTENNA DIVERSITY)
Z		WATER BLUE	NEUTRAL CODING

- NOTES:
- CABLE ATTACHMENT:
    - OUTER: CRIMP.
    - INNER: SOLDER.
  - CRIMP SIZE REQUIRED:
    - FERRULE: .128 [3.25] HEX. CRIMP TOOL
    - CONTACT: SOLDER.

STANDARD TOLERANCES	
.X	±0.2
.XX	±0.01
.XXX	±0.005

\*STANDARD TOLERANCES APPLY ONLY TO DIMENSIONS IN INCHES

		NOTES: 1. UNLESS OTHERWISE SPECIFIED ALL DIMENSIONS ARE NOMINAL. 2. ALL SPECIFICATIONS ARE SUBJECT TO CHANGE WITHOUT NOTICE AT ANY TIME. 3. DIMENSIONS ARE IN INCHES [mm].	
TITLE FAKRA Plug Connector Crimp/Solder Attachment for RG174, RG316, RG188, .100 inch, FM-B100, FM-C100, LMR-100, White Color		DWG NO FMCN1349B	CAGE CODE 3FKR5
CAD FILE	09/22/19	SHEET	1 OF 1
SCALE	N/A	SIZE	A
		7361	