

RA MHV Male Connector Clamp/Solder Attachment For RG59, RG62, RG71 Cable

RA MHV male connector with clamp/solder attachment for RG59, RG62 and RG71, part number FMCN1364, from Fairview Microwave is in-stock and ships same day. This MHV male connector operates up to a maximum frequency of 200 MHz and offers good VSWR of 1.6:1. Its right angle body geometry facilitates connections in tight spaces.

Fairview's RA MHV male connector FMCN1364 datasheet specifications and outline drawing are shown in this PDF below. Our extensive offering of RF, microwave and millimeter wave connectors allows designers to configure and customize their signal connections however they like. From providing an I/O for a board design to creating a custom cable assembly configuration, Fairview Microwave has a connector solution to meet your needs. Fairview Microwave also has the expertise to build your custom cable assemblies for you and ship them same-day.

Electrical Specifications

Description	Min	Typ	Max	Units
Frequency Range	DC		200	MHz
VSWR			1.6:1	
Operating Voltage (AC)			1,600	Vrms

Mechanical Specifications

Size	
Length	1.22 in [30.99 mm]
Width/Dia.	0.57 in [14.48 mm]
Height	1.02 in [25.91 mm]
Weight	0.043 lbs [19.5 g]

Material Specifications

Description	Material	Plating
Contact	Brass	Gold 30 µin minimum
Insulation	PTFE	
Body	Brass	Nickel 100 µin minimum
Coupling Nut	Brass	Nickel 100 µin minimum
Gasket	Silicone	
Washer	Brass	Nickel
O-Ring	Silicone	

Mechanical Specification Notes:

When attaching the connector to the cable use a clamp torque value of 26 to 30 in-lbs [2.94 to 3.39 Nm]



Configuration:

- MHV Male Connector
- MIL-STD-348A
- 50 Ohms
- Right Angle Body Geometry
- RG59, RG62, RG71 Interface Type
- Clamp/Solder Attachment

Features:

- Operating Frequency of 200 MHz Max.
- Good VSWR of 1.6:1
- Gold Plated Brass Contact
- 30 µin minimum contact plating

Applications:

- General Purpose Test
- Custom Cable Assemblies

Fairview Microwave
 301 Leora Ln., Suite 100
 Lewisville, TX 75056
 Tel: 1-800-715-4396 / (972) 649-6678
 Fax: (972) 649-6689
www.fairviewmicrowave.com
sales@fairviewmicrowave.com

Environmental Specifications

Temperature

Operating Range -65 to +165 deg C

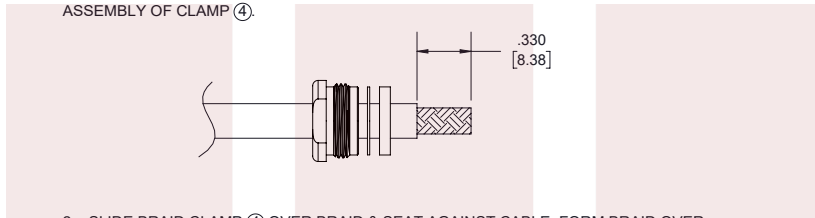
Compliance Certifications (see [product page](#) for current document)

Plotted and Other Data

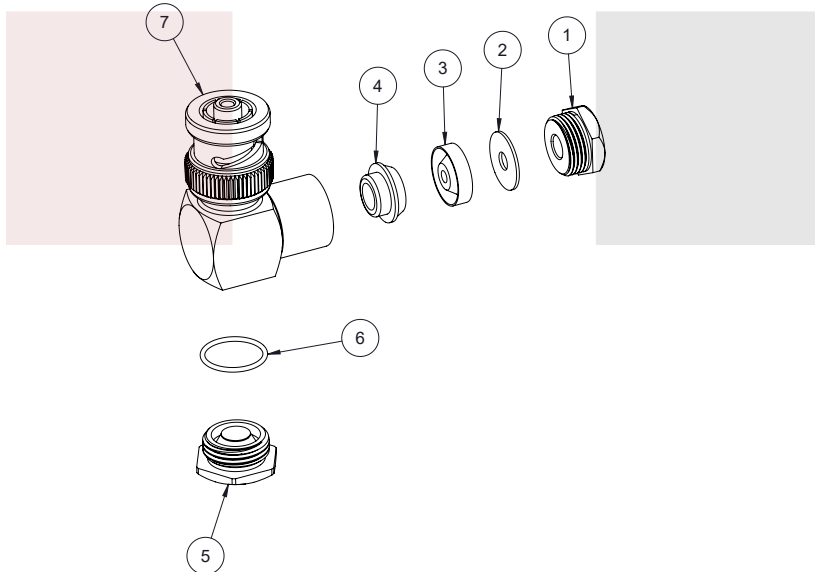
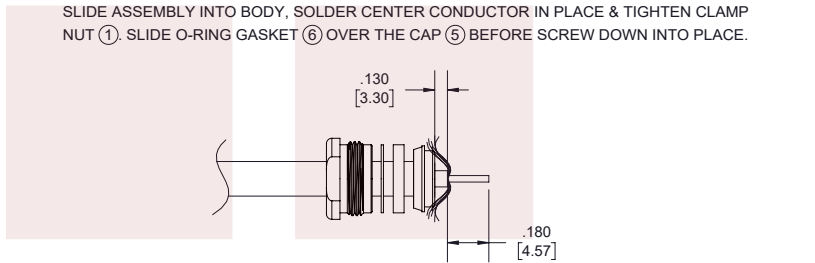
Notes:

Assembly Instruction

1. SLIDE CLAMP NUT ①, THIN-WASHER ② & GASKET ③ OVER CABLE. STRIP CABLE AS SHOWN. DO NOT NICK BRAID WHILE CUTTING JACKET. TAPER END OF BRAID TO PERMIT ASSEMBLY OF CLAMP ④.



2. SLIDE BRAID CLAMP ④ OVER BRAID & SEAT AGAINST CABLE. FORM BRAID OVER CLAMP NUT. TRIM BRAID BACK TO SHOULDER. CUT DIELECTRIC & CENTER CONDUCTOR TO DIMENSION SHOWN. DO NOT NICK CENTER CONDUCTOR. TIN CENTER CONDUCTOR. SLIDE ASSEMBLY INTO BODY, SOLDER CENTER CONDUCTOR IN PLACE & TIGHTEN CLAMP NUT ①. SLIDE O-RING GASKET ⑥ OVER THE CAP ⑤ BEFORE SCREW DOWN INTO PLACE.



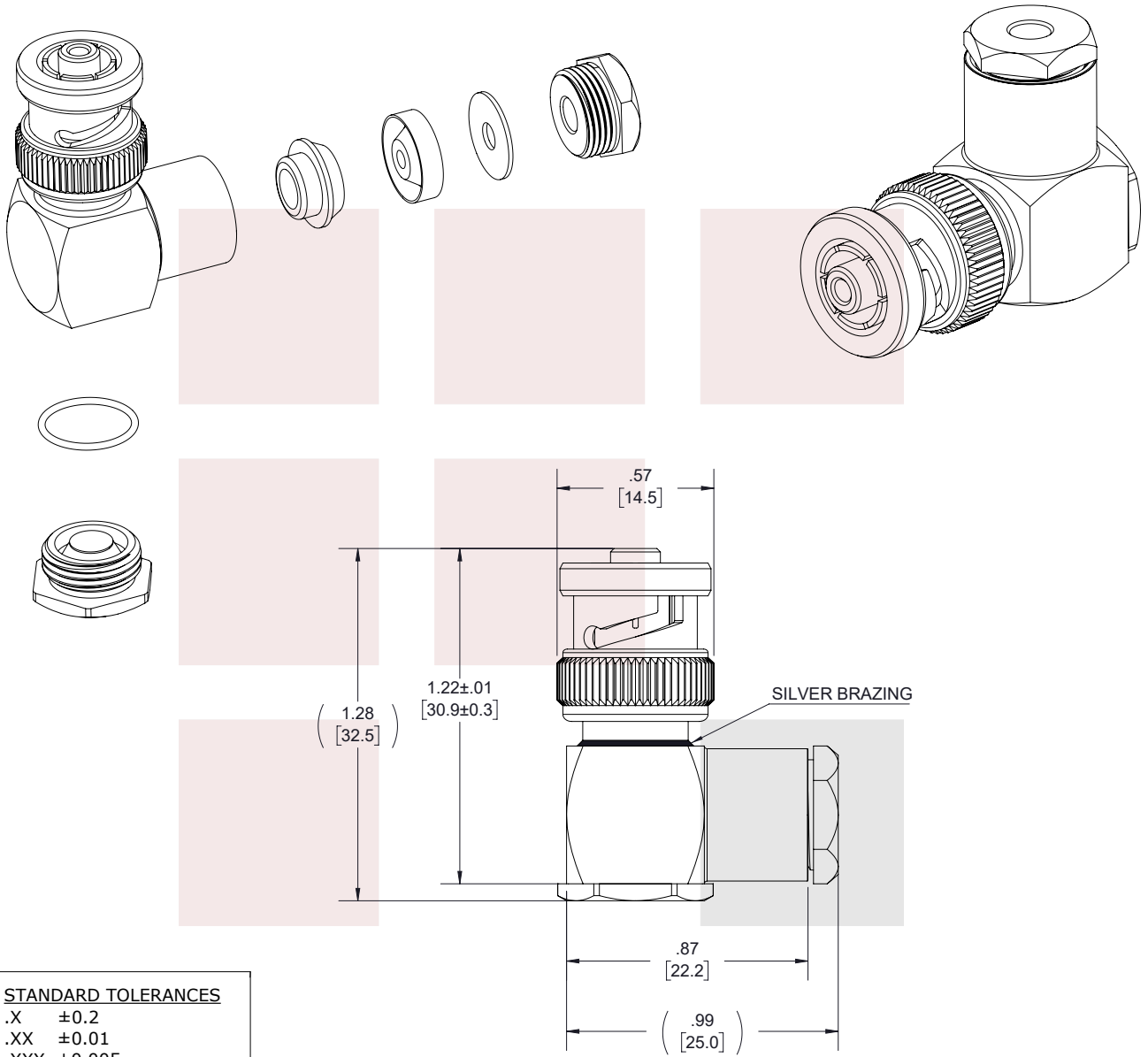
RA MHV Male Connector Clamp/Solder Attachment For RG59, RG62, RG71 Cable from Fairview Microwave is in-stock and available to ship same-day. All of our RF/microwave products are available off-the-shelf from our ISO 9001:2008 certified facilities in Lewisville, Texas. Fairview Microwave is RF on-demand.

For additional information on this product, please click the following link: [RA MHV Male Connector Clamp/Solder Attachment For RG59, RG62, RG71 Cable FMCN1364](#)

URL: <https://www.fairviewmicrowave.com/mhv-male-rg59-rg62-rg71-connector-fmcn1364-p.aspx>

The information contained in this document is accurate to the best of our knowledge and representative of the part described herein. It may be necessary to make modifications to the part and/or the documentation of the part, in order to implement improvements. Fairview Microwave reserves the right to make such changes as required. Unless otherwise stated, all specifications are nominal. Fairview Microwave does not make any representation or warranty regarding the suitability of the part described herein for any particular purpose, and Fairview Microwave does not assume any liability arising out of the use of any part or documentation.





STANDARD TOLERANCES	
.X	±0.2
.XX	±0.01
.XXX	±0.005

*STANDARD TOLERANCES APPLY ONLY TO DIMENSIONS IN INCHES

FAIRVIEW MICROWAVE INC. ALLEN, TX 75013 WWW.FAIRVIEWMICROWAVE.COM		NOTES: 1. UNLESS OTHERWISE SPECIFIED ALL DIMENSIONS ARE NOMINAL. 2. ALL SPECIFICATIONS ARE SUBJECT TO CHANGE WITHOUT NOTICE AT ANY TIME. 3. DIMENSIONS ARE IN INCHES [mm].						
TITLE RA MHV Male Connector Clamp/Solder Attachment For RG59, RG62, RG71 Cable		DWG NO FMCN1364		CAGE CODE 3FKR5				
CAD FILE	102517	SHEET	1 OF 2	SCALE	N/A	SIZE	A	7361