

MHV Female Bulkhead Hermetically Sealed Connector Solder Cup Terminal Solder Attachment , .380 inch DD Hole

MHV female bulkhead hermetically sealed connector with solder cup terminal (.380 inch DD hole), part number FMCN1370, from Fairview Microwave is in-stock and ships same day. Fairview's FMCN1370 bulkhead MHV connector enables designers to make external connections on product enclosures, and can be used in a variety of other rack mount and panel mount applications.

Fairview's MHV female bulkhead connector FMCN1370 datasheet specifications and outline drawing are shown in this PDF below. Our extensive offering of RF, microwave and millimeter wave connectors allows designers to configure and customize their signal connections however they like. From providing an I/O for a board design to creating a custom cable assembly configuration, Fairview Microwave has a connector solution to meet your needs. Fairview Microwave also has the expertise to build your custom cable assemblies for you and ship them same-day.

Electrical Specifications

Description	Min	Typ	Max	Units
Operating Voltage (AC)			1,600	Vrms

Mechanical Specifications

Size	Min	Typ	Max	Units
Length			1.793 in [45.54 mm]	
Width/Dia.			0.57 in [14.48 mm]	
Weight			0.033 lbs [14.97 g]	

Material Specifications

Description	Material	Plating
Contact		Silver QQ-S-365
Insulation	PTFE	
Body	Brass	Nickel QQ-N-290

Environmental Specifications

Compliance Certifications (see [product page](#) for current document)

Plotted and Other Data

Notes:



Configuration:

- MHV Female Connector
- MIL-STD-348
- 50 Ohms
- Straight Body Geometry
- Solder Cup Interface Type
- Solder Attachment
- Bulkhead

Features:

- Hermetically Sealed
- Silver Plated Contact
- Contact plating according to QQ-S-365

Applications:

- General Purpose Test
- Rack and Panel Mount Applications

Fairview Microwave
 301 Leora Ln., Suite 100
 Lewisville, TX 75056
 Tel: 1-800-715-4396 / (972) 649-6678
 Fax: (972) 649-6689
www.fairviewmicrowave.com
sales@fairviewmicrowave.com

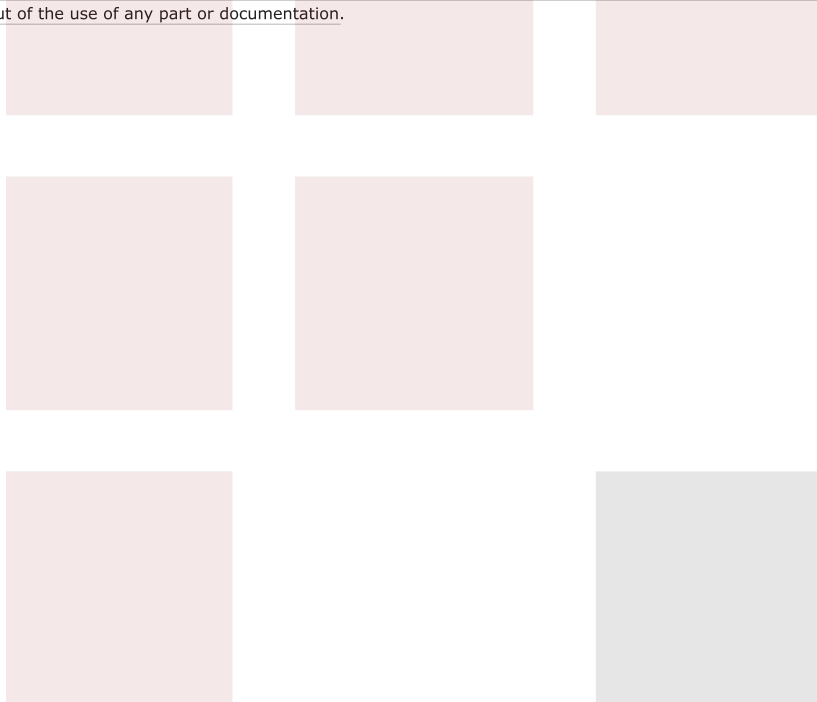
Assembly Instruction

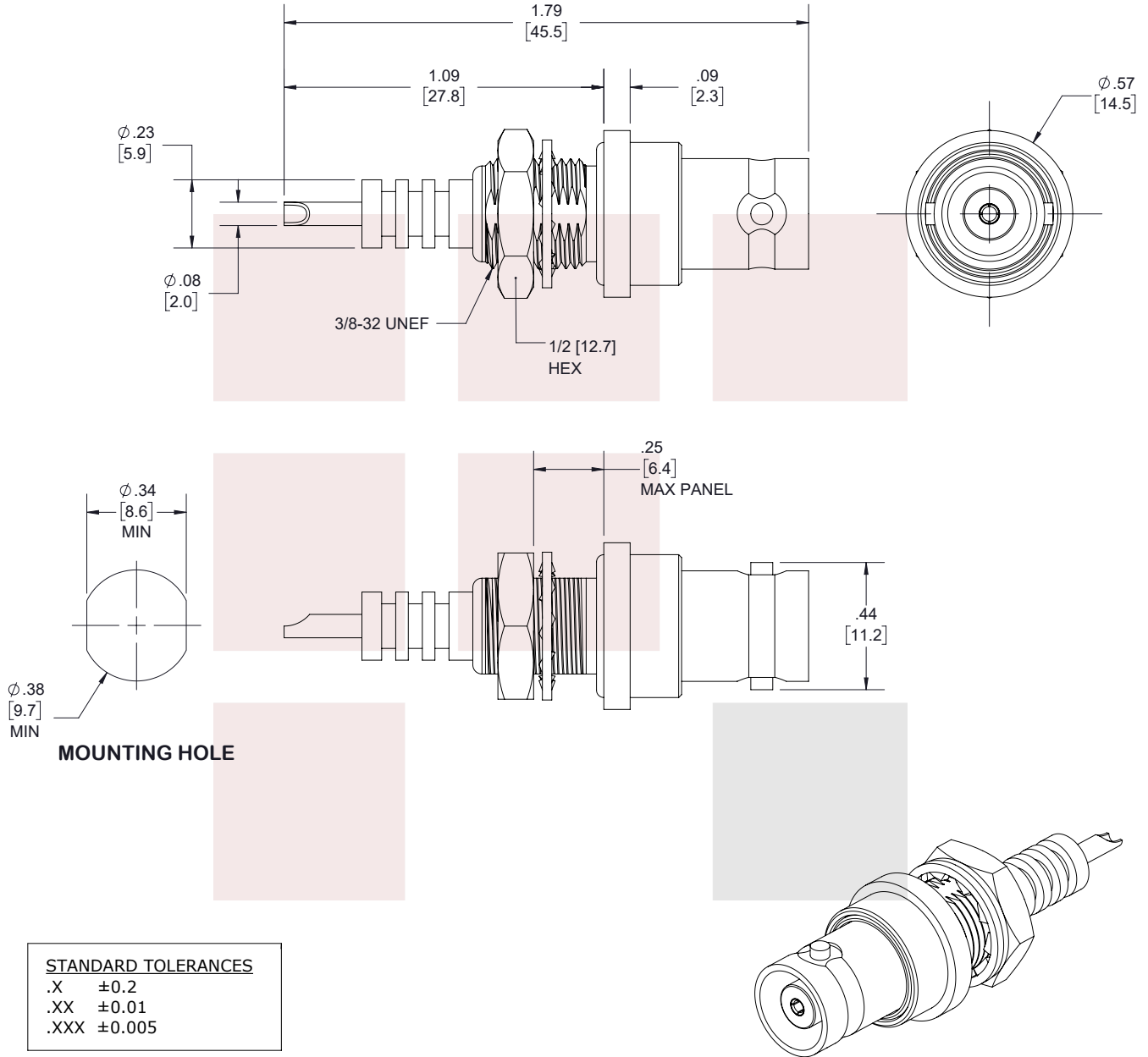
MHV Female Bulkhead Hermetically Sealed Connector Solder Cup Terminal Solder Attachment , .380 inch DD Hole from Fairview Microwave is in-stock and available to ship same-day. All of our RF/microwave products are available off-the-shelf from our ISO 9001:2008 certified facilities in Allen, Texas. Fairview Microwave is RF on-demand.

For additional information on this product, please click the following link: [MHV Female Bulkhead Hermetically Sealed Connector Solder Cup Terminal Solder Attachment , .380 inch DD Hole FMCN1370](#)

URL: <https://www.fairviewmicrowave.com/mhv-female-solder-cup-terminal-connector-fmcn1370-p.aspx>

The information contained in this document is accurate to the best of our knowledge and representative of the part described herein. It may be necessary to make modifications to the part and/or the documentation of the part, in order to implement improvements. Fairview Microwave reserves the right to make such changes as required. Unless otherwise stated, all specifications are nominal. Fairview Microwave does not make any representation or warranty regarding the suitability of the part described herein for any particular purpose, and Fairview Microwave does not assume any liability arising out of the use of any part or documentation.





STANDARD TOLERANCES	
.X	±0.2
.XX	±0.01
.XXX	±0.005

*STANDARD TOLERANCES APPLY ONLY TO DIMENSIONS IN INCHES

FAIRVIEW MICROWAVE INC. ALLEN, TX 75013 WWW.FAIRVIEWMICROWAVE.COM		NOTES: 1. UNLESS OTHERWISE SPECIFIED ALL DIMENSIONS ARE NOMINAL. 2. ALL SPECIFICATIONS ARE SUBJECT TO CHANGE WITHOUT NOTICE AT ANY TIME. 3. DIMENSIONS ARE IN INCHES [mm].			
TITLE MHV Female Bulkhead Hermetically Sealed Connector Solder Cup Terminal Solder Attachment , .380 inch DD Hole		DWG NO FMCN1370		CAGE CODE 3FKR5	
		CAD FILE 110117	SHEET 1 OF 1	SCALE N/A	SIZE A