

SMA Female Connector Field Replaceable Attachment 2 Hole Flange

SMA female 2 hole flange mount field replaceable connector with EMI gasket, part number FMCN1374, from Fairview Microwave is in-stock and ships same day. This SMA female connector operates up to a maximum frequency of 26 GHz and offers excellent VSWR of 1.2:1. Fairview's FMCN1374 2 hole flange SMA connector enables designers to make external connections on product enclosures, and can be used in a variety of other rack mount and panel mount applications. Fairview's field replaceable connector is easy to install or replace in the field.

Fairview's SMA female 2 hole flange connector FMCN1374 datasheet specifications and outline drawing are shown in this PDF below. Our extensive offering of RF, microwave and millimeter wave connectors allows designers to configure and customize their signal connections however they like. From providing an I/O for a board design to creating a custom cable assembly configuration, Fairview Microwave has a connector solution to meet your needs. Fairview Microwave also has the expertise to build your custom cable assemblies for you and ship them same-day.



Configuration:

- SMA Female Connector
- MIL-STD-348
- 50 Ohms
- Straight Body Geometry
- .015 inch Pin Interface Type
- Field Replaceable Attachment
- 2 Hole Flange

Features:

- Operating Frequency of 26 GHz Max.
- Excellent VSWR of 1.2:1
- Gold over Nickel Plated Beryllium Copper Contact
- Contact plating according to ASTM B-488

Applications:

- General Purpose Test
- Rack and Panel Mount Applications

Electrical Specifications

Description	Min	Typ	Max	Units
Frequency Range	DC		26	GHz
VSWR			1.2:1	
Operating Voltage (AC)			335	Vrms
DWV (AC)			1,000	Vrms
High Potential Voltage at 5 MHz			670	Vrms
Corona Discharge at 70,000 feet			250	Vrms

Electrical Specification Notes:
 Insertion loss = 0.03 x sqrt(fGHz) dB.
 RF leakage: 90 dB min at 2 to 3 GHz.

Mechanical Specifications

Size	
Length	0.375 in [9.53 mm]
Width/Dia.	0.223 in [5.66 mm]
Height	0.625 in [15.88 mm]
Mating Cycles	500 Cycles

Material Specifications

Description	Material	Plating
Contact	Beryllium Copper	Gold over Nickel ASTM B-488
Insulation	PTFE	
Body	Passivated Stainless Steel	ASTM A-967

Fairview Microwave
 1130 Junction Dr. #100
 Allen, TX 75013
 Tel: 1-800-715-4396 / (972) 649-6678
 Fax: (972) 649-6689
www.fairviewmicrowave.com
sales@fairviewmicrowave.com

Environmental Specifications

Temperature

Operating Range	-65 to +165 deg C
Humidity	MIL-STD-202, Method 106
Shock	MIL-STD-202, Method 213, Condition I
Vibration	MIL-STD-202, Method 204, Condition D
Thermal Shock	MIL-STD-202, Method 107, Condition B
Salt Spray	MIL-STD-202, Method 101, Condition C

Compliance Certifications (see [product page](#) for current document)

Plotted and Other Data

Notes:

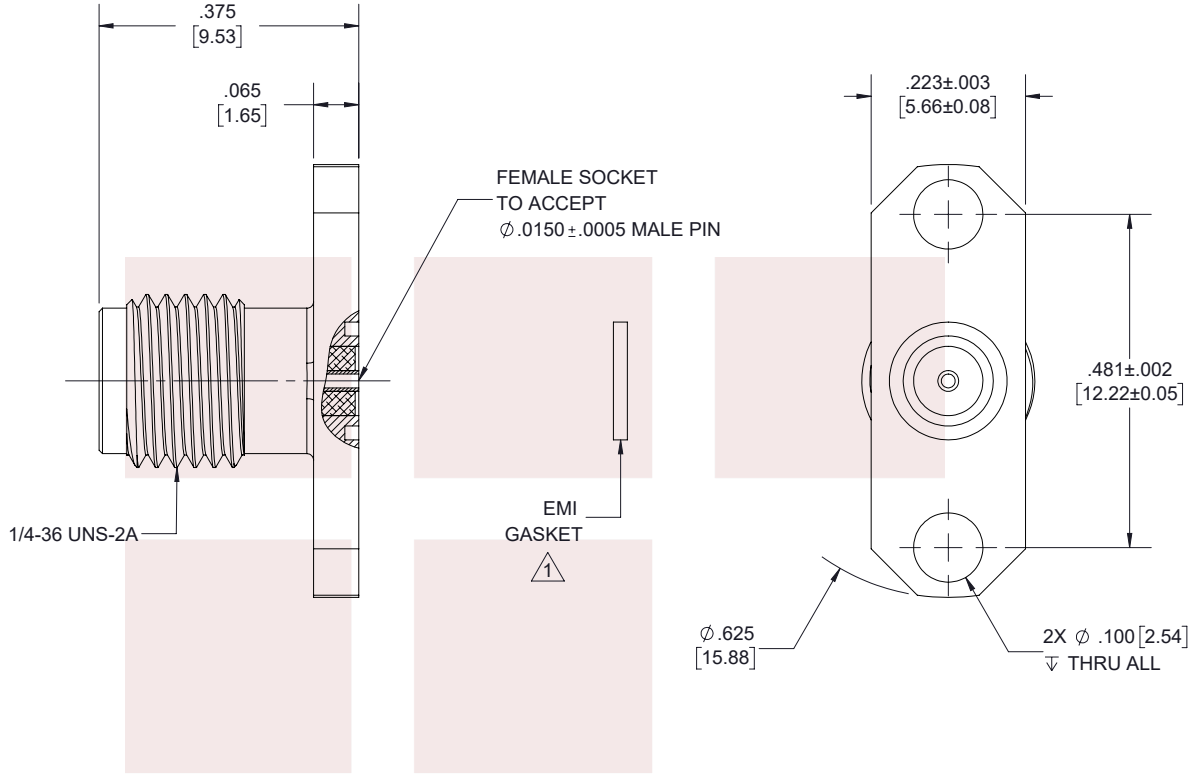
Assembly Instruction

SMA Female Connector Field Replaceable Attachment 2 Hole Flange from Fairview Microwave is in-stock and available to ship same-day. All of our RF/microwave products are available off-the-shelf from our ISO 9001:2008 certified facilities in Allen, Texas. Fairview Microwave is RF on-demand.

For additional information on this product, please click the following link: [SMA Female Connector Field Replaceable Attachment 2 Hole Flange FMCN1374](#)

URL: <https://www.fairviewmicrowave.com/sma-female-.015-pin-connector-fmcn1374-p.aspx>

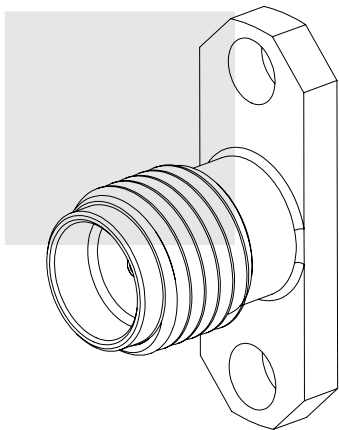
The information contained in this document is accurate to the best of our knowledge and representative of the part described herein. It may be necessary to make modifications to the part and/or the documentation of the part, in order to implement improvements. Fairview Microwave reserves the right to make such changes as required. Unless otherwise stated, all specifications are nominal. Fairview Microwave does not make any representation or warranty regarding the suitability of the part described herein for any particular purpose, and Fairview Microwave does not assume any liability arising out of the use of any part or documentation.



1 EMI GASKET TO BE PACKAGED AND SHIPPED UNASSEMBLED.

STANDARD TOLERANCES	
.X	±0.2
.XX	±0.01
.XXX	±0.005

*STANDARD TOLERANCES APPLY ONLY TO DIMENSIONS IN INCHES



FAIRVIEW MICROWAVE INC. ALLEN, TX 75013 WWW.FAIRVIEWMICROWAVE.COM		NOTES: 1. UNLESS OTHERWISE SPECIFIED ALL DIMENSIONS ARE NOMINAL. 2. ALL SPECIFICATIONS ARE SUBJECT TO CHANGE WITHOUT NOTICE AT ANY TIME. 3. DIMENSIONS ARE IN INCHES [mm].				
TITLE SMA Female Connector Field Replaceable Attachment 2 Hole Flange		DWG NO FMCN1374		CAGE CODE 3FKR5		
CAD FILE	101717	SHEET	1 OF 1	SCALE	N/A	SIZE A 7361