

**RA N Female Bulkhead PCB Connector Thru Hole
 Solder Attachment , .596 inch D Hole**

RA type N female bulkhead connector with solder attachment for thru hole PCB (.596 inch D hole), part number FMCN1380, from Fairview Microwave is in-stock and ships same day. This type N female connector operates up to a maximum frequency of 10 GHz. Its right angle body geometry facilitates connections in tight spaces. Fairview's FMCN1380 bulkhead type N connector enables designers to make external connections on product enclosures, and can be used in a variety of other rack mount and panel mount applications.

Fairview's RA type N female bulkhead connector FMCN1380 datasheet specifications and outline drawing are shown in this PDF below. Our extensive offering of RF, microwave and millimeter wave connectors allows designers to configure and customize their signal connections however they like. From providing an I/O for a board design to creating a custom cable assembly configuration, Fairview Microwave has a connector solution to meet your needs. Fairview Microwave also has the expertise to build your custom cable assemblies for you and ship them same-day.



Configuration:

- N Female Connector
- MIL-STD-348A
- 50 Ohms
- Right Angle Body Geometry
- Thru Hole Interface Type
- Solder Attachment
- Bulkhead

Features:

- Operating Frequency of 10 GHz Max.
- Silver Plated Beryllium Copper Contact
- 70 µin minimum contact plating

Applications:

- General Purpose Test
- Rack and Panel Mount Applications
- PCB Applications

Electrical Specifications

Description	Min	Typ	Max	Units
Frequency Range	DC		10	GHz
Operating Voltage (AC)			1,000	Vrms
DWV (AC)			2,500	Vrms

Mechanical Specifications

Size	
Length	1.631 in [41.43 mm]
Width/Dia.	0.748 in [19.00 mm]
Height	1.04 in [26.42 mm]

Material Specifications

Description	Material	Plating
Contact	Beryllium Copper	Silver 70 µin minimum
Insulation	PTFE	
Body	Brass	Nickel 100 µin minimum

Environmental Specifications

Temperature	
Operating Range	-65 to +165 deg C

Compliance Certifications (see [product page](#) for current document)

Plotted and Other Data

Notes:

Fairview Microwave
 1130 Junction Dr. #100
 Allen, TX 75013
 Tel: 1-800-715-4396 / (972) 649-6678
 Fax: (972) 649-6689
www.fairviewmicrowave.com
sales@fairviewmicrowave.com

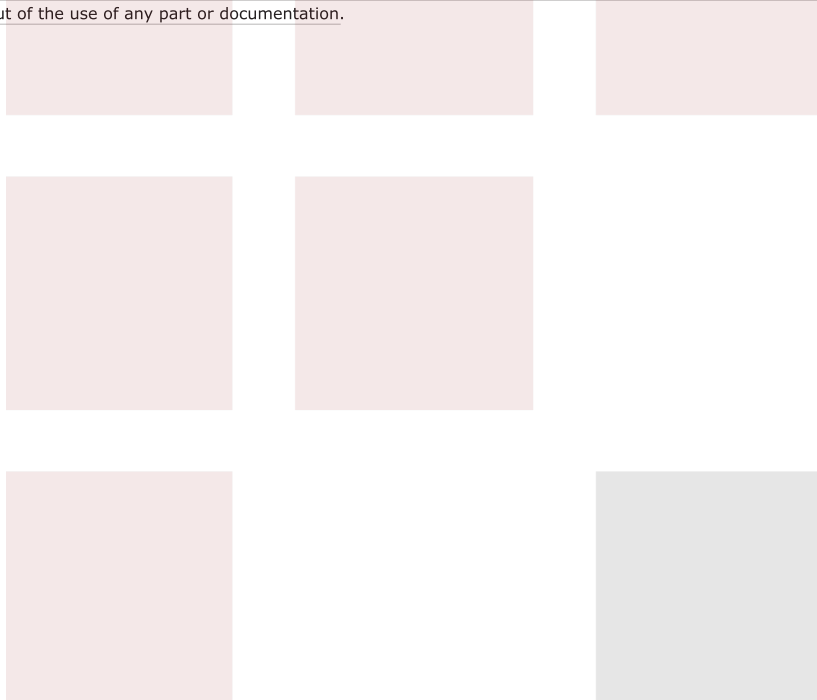
Assembly Instruction

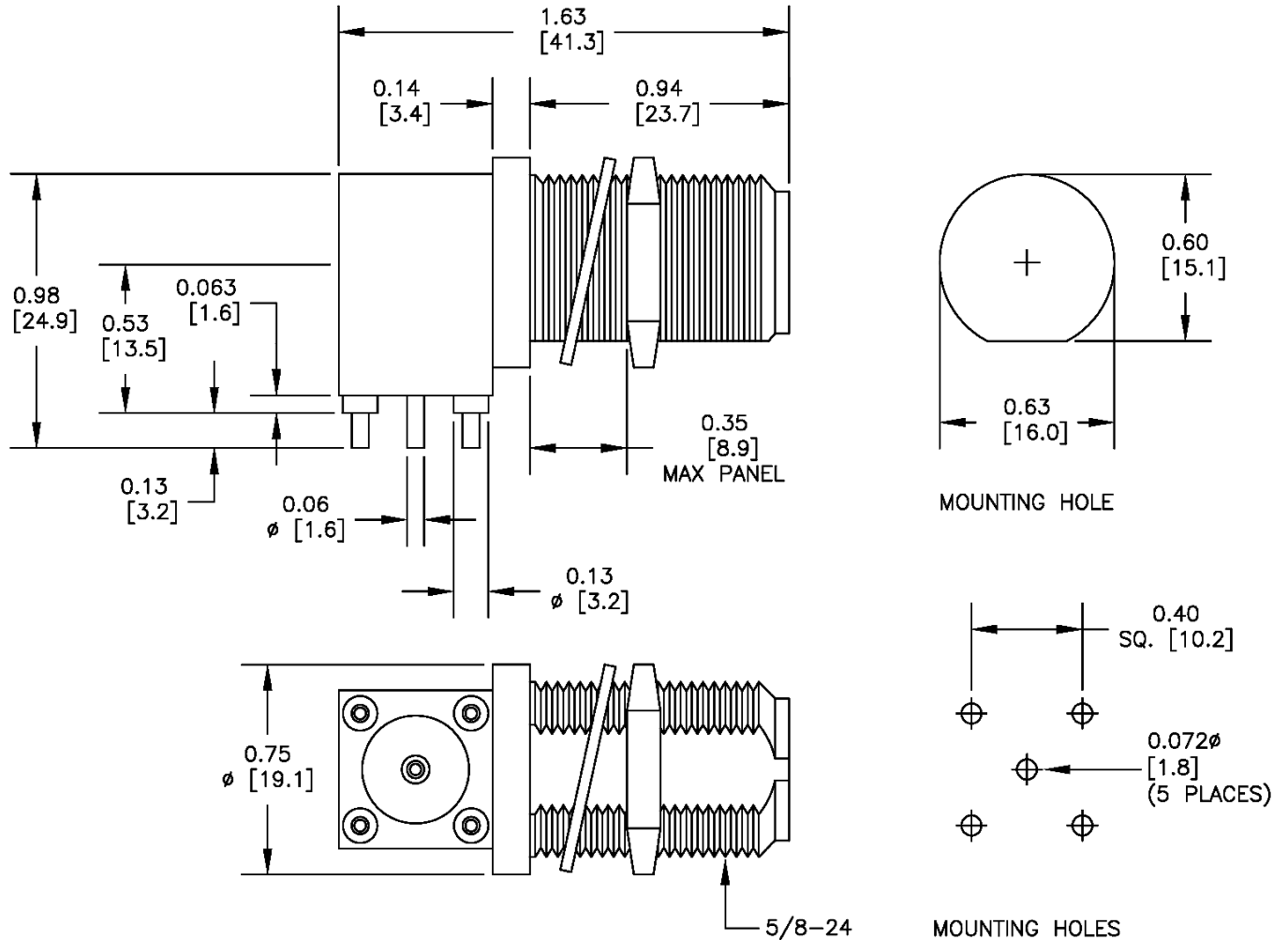
RA N Female Bulkhead PCB Connector Thru Hole Solder Attachment , .596 inch D Hole from Fairview Microwave is in-stock and available to ship same-day. All of our RF/microwave products are available off-the-shelf from our ISO 9001:2008 certified facilities in Allen, Texas. Fairview Microwave is RF on-demand.

For additional information on this product, please click the following link: [RA N Female Bulkhead PCB Connector Thru Hole Solder Attachment , .596 inch D Hole FMCN1380](#)

URL: <https://www.fairviewmicrowave.com/n-female-thru-hole-pcb-connector-fmcn1380-p.aspx>

The information contained in this document is accurate to the best of our knowledge and representative of the part described herein. It may be necessary to make modifications to the part and/or the documentation of the part, in order to implement improvements. Fairview Microwave reserves the right to make such changes as required. Unless otherwise stated, all specifications are nominal. Fairview Microwave does not make any representation or warranty regarding the suitability of the part described herein for any particular purpose, and Fairview Microwave does not assume any liability arising out of the use of any part or documentation.





STANDARD TOLERANCES	
.X	±0.2
.XX	±0.01
.XXX	±0.005

*STANDARD TOLERANCES APPLY ONLY TO DIMENSIONS IN INCHES

FAIRVIEW MICROWAVE INC.		NOTES: 1. UNLESS OTHERWISE SPECIFIED ALL DIMENSIONS ARE NOMINAL. 2. ALL SPECIFICATIONS ARE SUBJECT TO CHANGE WITHOUT NOTICE AT ANY TIME. 3. DIMENSIONS ARE IN INCHES [mm].			
ALLEN, TX 75013 WWW.FAIRVIEWMICROWAVE.COM		DWG NO FMCN1380		CAGE CODE 3FKR5	
TITLE RA N Female Bulkhead PCB Connector Thru Hole Solder Attachment , .596 inch D Hole		CAD FILE 110217	SHEET 1 OF 1	SCALE N/A	SIZE A 7361