

SMA Female PCB Connector Surface Mount Solder Attachment

SMA female connector with solder attachment for surface mount PCB, part number FMCN1398, from Fairview Microwave is in-stock and ships same day. This SMA female connector operates up to a maximum frequency of 12.4 GHz and offers excellent VSWR of 1.23:1.

Fairview's SMA female connector FMCN1398 datasheet specifications and outline drawing are shown in this PDF below. Our extensive offering of RF, microwave and millimeter wave connectors allows designers to configure and customize their signal connections however they like. From providing an I/O for a board design to creating a custom cable assembly configuration, Fairview Microwave has a connector solution to meet your needs. Fairview Microwave also has the expertise to build your custom cable assemblies for you and ship them same-day.

Electrical Specifications

Description	Min	Typ	Max	Units
Frequency Range	DC		12.4	GHz
VSWR			1.23:1	
Operating Voltage (AC)			500	Vrms

Mechanical Specifications

Size	
Length	0.346 in [8.79 mm]
Width/Dia.	0.25 in [6.35 mm]

Material Specifications

Description	Material	Plating
Contact	Beryllium Copper	Gold 50 µin minimum
Insulation	PTFE	
Body	Brass	Gold 30 µin minimum

Environmental Specifications

Temperature	
Operating Range	-65 to +165 deg C

Compliance Certifications (see [product page](#) for current document)

Plotted and Other Data

Notes:



Configuration:

- SMA Female Connector
- MIL-STD-348A
- 50 Ohms
- Straight Body Geometry
- Surface Mount Interface Type
- Solder Attachment

Features:

- Operating Frequency of 12.4 GHz Max.
- Excellent VSWR of 1.23:1
- Gold Plated Beryllium Copper Contact
- 50 µin minimum contact plating

Applications:

- General Purpose Test
- PCB Applications

Fairview Microwave
 1130 Junction Dr. #100
 Allen, TX 75013
 Tel: 1-800-715-4396 / (972) 649-6678
 Fax: (972) 649-6689
www.fairviewmicrowave.com
sales@fairviewmicrowave.com

Assembly Instruction

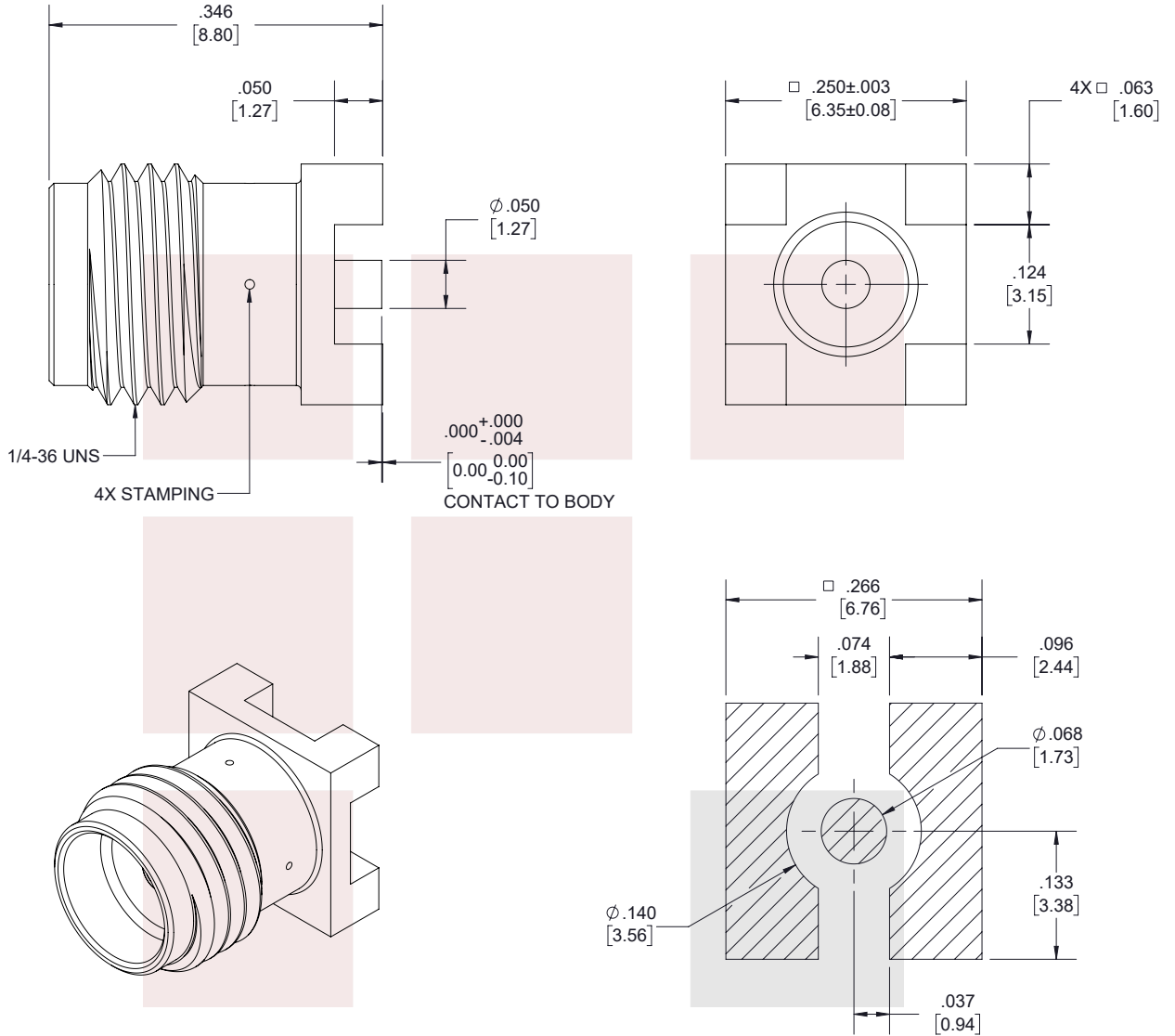
SMA Female PCB Connector Surface Mount Solder Attachment from Fairview Microwave is in-stock and available to ship same-day. All of our RF/microwave products are available off-the-shelf from our ISO 9001:2008 certified facilities in Allen, Texas. Fairview Microwave is RF on-demand.

For additional information on this product, please click the following link: [SMA Female PCB Connector Surface Mount Solder Attachment FMCN1398](#)

URL: <https://www.fairviewmicrowave.com/sma-female-surface-mount-pcb-connector-fmcn1398-p.aspx>

The information contained in this document is accurate to the best of our knowledge and representative of the part described herein. It may be necessary to make modifications to the part and/or the documentation of the part, in order to implement improvements. Fairview Microwave reserves the right to make such changes as required. Unless otherwise stated, all specifications are nominal. Fairview Microwave does not make any representation or warranty regarding the suitability of the part described herein for any particular purpose, and Fairview Microwave does not assume any liability arising out of the use of any part or documentation.





LAND PATTERN

STANDARD TOLERANCES	
.X	±0.2
.XX	±0.01
.XXX	±0.005

*STANDARD TOLERANCES APPLY ONLY TO DIMENSIONS IN INCHES

FAIRVIEW MICROWAVE INC. ALLEN, TX 75013 WWW.FAIRVIEWMICROWAVE.COM		NOTES: 1. UNLESS OTHERWISE SPECIFIED ALL DIMENSIONS ARE NOMINAL. 2. ALL SPECIFICATIONS ARE SUBJECT TO CHANGE WITHOUT NOTICE AT ANY TIME. 3. DIMENSIONS ARE IN INCHES [mm].				
TITLE SMA Female PCB Connector Surface Mount Solder Attachment		DWG NO FMCN1398		CAGE CODE 3FKR5		
CAD FILE	110917	SHEET	1 OF 1	SCALE	N/A	SIZE A 7361