

N Male Connector Solder Cup Terminal Solder Attachment 4 Hole Flange , .718 inch Hole Spacing

Type N male 4 hole flange mount connector with solder cup terminal (.718 inch hole spacing), part number FMCN1409, from Fairview Microwave is in-stock and ships same day. Fairview's FMCN1409 4 hole flange type N connector enables designers to make external connections on product enclosures, and can be used in a variety of other rack mount and panel mount applications.

Fairview's type N male 4 hole flange connector FMCN1409 datasheet specifications and outline drawing are shown in this PDF below. Our extensive offering of RF, microwave and millimeter wave connectors allows designers to configure and customize their signal connections however they like. From providing an I/O for a board design to creating a custom cable assembly configuration, Fairview Microwave has a connector solution to meet your needs. Fairview Microwave also has the expertise to build your custom cable assemblies for you and ship them same-day.



Configuration:

- N Male Connector
- 50 Ohms
- Straight Body Geometry
- Solder Cup Interface Type
- Solder Attachment
- 4 Hole Flange

Electrical Specifications

Description	Min	Typ	Max	Units
Operating Voltage (AC)			1,000	Vrms
DWV (AC)			2,500	Vrms
Inner Cond. DC Resistance			1	mOhms
Outer Cond. DC Resistance			1	mOhms
Insulation Resistance	5,000			MOhms

Features:

- Gold over Nickel Plated Brass Contact
- 1-2 µin max, 50 µin min contact plating

Applications:

- General Purpose Test
- Rack and Panel Mount Applications

Mechanical Specifications

Size	
Length	1.2 in [30.48 mm]
Width/Dia.	1 in [25.40 mm]
Height	1 in [25.4 mm]
Weight	0.5 lbs [226.8 g]
Mating Torque	6 to 10 in-lbs [0.68 to 1.13 Nm]

Material Specifications

Description	Material	Plating
Contact	Brass	Gold over Nickel 1-2 µin max, 50 µin min
Insulation	PTFE	
Body	Brass	Nickel 50 µin min

Environmental Specifications

Shock	MIL-STD-202 Method 213 Cond. I
Vibration	MIL-STD-202 Method 204 Cond. B
Thermal Shock	MIL-STD-202 Method 107 Cond. B

Fairview Microwave
 301 Leora Ln., Suite 100
 Lewisville, TX 75056
 Tel: 1-800-715-4396 / (972) 649-6678
 Fax: (972) 649-6689
www.fairviewmicrowave.com
sales@fairviewmicrowave.com

Salt Spray

MIL-STD-202 Method 101 Cond. B

Compliance Certifications (see [product page](#) for current document)

Plotted and Other Data

Notes:

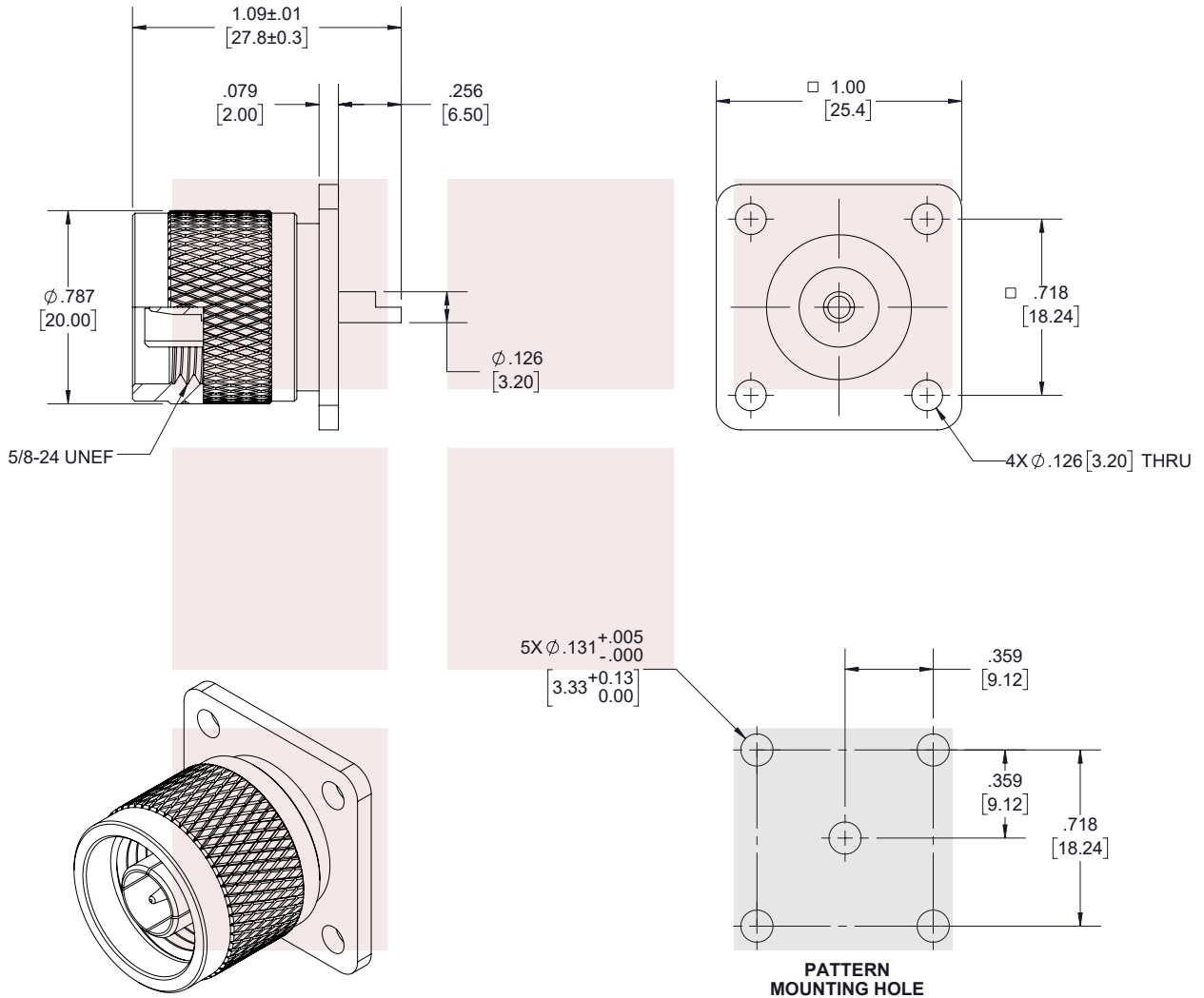
N Male Connector Solder Cup Terminal Solder Attachment 4 Hole Flange , .718 inch Hole Spacing from Fairview Microwave is in-stock and available to ship same-day. All of our RF/microwave products are available off-the-shelf from our ISO 9001:2008 certified facilities in Lewisville, Texas. Fairview Microwave is RF on-demand.

For additional information on this product, please click the following link: [N Male Connector Solder Cup Terminal Solder Attachment 4 Hole Flange , .718 inch Hole Spacing FMCN1409](#)

URL: <https://www.fairviewmicrowave.com/n-male-solder-cup-terminal-connector-fmcn1409-p.aspx>

The information contained in this document is accurate to the best of our knowledge and representative of the part described herein. It may be necessary to make modifications to the part and/or the documentation of the part, in order to implement improvements. Fairview Microwave reserves the right to make such changes as required. Unless otherwise stated, all specifications are nominal. Fairview Microwave does not make any representation or warranty regarding the suitability of the part described herein for any particular purpose, and Fairview Microwave does not assume any liability arising out of the use of any part or documentation.

REVISIONS			
REV.	DESCRIPTION	DATE	APPROVED
A	INITIAL RELEASE	3/25/2022	A. GANWANI



THESE COMMODITIES, TECHNOLOGY OR SOFTWARE WERE EXPORTED FROM THE UNITED STATES IN ACCORDANCE WITH THE EXPORT ADMINISTRATION REGULATIONS. DIVERSION CONTRARY TO U.S. LAW PROHIBITED.

TITLE

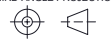
N Male Connector Solder Cup Terminal Solder Attachment 4 Hole Flange , .718 inch Hole Spacing

UNLESS OTHERWISE SPECIFIED LEADING DIMENSIONS ARE INCHES
DIMENSIONS IN [] ARE MILLIMETERS

TOLERANCES: CABLE LENGTH (L) TOLERANCES:

.X = ±.2 [5.08]	FRACTIONS	L ≤ 12 [305] = +1 [25] / -0
.XX = ±.02 [.51]	± 1/32	12 [305] < L ≤ 60 [1524] = +2 [51] / -0
.XXX = ±.005 [.13]	ANGLES ± 1°	60 [1524] < L ≤ 120 [3048] = +4 [102] / -0
		120 [3048] < L ≤ 300 [7620] = +6 [152] / -0
		300 [7620] < L = +5%L / -0

THIRD-ANGLE PROJECTION



THE INFORMATION AND DESIGN IN THIS DOCUMENT IS THE PROPERTY OF FAIRVIEW MICROWAVE CORPORATION. ALL RIGHTS RESERVED.

SHEET 1 OF 1

ALL DIMENSIONS SHOWN ARE FOR REFERENCE ONLY.

SCALE N/A

SIZE A	CAGE CODE 3FKR5	DRAWN BY A.KRESOWSKI	ITEM NO. FMCN1409	REV A
-----------	--------------------	-------------------------	----------------------	----------

T-Rev.D