

## SMA Female Connector Solder Attachment for FM-SR086ALTN, FM-SR086TB, FM-SR086TBJ, FM-SR086CUTN, FM-SR086CU Cable

SMA female connector with solder/solder attachment for FM-SR086ALTN, FM-SR086TB, FM-SR086TBJ, FM-SR086CUTN and FM-SR086CU, part number FMCN1418, from Fairview Microwave is in-stock and ships same day. This SMA female connector operates up to a maximum frequency of 18 GHz.

Fairview's SMA female connector FMCN1418 datasheet specifications and outline drawing are shown in this PDF below. Our extensive offering of RF, microwave and millimeter wave connectors allows designers to configure and customize their signal connections however they like. From providing an I/O for a board design to creating a custom cable assembly configuration, Fairview Microwave has a connector solution to meet your needs. Fairview Microwave also has the expertise to build your custom cable assemblies for you and ship them same-day.

### Electrical Specifications

Description	Min	Typ	Max	Units
Frequency Range	DC		18	GHz

### Mechanical Specifications

<b>Size</b>	
Length	0.5 in [12.7 mm]
Width/Dia.	0.25 in [6.35 mm]
Weight	0.005 lbs [2.27 g]

### Material Specifications

Description	Material	Plating
Contact	Beryllium Copper	Gold over Nickel
Insulation	PTFE	
Body	Brass	Gold over Nickel

**Compliance Certifications** (see [product page](#) for current document)

### Plotted and Other Data

Notes:



### Configuration:

- SMA Female Connector
- 50 Ohms
- Straight Body Geometry
- FM-SR086ALTN, FM-SR086TB, FM-SR086TBJ, FM-SR086CUTN, FM-SR086CU Interface Type
- Solder/Solder Attachment

### Features:

- Operating Frequency of 18 GHz Max.
- Gold over Nickel Plated Beryllium Copper Contact

### Applications:

- General Purpose Test
- Custom Cable Assemblies

Fairview Microwave  
301 Leora Ln., Suite 100  
Lewisville, TX 75056  
Tel: 1-800-715-4396 / (972) 649-6678  
Fax: (972) 649-6689  
[www.fairviewmicrowave.com](http://www.fairviewmicrowave.com)  
[sales@fairviewmicrowave.com](mailto:sales@fairviewmicrowave.com)

SMA Female Connector Solder Attachment for FM-SR086ALTN, FM-SR086TB, FM-SR086TBJ, FM-SR086CUTN, FM-SR086CU Cable from Fairview Microwave is in-stock and available to ship same-day. All of our RF/microwave products are available off-the-shelf from our ISO 9001:2008 certified facilities in Lewisville, Texas. Fairview Microwave is RF on-demand.

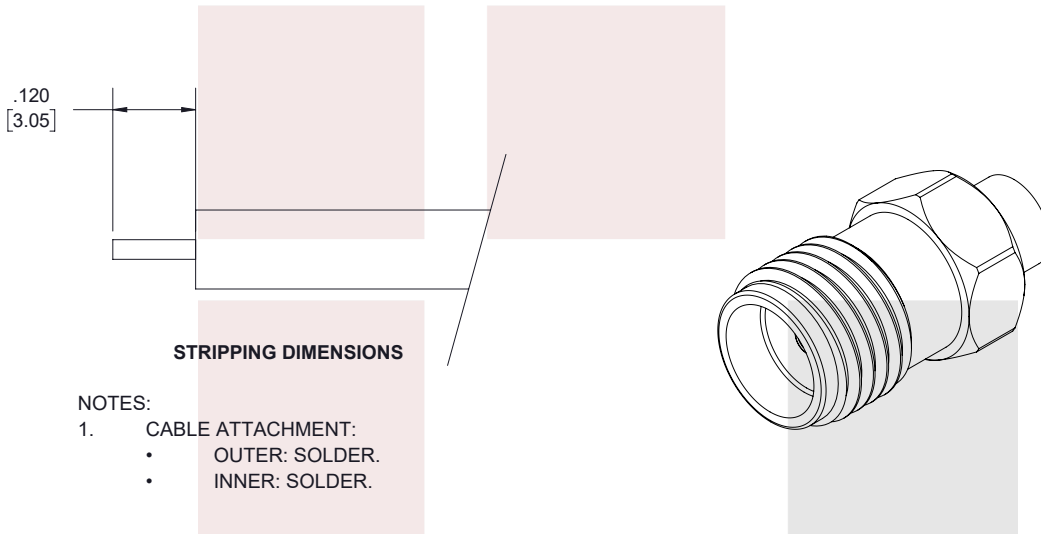
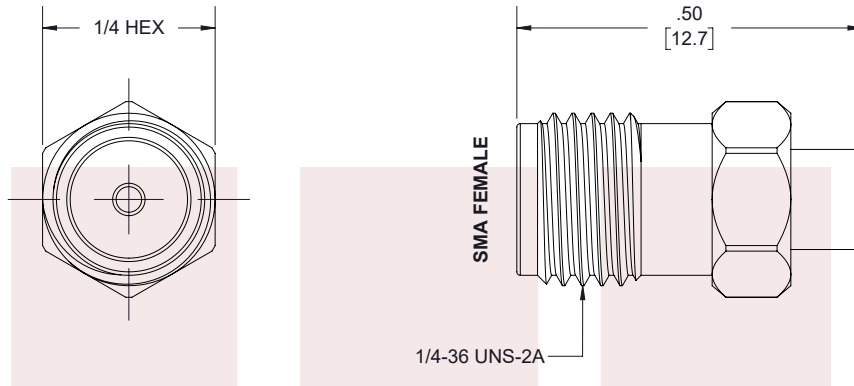
For additional information on this product, please click the following link: [SMA Female Connector Solder Attachment for FM-SR086ALTN, FM-SR086TB, FM-SR086TBJ, FM-SR086CUTN, FM-SR086CU Cable FMCN1418](#)

URL: <https://www.fairviewmicrowave.com/sma-female-fm-sr086altn-fm-sr086tb-fm-sr405flj-fm-sr086cutn-fm-sr086cu-connector-fmcn1418-p.aspx>

The information contained in this document is accurate to the best of our knowledge and representative of the part described herein. It may be necessary to make modifications to the part and/or the documentation of the part, in order to implement improvements. Fairview Microwave reserves the right to make such changes as required. Unless otherwise stated, all specifications are nominal. Fairview Microwave does not make any representation or warranty regarding the suitability of the part described herein for any particular purpose, and Fairview Microwave does not assume any liability arising out of the use of any part or documentation.



REVISIONS			
REV.	DESCRIPTION	DATE	APPROVED
A	INITIAL RELEASE	11/21/19	S.ELLIS



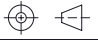
- NOTES:
- CABLE ATTACHMENT:
    - OUTER: SOLDER.
    - INNER: SOLDER.

THESE COMMODITIES, TECHNOLOGY OR SOFTWARE WERE EXPORTED FROM THE UNITED STATES IN ACCORDANCE WITH THE EXPORT ADMINISTRATION REGULATIONS. DIVERSION CONTRARY TO U.S. LAW PROHIBITED.

TITLE  
SMA Female Connector Solder Attachment for FM-SR086ALTN, FM-SR086TB, FM-SR086TBJ, FM-SR086CUTN, FM-SR086CU Cable

UNLESS OTHERWISE SPECIFIED LEADING DIMENSIONS ARE INCHES  
DIMENSIONS IN [ ] ARE MILLIMETERS

TOLERANCES:		CABLE LENGTH (L) TOLERANCES:	
.X = ±.2 [5.08]	FRACTIONS ± 1/32	L ≤ 12 [305] = +1 [25] / -0	
.XX = ±.02 [.51]		12 [305] < L ≤ 60 [1524] = +2 [51] / -0	
.XXX = ±.005 [.13]	ANGLES ± 1°	60 [1524] < L ≤ 120 [3048] = +4 [102] / -0	
		120 [3048] < L ≤ 300 [7620] = +6 [152] / -0	
		300 [7620] < L = +5%L / -0	

THIRD-ANGLE PROJECTION  
  
THE INFORMATION AND DESIGN IN THIS DOCUMENT IS THE PROPERTY OF FAIRVIEW MICROWAVE CORPORATION. ALL RIGHTS RESERVED.

ALL DIMENSIONS SHOWN ARE FOR REFERENCE ONLY.				
SIZE A	CAGE CODE 3FKR5	DRAWN BY K.DANG	PART NUMBER FMCN1418	REV A

SHEET 1 OF 1  
SCALE N/A

T-Rev.D