

75 Ohm BNC Male (Plug) Connector For Belden 1855A Cable, Compression

75 Ohm BNC male connector with compression attachment for Belden 1855A, part number FMCN1421, from Fairview Microwave is in-stock and ships same day.

Fairview's 75 ohm BNC male connector FMCN1421 datasheet specifications and outline drawing are shown in this PDF below. Our extensive offering of RF, microwave and millimeter wave connectors allows designers to configure and customize their signal connections however they like. From providing an I/O for a board design to creating a custom cable assembly configuration, Fairview Microwave has a connector solution to meet your needs. Fairview Microwave also has the expertise to build your custom cable assemblies for you and ship them same-day.

Mechanical Specifications

Size	
Length	1.367 in [34.72 mm]
Width/Dia.	0.57 in [14.48 mm]
Weight	0.035 lbs [15.88 g]

Material Specifications

Description	Material	Plating
Contact	Brass	Gold
Insulation	HDPE	
Body	Brass	Nickel

Compliance Certifications (see [product page](#) for current document)

Plotted and Other Data

Notes:



Configuration:

- BNC Male Connector
- 75 Ohms
- Straight Body Geometry
- Belden 1855A Interface Type
- Compression Attachment

Features:

- Gold Plated Brass Contact

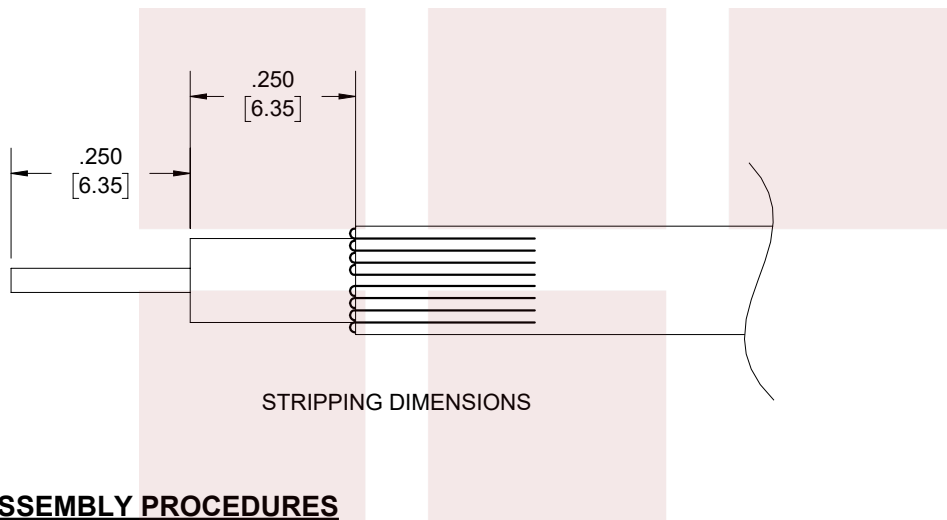
Applications:

- General Purpose Test
- Custom Cable Assemblies
- CATV

Fairview Microwave
301 Leora Ln., Suite 100
Lewisville, TX 75056
Tel: 1-800-715-4396 / (972) 649-6678
Fax: (972) 649-6689
www.fairviewmicrowave.com
sales@fairviewmicrowave.com

Assembly Instruction

*



ASSEMBLY PROCEDURES

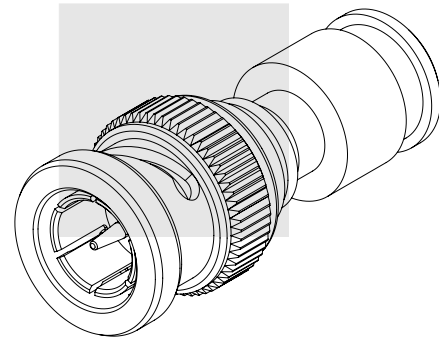
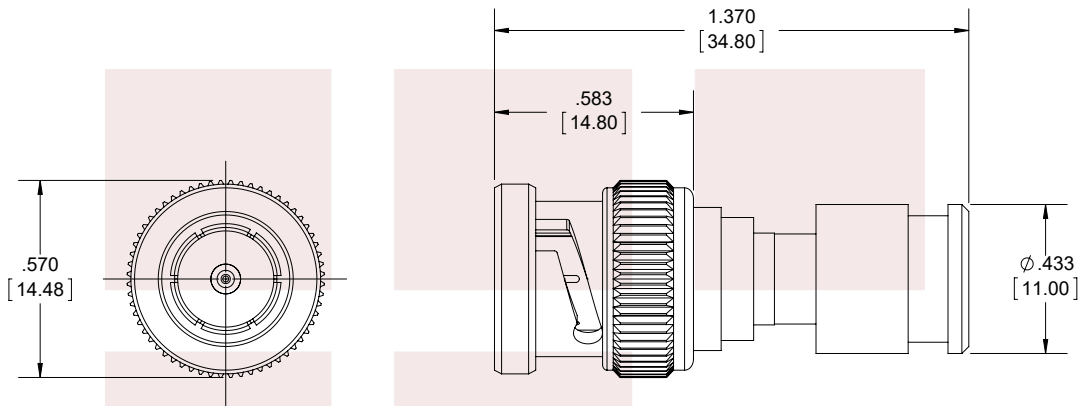
1. STRIP CABLE TO THE DIMENSIONS SHOWN, DO NOT NICK CENTER CONDUCTOR OR BRAID AND FOIL SHOULD REMAIN ON DIELECTRIC.
2. FOLD BRAID BACK OVER JACKET AS SHOWN.
3. INSERT PREPARED CABLE INTO CONNECTOR. PUSH CABLE FORWARD INTO CONNECTOR WHILE SLIGHTLY TWISTING CONNECTOR & COMPRESS USING CRIMP TOOL PE5012.

75 Ohm BNC Male (Plug) Connector For Belden 1855A Cable, Compression from Fairview Microwave is in-stock and available to ship same-day. All of our RF/microwave products are available off-the-shelf from our ISO 9001:2008 certified facilities in Lewisville, Texas. Fairview Microwave is RF on-demand.

For additional information on this product, please click the following link: [75 Ohm BNC Male \(Plug\) Connector For Belden 1855A Cable, Compression FMCN1421](#)

URL: <https://www.fairviewmicrowave.com/bnc-male-belden-1855a-connector-fmcn1421-p.aspx>

The information contained in this document is accurate to the best of our knowledge and representative of the part described herein. It may be necessary to make modifications to the part and/or the documentation of the part, in order to implement improvements. Fairview Microwave reserves the right to make such changes as required. Unless otherwise stated, all specifications are nominal. Fairview Microwave does not make any representation or warranty regarding the suitability of the part described herein for any particular purpose, and Fairview Microwave does not assume any liability arising out of the use of any part or documentation.



STANDARD TOLERANCES

.X ± 0.2
.XX ± 0.01
.XXX ± 0.005

*STANDARD TOLERANCES APPLY ONLY TO DIMENSIONS IN INCHES

FAIRVIEW MICROWAVE INC. ALLEN, TX 75013 WWW.FAIRVIEWMICROWAVE.COM		NOTES: 1. UNLESS OTHERWISE SPECIFIED ALL DIMENSIONS ARE NOMINAL. 2. ALL SPECIFICATIONS ARE SUBJECT TO CHANGE WITHOUT NOTICE AT ANY TIME. 3. DIMENSIONS ARE IN INCHES [mm].			
TITLE 75 Ohm BNC Male (Plug) Connector For Belden 1855A Cable, Compression		DWG NO FMCN1421		CAGE CODE 3FKR5	
CAD FILE	091517	SHEET	1 OF 1	SCALE	N/A
		SIZE	A		7361