

2.4mm Male Connector Solder Attachment For FM-SR047CU-COIL, FM-SR047CU-STR, FM-SR047ALTN-COIL Cable

2.4mm male connector with solder attachment for FM-SR047CU-COIL, FM-SR047CU-STR and FM-SR047ALTN-COIL, part number FMCN1427, from Fairview Microwave is in-stock and ships same day. This 2.4mm male connector operates up to a maximum frequency of 50 GHz and offers excellent VSWR of 1.16:1.

Fairview's 2.4mm male connector FMCN1427 datasheet specifications and outline drawing are shown in this PDF below. Our extensive offering of RF, microwave and millimeter wave connectors allows designers to configure and customize their signal connections however they like. From providing an I/O for a board design to creating a custom cable assembly configuration, Fairview Microwave has a connector solution to meet your needs. Fairview Microwave also has the expertise to build your custom cable assemblies for you and ship them same-day.

Electrical Specifications

| Description | Min | Typ | Max | Units |
|--|-------|-----|--------|-------|
| Frequency Range | DC | | 50 | GHz |
| VSWR | | | 1.16:1 | |
| Insertion Loss | | | 0.283 | dB |
| Operating Voltage (AC) | | | 170 | Vrms |
| DWV (AC) | | | 500 | Vrms |
| High Potential Voltage 5 to 7.5 MHz | | | 325 | Vrms |
| Corona Discharge at 70,000 ft | | | 125 | Vrms |
| Insulation Resistance | 5,000 | | | MOhms |
| RF Leakage | -90 | | | dB |

Performance by Frequency

| Description | F1 | F2 | F3 | F4 | F5 | Units |
|-------------|----------|------------|------------|----------|----|-------|
| Freq. Range | DC to 18 | 18 to 26.5 | 26.5 to 40 | 40 to 50 | | GHz |
| VSWR, Max | 1.1:1 | 1.12:1 | 1.14:1 | 1.16:1 | | |

Electrical Specification Notes:
 Insertion loss: 0.04 x sqrt(fGHz) dB.

Mechanical Specifications

| | |
|---------------|----------------------------------|
| Size | |
| Length | 0.56 in [14.22 mm] |
| Width/Dia. | 0.312 in [7.92 mm] |
| Height | 0.35 in [8.89 mm] |
| Weight | 0.007 lbs [3.18 g] |
| Mating Cycles | 500 Cycles |
| Mating Torque | 8 to 10 in-lbs [0.90 to 1.13 Nm] |



Configuration:

- 2.4mm Male Connector
- 50 Ohms
- Straight Body Geometry
- FM-SR047CU-COIL, FM-SR-047CU-STR, FM-SR047ALTN-COIL Interface Type
- Solder Attachment
- 5/16 inch Hex

Features:

- Operating Frequency of 50 GHz Max.
- Excellent VSWR of 1.16:1
- Gold over Nickel Plated Beryllium Copper Contact
- 50 µin minimum contact plating

Applications:

- General Purpose Test
- Custom Cable Assemblies

Fairview Microwave
 301 Leora Ln., Suite 100
 Lewisville, TX 75056
 Tel: 1-800-715-4396 / (972) 649-6678
 Fax: (972) 649-6689
www.fairviewmicrowave.com
sales@fairviewmicrowave.com

Material Specifications

| Description | Material | Plating |
|----------------|----------------------------|------------------------------------|
| Contact | Beryllium Copper | Gold over Nickel 50 µin minimum |
| Insulation | PEI | |
| Body | Beryllium Copper | Gold over Nickel 50 µin minimum |
| Coupling Nut | Passivated Stainless Steel | ASTM-A582 |
| Retaining Ring | Beryllium Copper | |
| Gasket | Silicone Rubber | |

Environmental Specifications

Temperature

Operating Range

-65 to +150 deg C

Shock

MIL-STD-202, Method 213, Condition I

Vibration

MIL-STD-202, Method 204, Condition D

Thermal Shock

MIL-STD-202, Method 107, Condition B

Salt Spray

MIL-STD-202, Method 101, Condition B, 5% salt solution

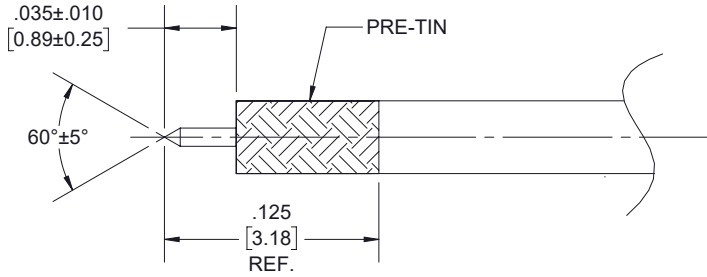
Compliance Certifications (see [product page](#) for current document)

Plotted and Other Data

Notes:

Assembly Instruction

*

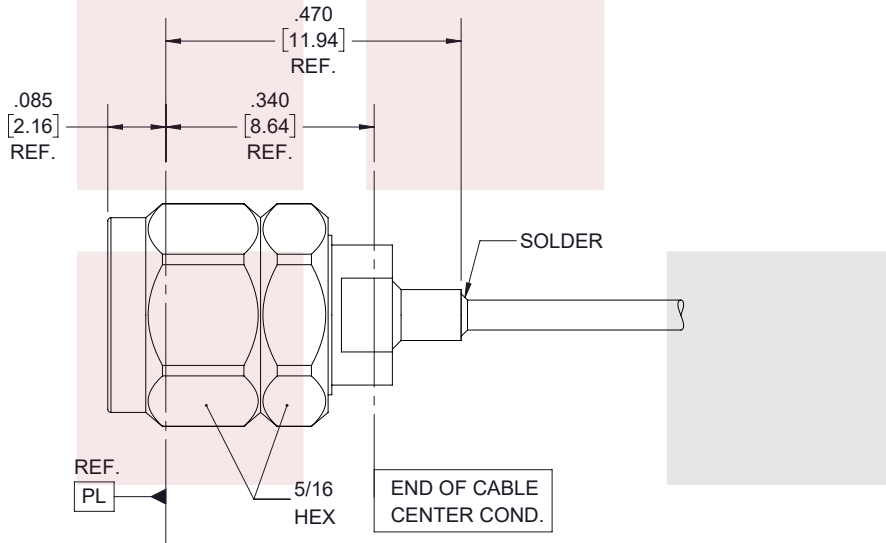


STEP 1:

- PRE-TIN CABLE OUTER JACKET OVER APPROX. LENGTH SHOWN.
- TRIM CABLE TO EXPOSE CENTER CONDUCTOR AS SHOWN.
- POINT CENTER CONDUCTOR AS INDICATED.

STEP 2:

- INSERT CABLE INTO CONNECTOR UNTIL CENTER CONDUCTOR PLUGS IN AND CABLE SEATS IN CONNECTOR BORE.
- SOLDER CABLE JACKET TO BODY WHERE SHOWN APPLYING HEAT TO EXTENDED BODY TAIL.



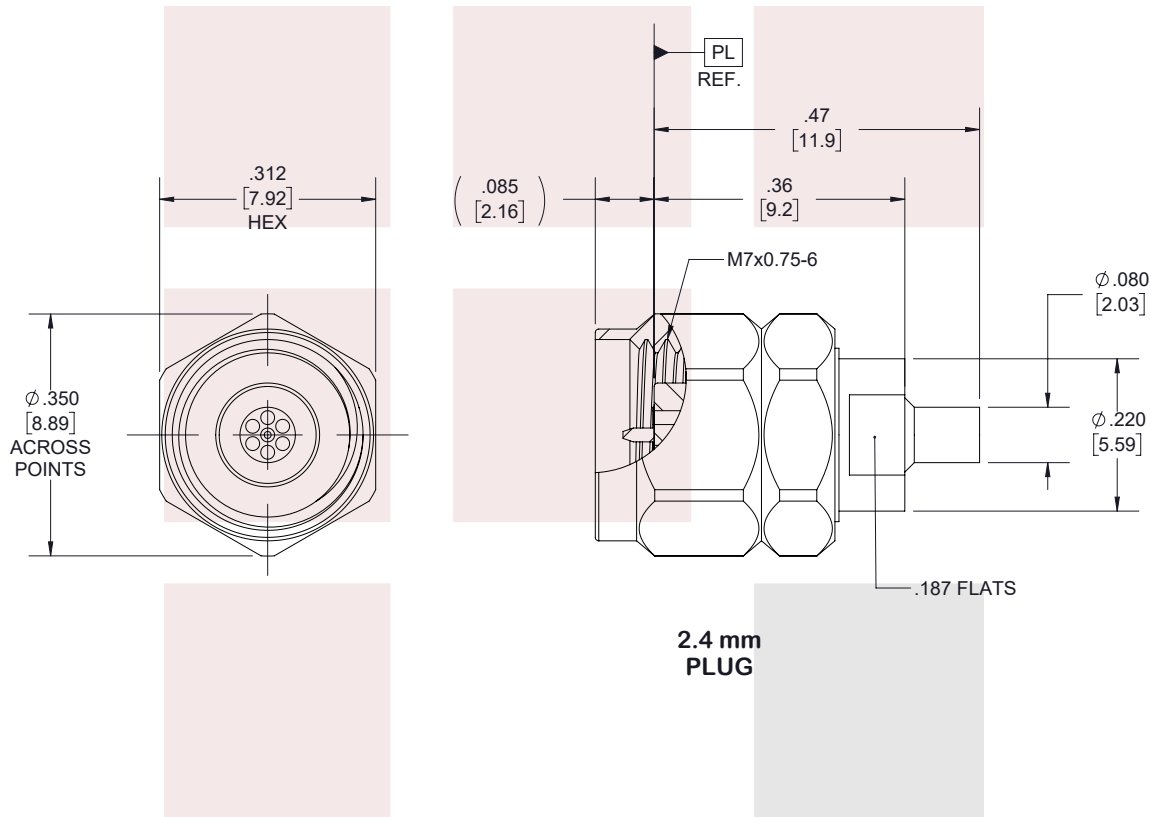
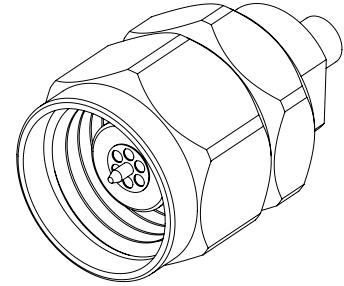
2.4mm Male Connector Solder Attachment For FM-SR047CU-COIL, FM-SR047CU-STR, FM-SR047ALTN-COIL Cable from Fairview Microwave is in-stock and available to ship same-day. All of our RF/microwave products are available off-the-shelf from our ISO 9001:2008 certified facilities in Allen, Texas. Fairview Microwave is RF on-demand.

For additional information on this product, please click the following link: [2.4mm Male Connector Solder Attachment For FM-SR047CU-COIL, FM-SR047CU-STR, FM-SR047ALTN-COIL Cable FMCN1427](#)

URL: <https://www.fairviewmicrowave.com/2.4mm-male-fm-sr047cu-coil-fm-sr047cu-str-fm-sr047altn-coil-connector-fmcn1427-p.aspx>

The information contained in this document is accurate to the best of our knowledge and representative of the part described herein. It may be necessary to make modifications to the part and/or the documentation of the part, in order to implement improvements. Fairview Microwave reserves the right to make such changes as required. Unless otherwise stated, all specifications are nominal. Fairview Microwave does not make any representation or warranty regarding the suitability of the part described herein for any particular purpose, and Fairview Microwave does not assume any liability arising out of the use of any part or documentation.





| STANDARD TOLERANCES | |
|---------------------|--------|
| .X | ±0.2 |
| .XX | ±0.02 |
| .XXX | ±0.005 |

*STANDARD TOLERANCES APPLY ONLY TO DIMENSIONS IN INCHES

| | | | | | | |
|--|--|---|--------|---------------------------|--------|-----------|
| FAIRVIEW MICROWAVE INC. | | NOTES: 1. UNLESS OTHERWISE SPECIFIED ALL DIMENSIONS ARE NOMINAL. 2. ALL SPECIFICATIONS ARE SUBJECT TO CHANGE WITHOUT NOTICE AT ANY TIME. 3. DIMENSIONS ARE IN INCHES [mm]. | | | | |
| ALLEN, TX 75013 WWW.FAIRVIEWMICROWAVE.COM | | DWG NO FMCN1427 | | CAGE CODE 3FKR5 | | |
| TITLE 2.4mm Male Connector Solder Attachment For FM-SR047CU-COIL, FM-SR047CU-STR, FM-SR047ALTN-COIL Cable | | CAD FILE | 110217 | SHEET | 1 OF 1 | SCALE N/A |
| | | SIZE | A | 7361 | | |