

1.85mm Male Connector Solder Attachment For FM-SR086CU-STR, FM-SR086CU-COIL, FM-SR086ALTN-COIL Cable

1.85mm male connector with solder attachment for FM-SR086CU-STR, FM-SR086CU-COIL and FM-SR086ALTN-COIL, part number FMCN1429, from Fairview Microwave is in-stock and ships same day. This 1.85mm male connector operates up to a maximum frequency of 60 GHz and offers excellent VSWR of 1.18:1.

Fairview's 1.85mm male connector FMCN1429 datasheet specifications and outline drawing are shown in this PDF below. Our extensive offering of RF, microwave and millimeter wave connectors allows designers to configure and customize their signal connections however they like. From providing an I/O for a board design to creating a custom cable assembly configuration, Fairview Microwave has a connector solution to meet your needs. Fairview Microwave also has the expertise to build your custom cable assemblies for you and ship them same-day.

Electrical Specifications

Description	Min	Typ	Max	Units
Frequency Range	DC		60	GHz
VSWR			1.18:1	
Insertion Loss			0.31	dB
Operating Voltage (AC)			335	Vrms
DWV (AC)			1,000	Vrms
High Potential Voltage 5 to 7.5 MHz			670	Vrms
Corona Discharge at 70,000 ft			250	Vrms
Insulation Resistance	5,000			MOhms
RF Leakage	-90			dB

Performance by Frequency

Description	F1	F2	F3	F4	F5	Units
Freq. Range	DC to 26.5	26.5 to 40	40 to 50	50 to 60		GHz
VSWR, Max	1.12:1	1.14:1	1.16:1	1.18:1		

Electrical Specification Notes:
Insertion loss: $0.04 \times \sqrt{f(\text{GHz})}$ dB.

Mechanical Specifications

Size	
Length	0.58 in [14.73 mm]
Width/Dia.	0.312 in [7.92 mm]
Height	0.35 in [8.89 mm]
Weight	0.008 lbs [3.63 g]
Mating Cycles	500 Cycles
Mating Torque	8 to 10 in-lbs [0.90 to 1.13 Nm]



Configuration:

- 1.85mm Male Connector
- 50 Ohms
- Straight Body Geometry
- FM-SR086CU-STR, FM-SR-086CU-COIL, FM-SR086ALTN-COIL Interface Type
- Solder Attachment
- 5/16 inch Hex

Features:

- Operating Frequency of 60 GHz Max.
- Excellent VSWR of 1.18:1
- Gold over Nickel Plated Beryllium Copper Contact
- 50 µin minimum contact plating

Applications:

- General Purpose Test
- Custom Cable Assemblies

Fairview Microwave
301 Leora Ln., Suite 100
Lewisville, TX 75056
Tel: 1-800-715-4396 / (972) 649-6678
Fax: (972) 649-6689
www.fairviewmicrowave.com
sales@fairviewmicrowave.com

Material Specifications

Description	Material	Plating
Contact	Beryllium Copper	Gold over Nickel 50 µin minimum
Insulation	PEI	
Body	Beryllium Copper	Gold over Nickel 50 µin minimum
Coupling Nut	Passivated Stainless Steel	ASTM-A582
Retaining Ring	Beryllium Copper	
Gasket	Silicone Rubber	

Environmental Specifications

Temperature

Operating Range	-65 to +150 deg C
Shock	MIL-STD-202, Method 213, Condition I
Vibration	MIL-STD-202, Method 204, Condition D
Thermal Shock	MIL-STD-202, Method 107, Condition B
Salt Spray	MIL-STD-202, Method 101, Condition B, 5% salt solution

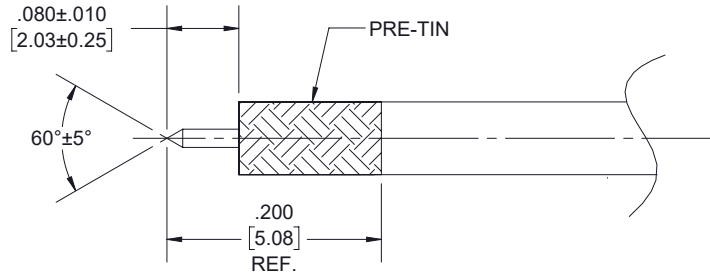
Compliance Certifications (see [product page](#) for current document)

Plotted and Other Data

Notes:

Assembly Instruction

*

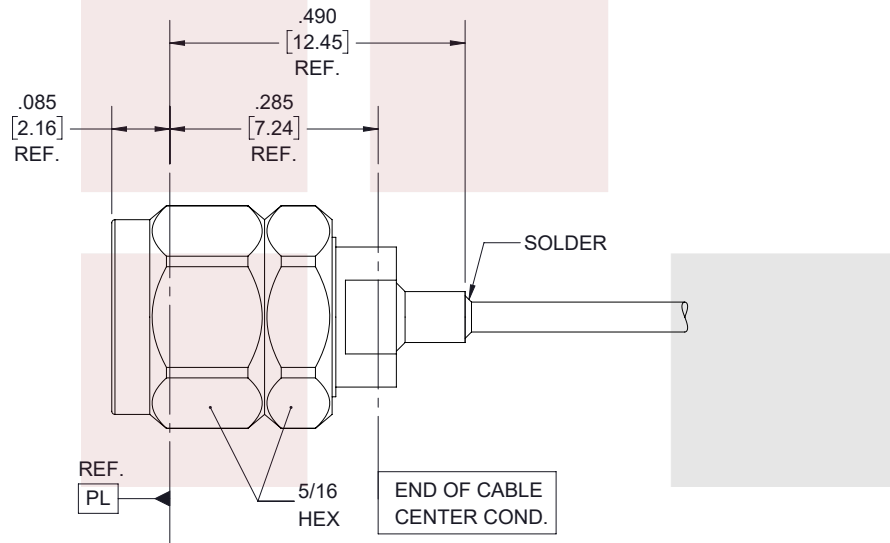


STEP 1:

- PRE-TIN CABLE OUTER JACKET OVER APPROX. LENGTH SHOWN.
- TRIM CABLE TO EXPOSE CENTER CONDUCTOR AS SHOWN.
- POINT CENTER CONDUCTOR AS INDICATED.

STEP 2:

- INSERT CABLE INTO CONNECTOR UNTIL CENTER CONDUCTOR PLUGS IN AND CABLE SEATS IN CONNECTOR BORE.
- SOLDER CABLE JACKET TO BODY WHERE SHOWN APPLYING HEAT TO EXTENDED BODY TAIL.



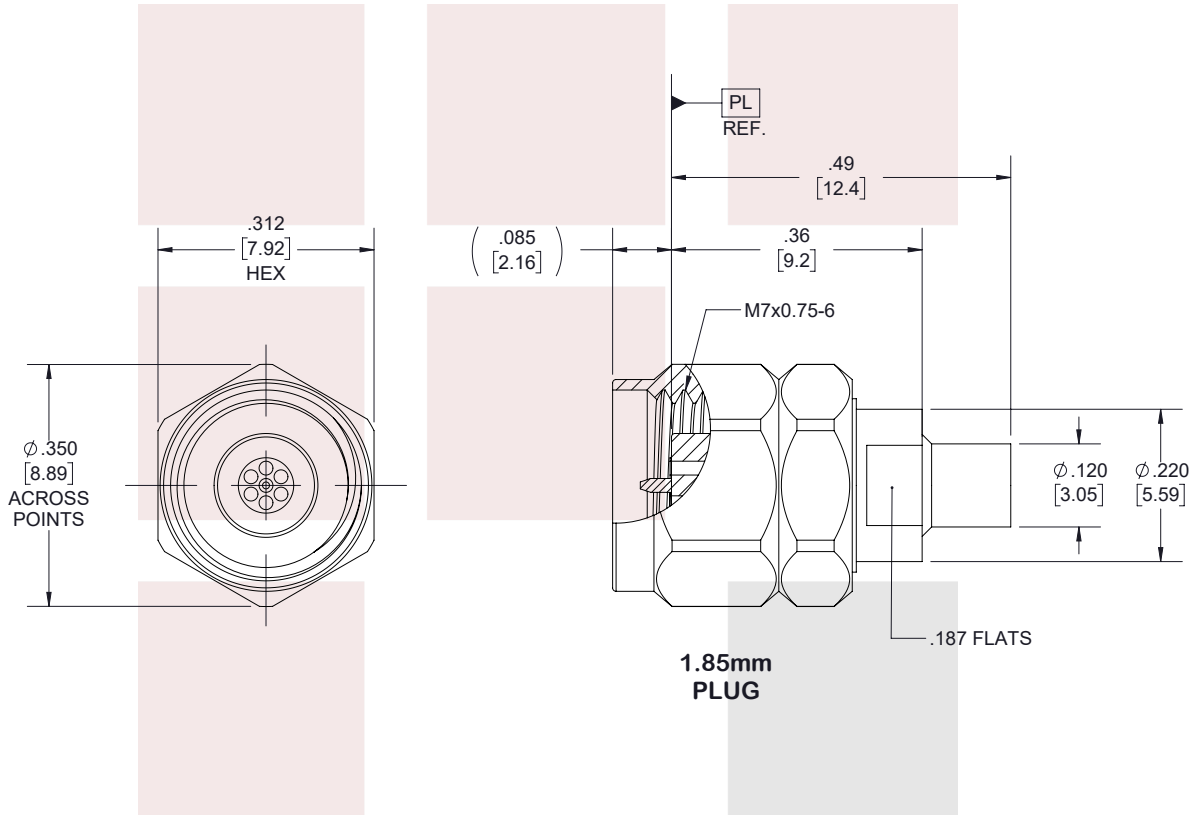
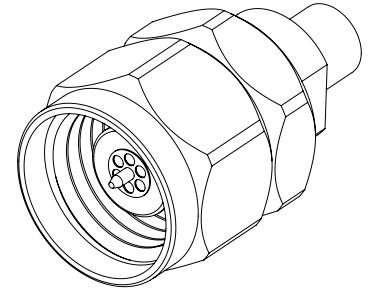
1.85mm Male Connector Solder Attachment For FM-SR086CU-STR, FM-SR086CU-COIL, FM-SR086ALTN-COIL Cable from Fairview Microwave is in-stock and available to ship same-day. All of our RF/microwave products are available off-the-shelf from our ISO 9001:2008 certified facilities in Allen, Texas. Fairview Microwave is RF on-demand.

For additional information on this product, please click the following link: [1.85mm Male Connector Solder Attachment For FM-SR086CU-STR, FM-SR086CU-COIL, FM-SR086ALTN-COIL Cable FMCN1429](#)

URL: <https://www.fairviewmicrowave.com/1.85mm-male-fm-sr086cu-str-fm-sr086cu-coil-fm-sr086altn-coil-connector-fmcn1429-p.aspx>

The information contained in this document is accurate to the best of our knowledge and representative of the part described herein. It may be necessary to make modifications to the part and/or the documentation of the part, in order to implement improvements. Fairview Microwave reserves the right to make such changes as required. Unless otherwise stated, all specifications are nominal. Fairview Microwave does not make any representation or warranty regarding the suitability of the part described herein for any particular purpose, and Fairview Microwave does not assume any liability arising out of the use of any part or documentation.





STANDARD TOLERANCES	
.X	±0.2
.XX	±0.02
.XXX	±0.005

*STANDARD TOLERANCES APPLY ONLY TO DIMENSIONS IN INCHES

FAIRVIEW MICROWAVE INC. ALLEN, TX 75013 WWW.FAIRVIEWMICROWAVE.COM		NOTES: 1. UNLESS OTHERWISE SPECIFIED ALL DIMENSIONS ARE NOMINAL. 2. ALL SPECIFICATIONS ARE SUBJECT TO CHANGE WITHOUT NOTICE AT ANY TIME. 3. DIMENSIONS ARE IN INCHES [mm].						
TITLE 1.85mm Male Connector Solder Attachment For FM-SR086CU-STR, FM-SR086CU-COIL, FM-SR086ALTN-COIL Cable		DWG NO FMCN1429		CAGE CODE 3FKR5				
CAD FILE	110217	SHEET	1 OF 1	SCALE	N/A	SIZE	A	7361