

TNC Male Connector Solder Attachment For RG405, FM-SR086CUTN, FM-SR086ALTN Cable

TNC male connector with solder/solder attachment for RG405, FM-SR086CUTN and FM-SR086ALTN, part number FMCN1462, from Fairview Microwave is in-stock and ships same day. This TNC male connector operates up to a maximum frequency of 6 GHz and offers good VSWR of 1.35:1.

Fairview's TNC male connector FMCN1462 datasheet specifications and outline drawing are shown in this PDF below. Our extensive offering of RF, microwave and millimeter wave connectors allows designers to configure and customize their signal connections however they like. From providing an I/O for a board design to creating a custom cable assembly configuration, Fairview Microwave has a connector solution to meet your needs. Fairview Microwave also has the expertise to build your custom cable assemblies for you and ship them same-day.

Electrical Specifications

Description	Min	Typ	Max	Units
Frequency Range	DC		6	GHz
VSWR			1.35:1	

Mechanical Specifications

Size	
Length	0.764 in [19.41 mm]
Width/Dia.	0.591 in [15.01 mm]

Material Specifications

Description	Material	Plating
Contact	Brass	Gold over Nickel
Insulation	PTFE	
Body	Brass	Nickel
Coupling Nut	Brass	Nickel

Environmental Specifications

Compliance Certifications (see [product page](#) for current document)

Plotted and Other Data

Notes:



Configuration:

- TNC Male Connector
- 50 Ohms
- Straight Body Geometry
- RG405, FM-SR086CUTN, FM-SR086ALTN Interface Type
- Solder/Solder Attachment

Features:

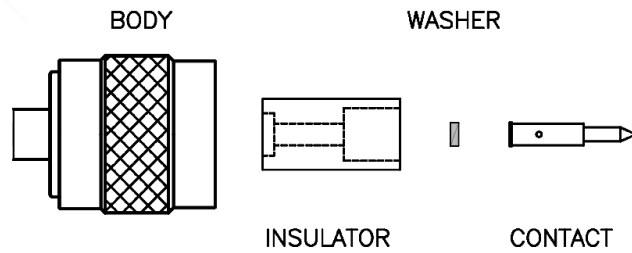
- Operating Frequency of 6 GHz Max.
- Good VSWR of 1.35:1
- Gold over Nickel Plated Brass Contact

Applications:

- General Purpose Test
- Custom Cable Assemblies

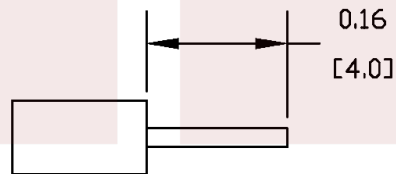
Fairview Microwave
 1130 Junction Dr. #100
 Allen, TX 75013
 Tel: 1-800-715-4396 / (972) 649-6678
 Fax: (972) 649-6689
www.fairviewmicrowave.com
sales@fairviewmicrowave.com

Assembly Instruction

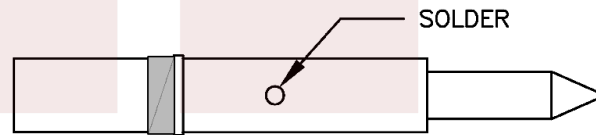


ASSEMBLY PROCEDURES

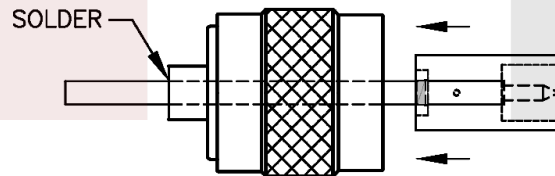
1. STRIP CABLE AS SHOWN. DO NOT NICK CENTER CONDUCTOR.



2. INSERT BODY THROUGH CABLE. PLACE WASHER OVER CENTER CONDUCTOR. PLACE CONTACT OVER CONDUCTOR UNTIL IT BOTTOMS OUT. SOLDER CONTACT TO CENTER CONDUCTOR AS SHOWN.



3. SLIDE INSULATOR THROUGH CONTACT UNTIL IT BOTTOMS OUT. INSERT INSULATOR TO BODY UNTIL IT MATES. SOLDER BODY TO CABLE.



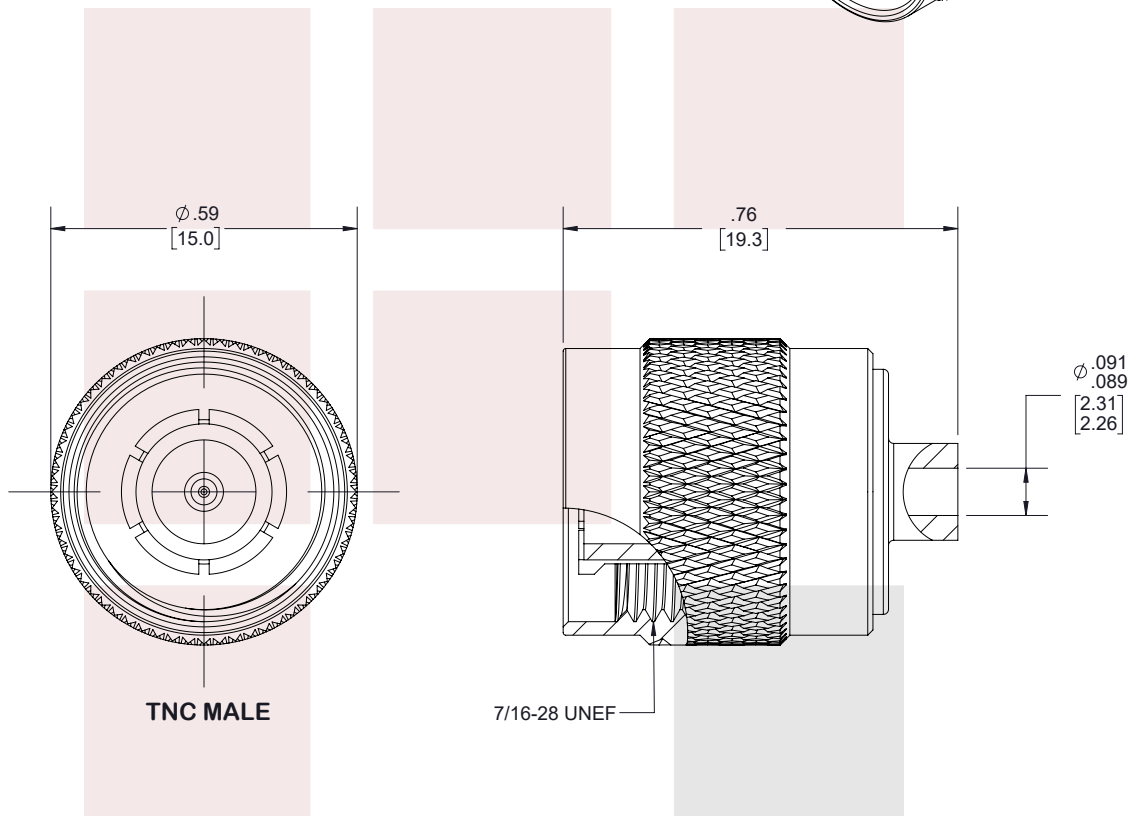
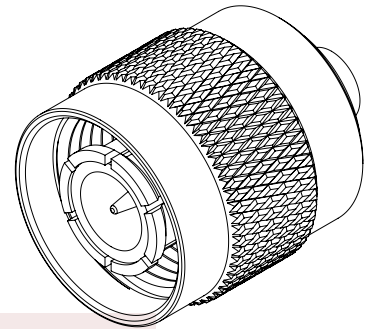
TNC Male Connector Solder Attachment For RG405, FM-SR086CUTN, FM-SR086ALTN Cable from Fairview Microwave is in-stock and available to ship same-day. All of our RF/microwave products are available off-the-shelf from our ISO 9001:2008 certified facilities in Allen, Texas. Fairview Microwave is RF on-demand.

For additional information on this product, please click the following link: [TNC Male Connector Solder Attachment For RG405, FM-SR086CUTN, FM-SR086ALTN Cable FMCN1462](#)

URL: <https://www.fairviewmicrowave.com/tnc-male-rg405-fm-sr086cutn-fm-sr086altn-connector-fmcn1462-p.aspx>

The information contained in this document is accurate to the best of our knowledge and representative of the part described herein. It may be necessary to make modifications to the part and/or the documentation of the part, in order to implement improvements. Fairview Microwave reserves the right to make such changes as required. Unless otherwise stated, all specifications are nominal. Fairview Microwave does not make any representation or warranty regarding the suitability of the part described herein for any particular purpose, and Fairview Microwave does not assume any liability arising out of the use of any part or documentation.





STANDARD TOLERANCES	
.X	±0.2
.XX	±0.01
.XXX	±0.005

*STANDARD TOLERANCES APPLY ONLY TO DIMENSIONS IN INCHES

FAIRVIEW MICROWAVE INC. ALLEN, TX 75013 WWW.FAIRVIEWMICROWAVE.COM		NOTES: 1. UNLESS OTHERWISE SPECIFIED ALL DIMENSIONS ARE NOMINAL. 2. ALL SPECIFICATIONS ARE SUBJECT TO CHANGE WITHOUT NOTICE AT ANY TIME. 3. DIMENSIONS ARE IN INCHES [mm].						
TITLE TNC Male Connector Solder Attachment For RG405, FM-SR086CUTN, FM-SR086ALTN Cable		DWG NO FMCN1462		CAGE CODE 3FKR5				
CAD FILE	111617	SHEET	1 OF 1	SCALE	N/A	SIZE	A	7361