

1.85mm Male Connector Solder Attachment for FMBC003, FMBC004 Cable Low Loss 070 Semi-Rigid

1.85mm male connector with solder attachment for FMBC003 and FMBC004, part number FMCN1507, from Fairview Microwave is in-stock and ships same day.

Fairview's 1.85mm male connector FMCN1507 datasheet specifications and outline drawing are shown in this PDF below. Our extensive offering of RF, microwave and millimeter wave connectors allows designers to configure and customize their signal connections however they like. From providing an I/O for a board design to creating a custom cable assembly configuration, Fairview Microwave has a connector solution to meet your needs. Fairview Microwave also has the expertise to build your custom cable assemblies for you and ship them same-day.

Electrical Specifications

Description	Min	Typ	Max	Units
VSWR			1.18:1	
DWV (AC)			600	Vrms
High Potential Voltage			400	Vrms
Corona Discharge			150	Vrms
Insulation Resistance	5,000			MOhms
RF Leakage	-90			dB

Performance by Frequency

Description	F1	F2	F3	F4	F5	Units
Freq. Range	DC to 26.5	26.5 to 40	40 to 50	50 to 70		GHz
VSWR, Max	1.12:1	1.14:1	1.16:1	1.18:1		

Electrical Specification Notes:
 Insertion Loss = $0.04 * \text{SQRT}(F_{\text{ghz}})$ dB

Mechanical Specifications

Size	
Length	0.585 in [14.86 mm]
Width/Dia.	0.35 in [8.89 mm]
Weight	0.01 lbs [4.54 g]
Mating Cycles	500 Cycles
Mating Torque	8 to 10 in-lbs [0.90 to 1.13 Nm]

Material Specifications

Description	Material	Plating
Contact	Beryllium Copper	Gold ASTM-B488
Insulation	PTFE	
Body	Beryllium Copper	Gold ASTM-B488



Configuration:

- 1.85mm Male Connector
- 50 Ohms
- Straight Body Geometry
- FMBC003, FMBC004 Interface Type
- Solder Attachment

Features:

- Excellent VSWR of 1.18:1
- Gold Plated Beryllium Copper Contact
- Contact plating according to ASTM-B488

Applications:

- General Purpose Test
- Custom Cable Assemblies

Fairview Microwave
 301 Leora Ln., Suite 100
 Lewisville, TX 75056
 Tel: 1-800-715-4396 / (972) 649-6678
 Fax: (972) 649-6689
www.fairviewmicrowave.com
sales@fairviewmicrowave.com

Coupling Nut	Steel
Gasket	Silicone Rubber

Environmental Specifications

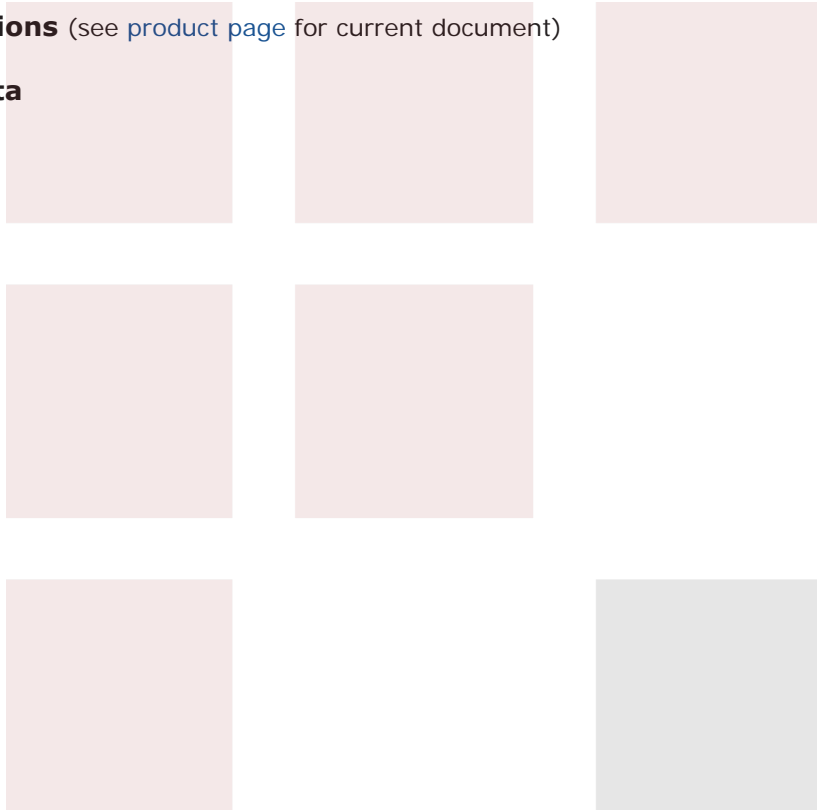
Temperature

Operating Range	-65 to +150 deg C
Shock	MIL-STD-202, Method 213, Condition I
Vibration	MIL-STD-202, Method 204, Condition D
Thermal Shock	MIL-STD-202, Method 107, Condition B

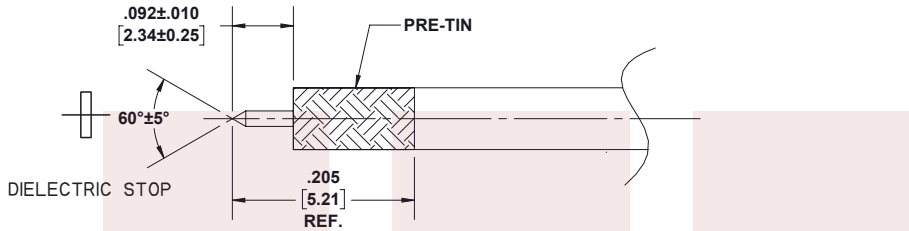
Compliance Certifications (see [product page](#) for current document)

Plotted and Other Data

Notes:



Assembly Instruction

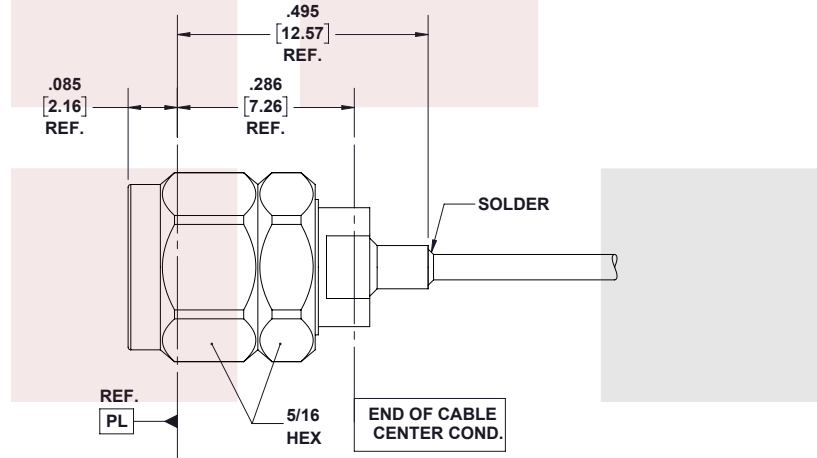


STEP 1:

- PRE-TIN CABLE OUTER JACKET OVER APPROX. LENGTH SHOWN.
- TRIM CABLE TO EXPOSE CENTER CONDUCTOR AS SHOWN.
- POINT CENTER CONDUCTOR AS INDICATED.
- SLIDE DIELECTRIC STOP ONTO CENTER CONDUCTOR AGAINST OUTER JACKET.

STEP 2:

- INSERT CABLE INTO CONNECTOR UNTIL CENTER CONDUCTOR PLUGS IN AND CABLE SEATS IN CONNECTOR BORE.
- SOLDER CABLE JACKET TO BODY WHERE SHOWN APPLYING HEAT TO EXTENDED BODY TAIL.



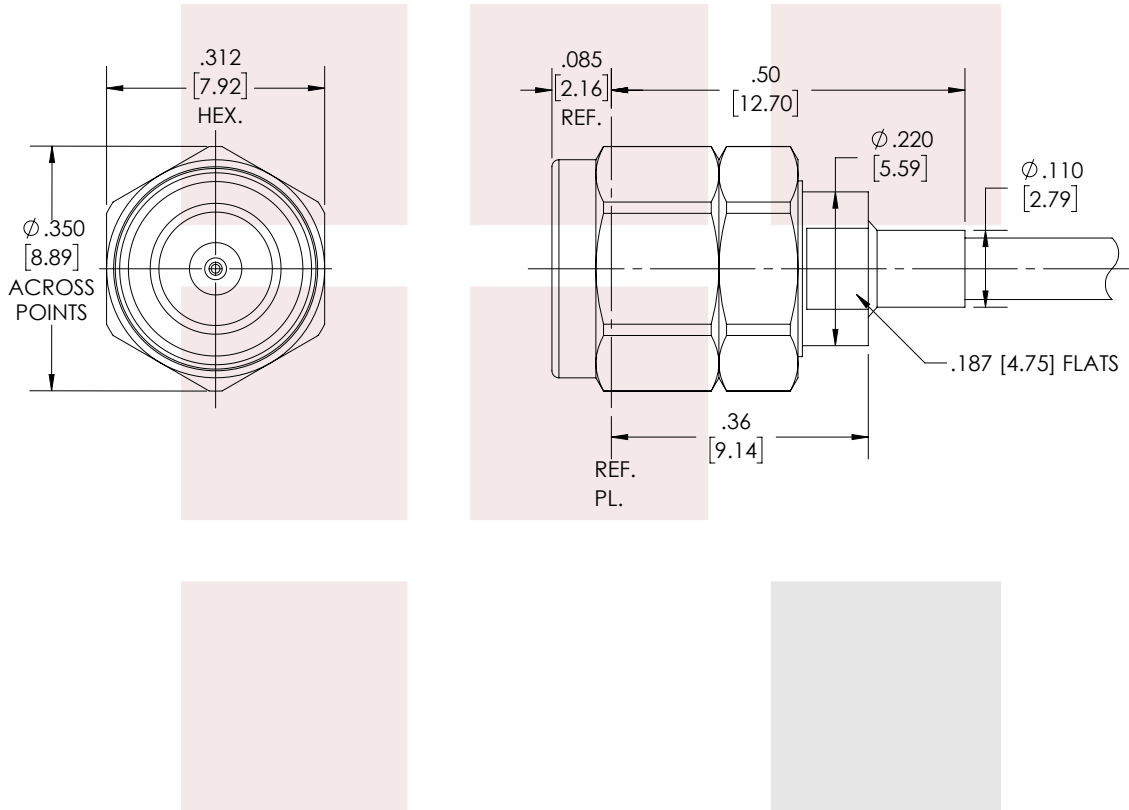
1.85mm Male Connector Solder Attachment for FMBC003, FMBC004 Cable Low Loss 070 Semi-Rigid from Fairview Microwave is in-stock and available to ship same-day. All of our RF/microwave products are available off-the-shelf from our ISO 9001:2008 certified facilities in Allen, Texas. Fairview Microwave is RF on-demand.

For additional information on this product, please click the following link: [1.85mm Male Connector Solder Attachment for FMBC003, FMBC004 Cable Low Loss 070 Semi-Rigid FMCN1507](#)

URL: <https://www.fairviewmicrowave.com/1.85mm-male-fmbc003-fmbc004-connector-fmcn1507-p.aspx>

The information contained in this document is accurate to the best of our knowledge and representative of the part described herein. It may be necessary to make modifications to the part and/or the documentation of the part, in order to implement improvements. Fairview Microwave reserves the right to make such changes as required. Unless otherwise stated, all specifications are nominal. Fairview Microwave does not make any representation or warranty regarding the suitability of the part described herein for any particular purpose, and Fairview Microwave does not assume any liability arising out of the use of any part or documentation.





STANDARD TOLERANCES	
.X	±0.2
.XX	±0.01
.XXX	±0.005

NOTES: DISTANCE FROM END OF CABLE
CENTER COND. TO REF. PL. IS .286

*STANDARD TOLERANCES APPLY
ONLY TO DIMENSIONS IN INCHES

	NOTES: 1. UNLESS OTHERWISE SPECIFIED ALL DIMENSIONS ARE NOMINAL. 2. ALL SPECIFICATIONS ARE SUBJECT TO CHANGE WITHOUT NOTICE AT ANY TIME. 3. DIMENSIONS ARE IN INCHES [mm].			
	TITLE 1.85mm Male Connector Solder Attachment for FMBC003, FMBC004 Cable Low Loss 070 Semi-Rigid	DWG NO FMCN1507	CAGE CODE 3FKR5	
CAD FILE 01/11/19	SHEET 1 OF 1	SCALE N/A	SIZE A	CN2379