

2.92mm Female PCB Connector End Launch Clamp/ Solder (Captive Contact) Attachment Removable End Launch, Low Profile

2.92mm jack removable end launch PCB connector, part number FMCN1513, from Fairview Microwave is in-stock and ships same day. This 2.92mm solderless edge launch connector operates to a maximum frequency of 40 GHz and offers outstanding VSWR of 1.4:1. The clamp-on installation does not require soldering, allowing the connector to be easily reused on multiple chip evaluations, SERDES or millimeter wave developments.

Fairview's 2.92mm solderless end launch PCB connector FMCN1513 datasheet specifications and outline drawing are shown in this PDF below. Our extensive offering of RF, microwave and millimeter wave connectors allows designers to configure and customize their signal connections however they like. From delivering increased data rates, signal integrity, or test fixtures, Fairview Microwave has the right PCB edge launch connector solutions to meet your needs. Fairview Microwave also has the expertise to build your custom cable assemblies for you and ship them same-day.



Configuration:

- 2.92mm Female Connector
- 50 Ohms
- Straight Body Geometry
- End Launch Interface Type
- Clamp/Solder (Captive Contact) Attachment

Features:

- Operating Frequency of 40 GHz Max.
- Good VSWR of 1.4:1
- Gold Plated Beryllium Copper Contact
- Solder or Solderless PCB Contact
- M1.6x0.35 Mounting Screws
- Reusable end launch installation

Applications:

- General Purpose Test
- PCB Applications
- Signal Integrity Measurement
- Coplanar Edge Launches
- Chip Evaluations
- 28 Gbps SERDES
- End Launch Test Fixtures
- Substrate Measurements

Electrical Specifications

Description	Min	Typ	Max	Units
Frequency Range	DC		40	GHz
VSWR			1.4:1	
Insertion Loss			0.38	dB
Operating Voltage (AC)			400	Vrms

Electrical Specification Notes:

Actual VSWR performance is largely dependent on circuit board design. For optimal results, the connector and circuit launch geometry should be modeled using Electromagnetic Simulation tools.

Mechanical Specifications

Size	
Length	0.742 in [18.85 mm]
Width/Dia.	0.5 in [12.70 mm]
Height	0.5 in [12.7 mm]
Weight	0.029 lbs [13.15 g]

Material Specifications

Description	Material	Plating
Contact	Beryllium Copper	Gold
Insulation	PEI	
Outer Conductor	Passivated Stainless Steel	
Body	Passivated Stainless Steel	

Mechanical Specification Notes:

Launch Pin is Gold Plated Beryllium Copper

Fairview Microwave
301 Leora Ln., Suite 100
Lewisville, TX 75056
Tel: 1-800-715-4396 / (972) 649-6678
Fax: (972) 649-6689
www.fairviewmicrowave.com
sales@fairviewmicrowave.com

Environmental Specifications

Temperature

Operating Range -40 to +125 deg C

Compliance Certifications (see [product page](#) for current document)

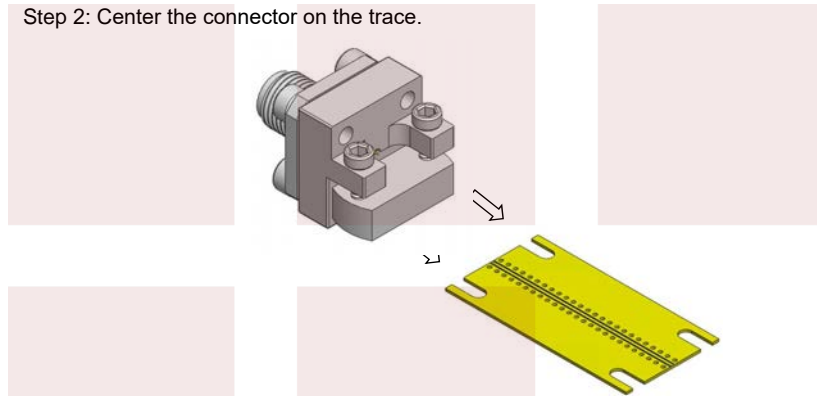
Plotted and Other Data

Notes:

Assembly Instruction

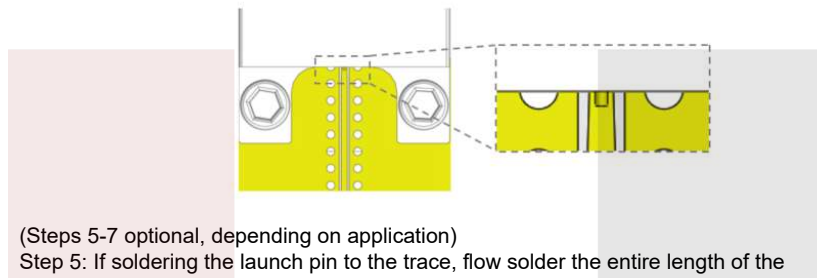
Step 1: Mount the end launch connector in the desired position on the board.

Step 2: Center the connector on the trace.



Step 3: Verify that the transition block is secured on the board.

Step 4: Tighten the M1.6-0.35 mounting screws to the boards suggested torque or until the connectors is secure.

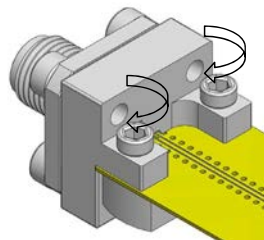


(Steps 5-7 optional, depending on application)

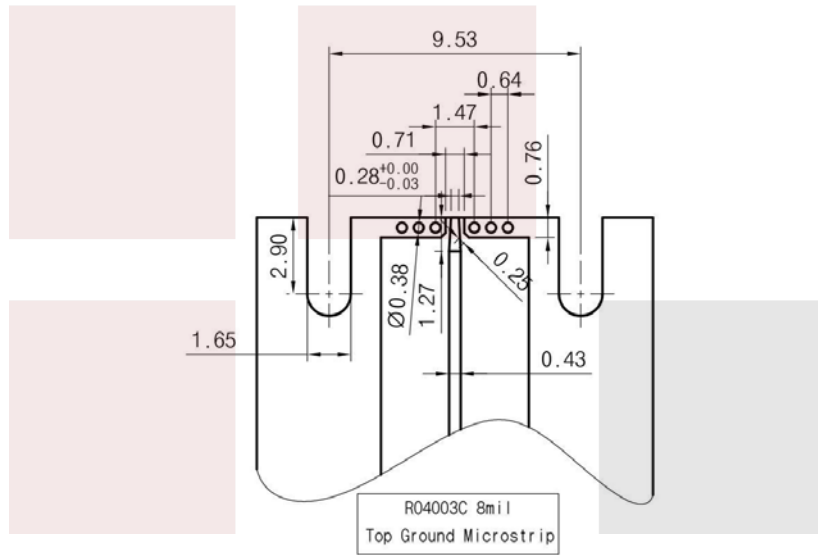
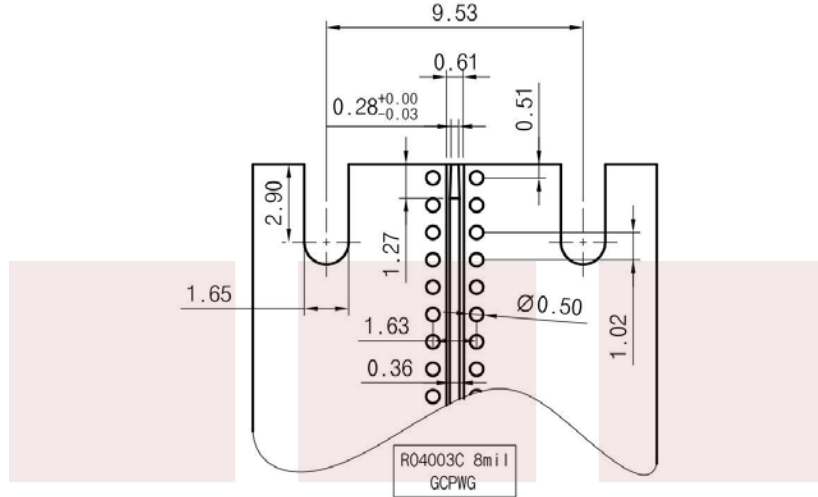
Step 5: If soldering the launch pin to the trace, flow solder the entire length of the contact area.

Step 6: To avoid performance mistakes, remove excess solder.

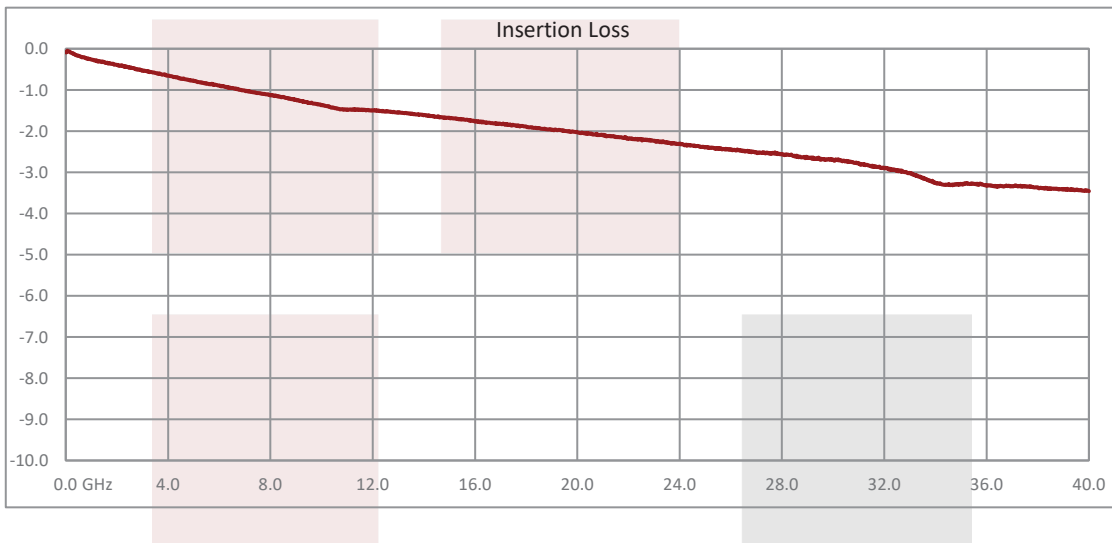
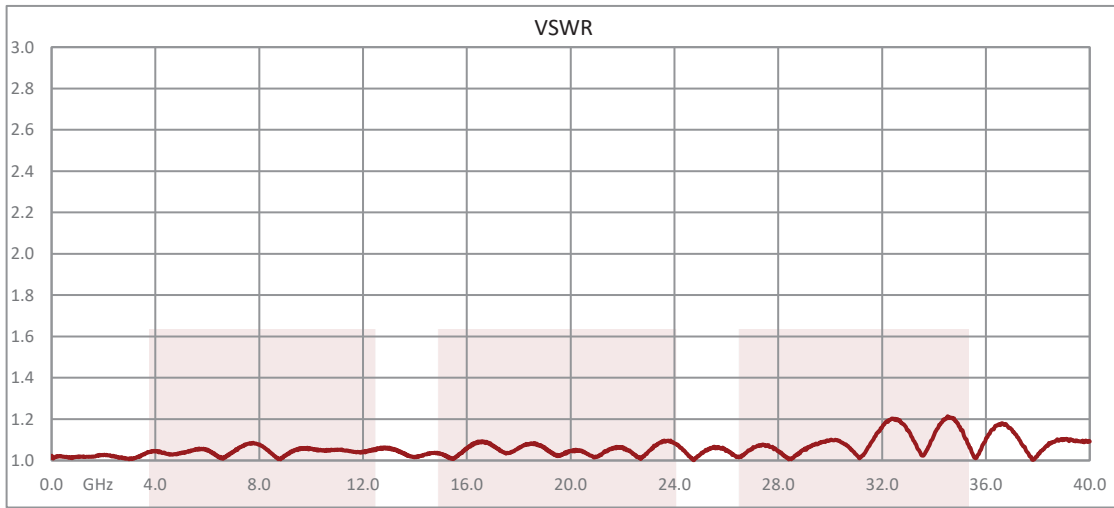
Step 7: Clean any residue from around the solder joint.



Recommended PCB Cutouts



Typical Performance Data



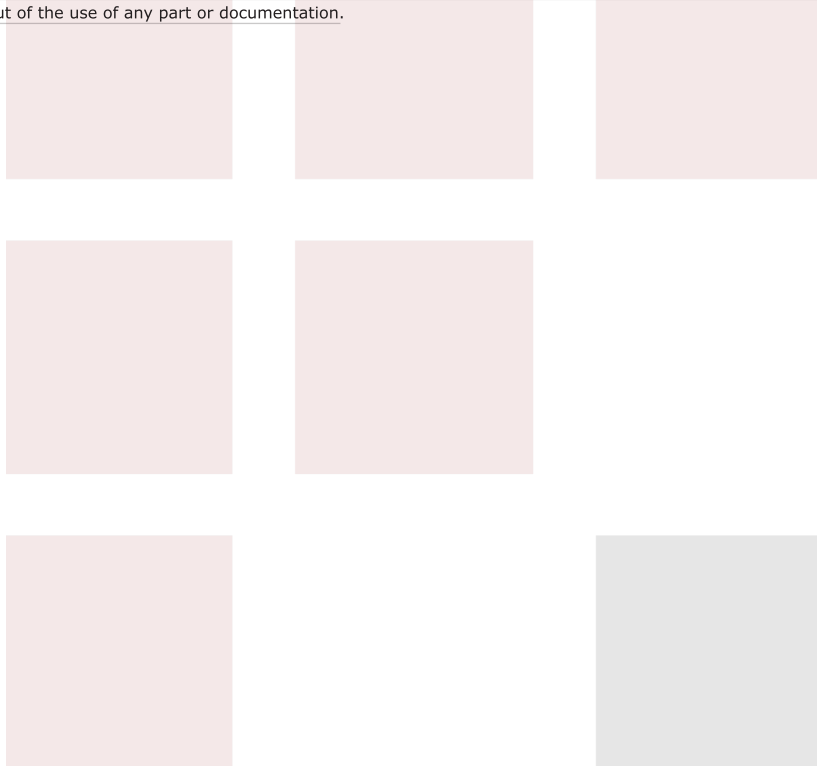
Measurement is for two connectors with 1.0 inch (25.4mm) length of substrate

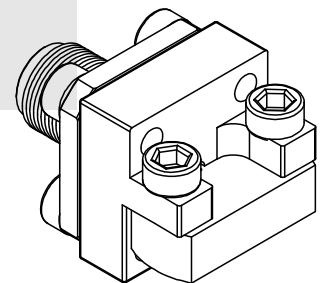
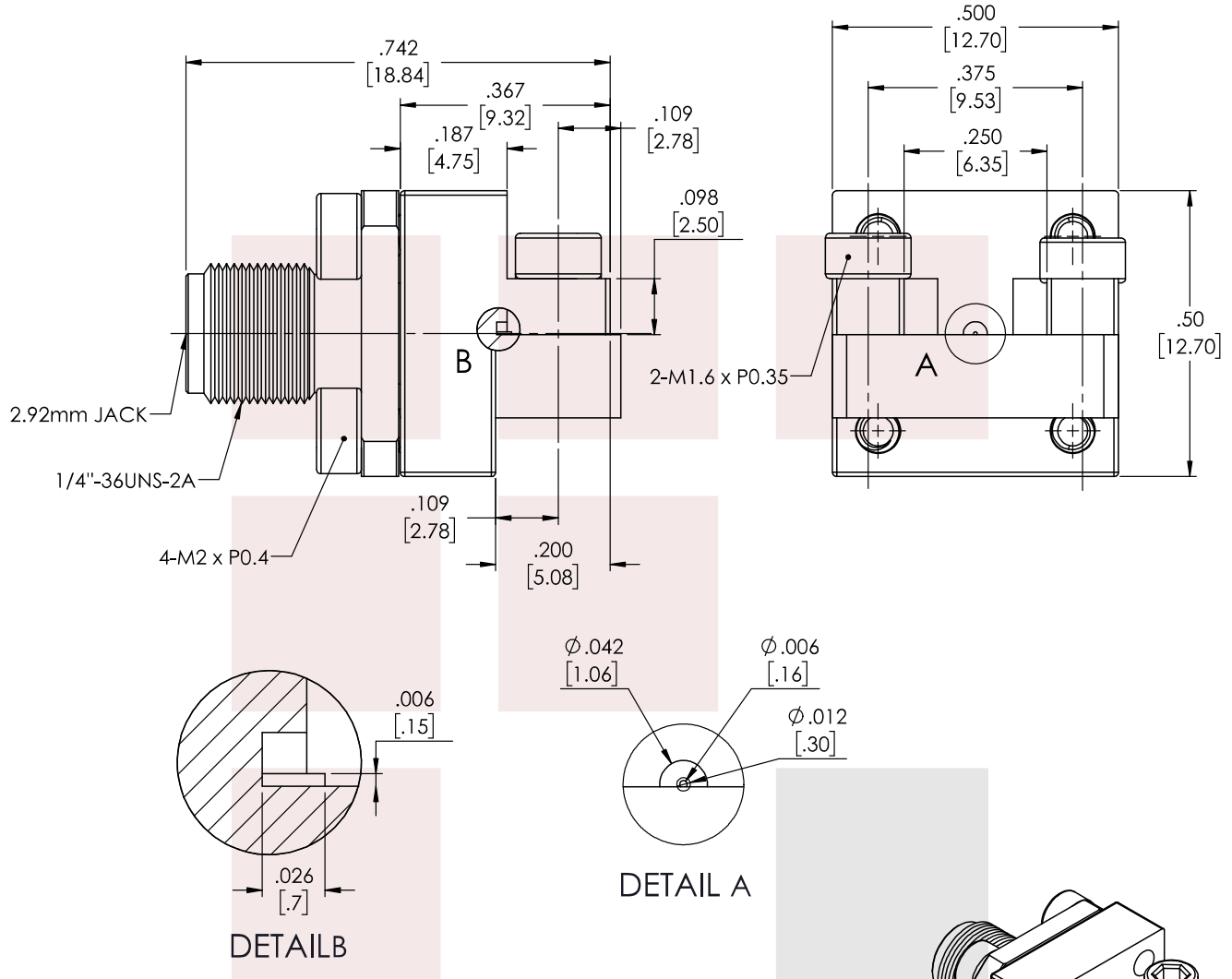
2.92mm Female PCB Connector End Launch Clamp/Solder (Captive Contact) Attachment Removable End Launch, Low Profile from Fairview Microwave is in-stock and available to ship same-day. All of our RF/microwave products are available off-the-shelf from our ISO 9001:2008 certified facilities in Allen, Texas. Fairview Microwave is RF on-demand.

For additional information on this product, please click the following link: [2.92mm Female PCB Connector End Launch Clamp/Solder \(Captive Contact\) Attachment Removable End Launch, Low Profile FMCN1513](#)

URL: <https://www.fairviewmicrowave.com/2.92mm-female-end-launch-pcb-connector-fmcn1513-p.aspx>

The information contained in this document is accurate to the best of our knowledge and representative of the part described herein. It may be necessary to make modifications to the part and/or the documentation of the part, in order to implement improvements. Fairview Microwave reserves the right to make such changes as required. Unless otherwise stated, all specifications are nominal. Fairview Microwave does not make any representation or warranty regarding the suitability of the part described herein for any particular purpose, and Fairview Microwave does not assume any liability arising out of the use of any part or documentation.





STANDARD TOLERANCES

- .X ±0.2
- .XX ±0.01
- .XXX ±0.005

*STANDARD TOLERANCES APPLY ONLY TO DIMENSIONS IN INCHES

FAIRVIEW MICROWAVE INC.

ALLEN, TX 75013 WWW.FAIRVIEWMICROWAVE.COM

NOTES:

1. UNLESS OTHERWISE SPECIFIED ALL DIMENSIONS ARE NOMINAL.
2. ALL SPECIFICATIONS ARE SUBJECT TO CHANGE WITHOUT NOTICE AT ANY TIME.
3. DIMENSIONS ARE IN INCHES [mm].

TITLE
 2.92mm Female PCB Connector End Launch Clamp/
 Solder (Captive Contact) Attachment Removable End
 Launch, Low Profile

DWG NO FMCN1513	CAGE CODE 3FKR5
CAD FILE 11/27/2017 SHEET	SCALE N/A SIZE A CN2245