

## 2.92mm Male PCB Connector End Launch Clamp/ Solder (Captive Contact) Attachment Removable End Launch, Low Profile

2.92mm plug removable end launch PCB connector, part number FMCN1515, from Fairview Microwave is in-stock and ships same day. This 2.92mm solderless edge launch connector operates to a maximum frequency of 40 GHz and offers outstanding VSWR of 1.4:1. The clamp-on installation does not require soldering, allowing the connector to be easily reused on multiple chip evaluations, SERDES or millimeter wave developments.

Fairview's 2.92mm solderless end launch PCB connector FMCN1515 datasheet specifications and outline drawing are shown in this PDF below. Our extensive offering of RF, microwave and millimeter wave connectors allows designers to configure and customize their signal connections however they like. From delivering increased data rates, signal integrity, or test fixtures, Fairview Microwave has the right PCB edge launch connector solutions to meet your needs. Fairview Microwave also has the expertise to build your custom cable assemblies for you and ship them same-day.



### Configuration:

- 2.92mm Male Connector
- 50 Ohms
- Straight Body Geometry
- End Launch Interface Type
- Clamp/Solder (Captive Contact) Attachment

### Features:

- Operating Frequency of 40 GHz Max.
- Good VSWR of 1.4:1
- Gold Plated Beryllium Copper Contact
- Solder or Solderless PCB Contact
- M1.6x0.35 Mounting Screws
- Reusable end launch installation

### Applications:

- General Purpose Test
- PCB Applications
- Signal Integrity Measurement
- Coplanar Edge Launches
- Chip Evaluations
- 28 Gbps SERDES
- End Launch Test Fixtures
- Substrate Measurements

### Electrical Specifications

Description	Min	Typ	Max	Units
Frequency Range	DC		40	GHz
VSWR			1.4:1	
Insertion Loss			0.38	dB
Operating Voltage (AC)			400	Vrms

#### Electrical Specification Notes:

Actual VSWR performance is largely dependent on circuit board design. For optimal results, the connector and circuit launch geometry should be modeled using Electromagnetic Simulation tools.

### Mechanical Specifications

<b>Size</b>	
Length	0.871 in [22.12 mm]
Width/Dia.	0.5 in [12.70 mm]
Height	0.5 in [12.7 mm]
Weight	0.033 lbs [14.97 g]

### Material Specifications

Description	Material	Plating
Contact	Beryllium Copper	Gold
Insulation	PEI	
Body	Passivated Stainless Steel	
Coupling Nut	Passivated Stainless Steel	

#### Mechanical Specification Notes:

Launch Pin is Gold Plated Beryllium Copper

Fairview Microwave  
301 Leora Ln., Suite 100  
Lewisville, TX 75056  
Tel: 1-800-715-4396 / (972) 649-6678  
Fax: (972) 649-6689  
[www.fairviewmicrowave.com](http://www.fairviewmicrowave.com)  
[sales@fairviewmicrowave.com](mailto:sales@fairviewmicrowave.com)

**Environmental Specifications**

**Temperature**

Operating Range -40 to +125 deg C

**Compliance Certifications** (see [product page](#) for current document)

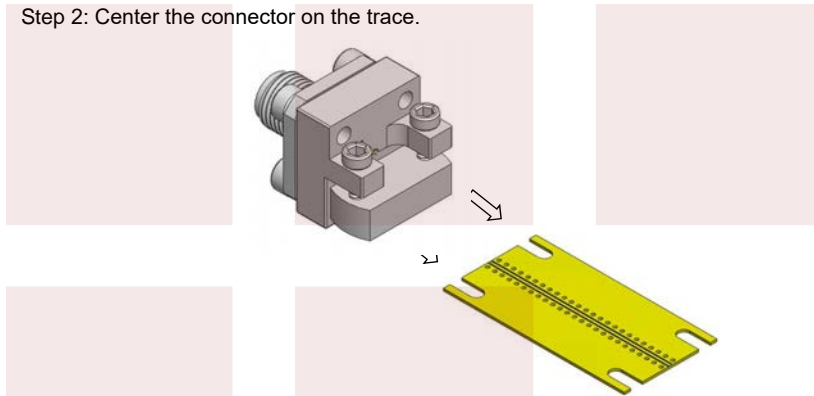
**Plotted and Other Data**

Notes:

**Assembly Instruction**

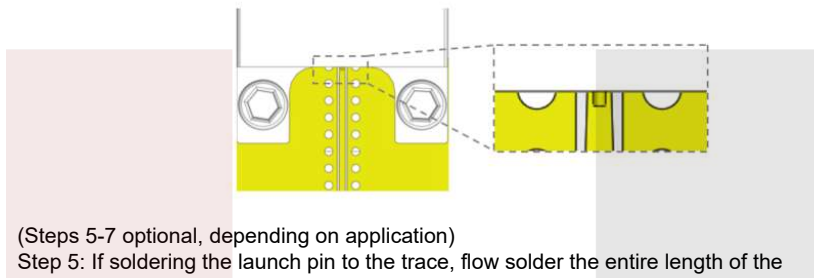
Step 1: Mount the end launch connector in the desired position on the board.

Step 2: Center the connector on the trace.



Step 3: Verify that the transition block is secured on the board.

Step 4: Tighten the M1.6-0.35 mounting screws to the boards suggested torque or until the connectors is secure.

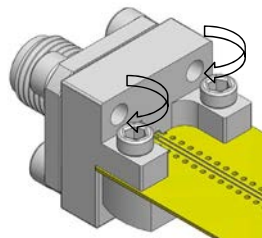


(Steps 5-7 optional, depending on application)

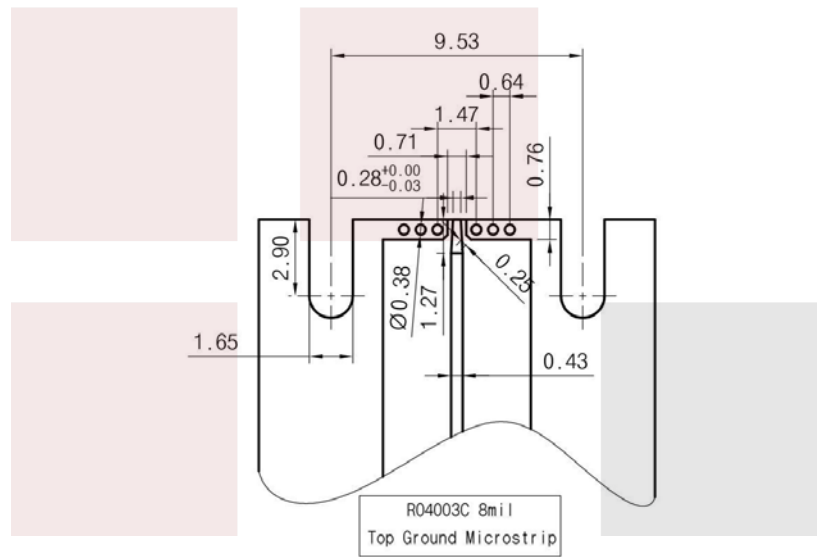
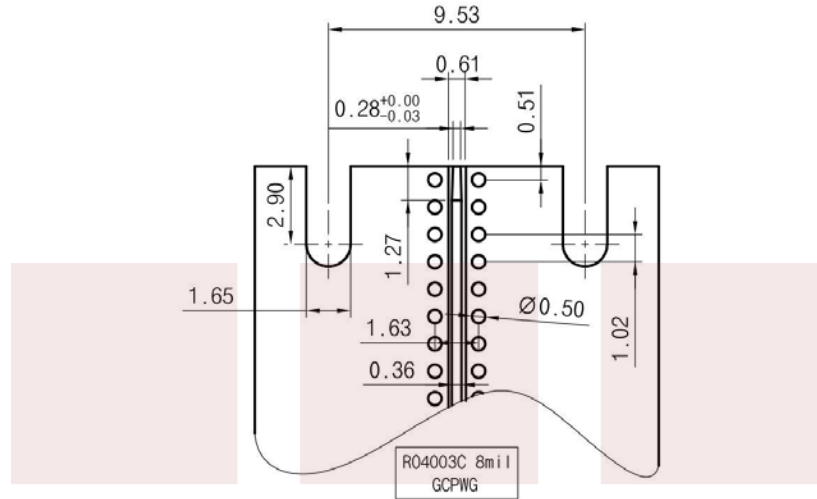
Step 5: If soldering the launch pin to the trace, flow solder the entire length of the contact area.

Step 6: To avoid performance mistakes, remove excess solder.

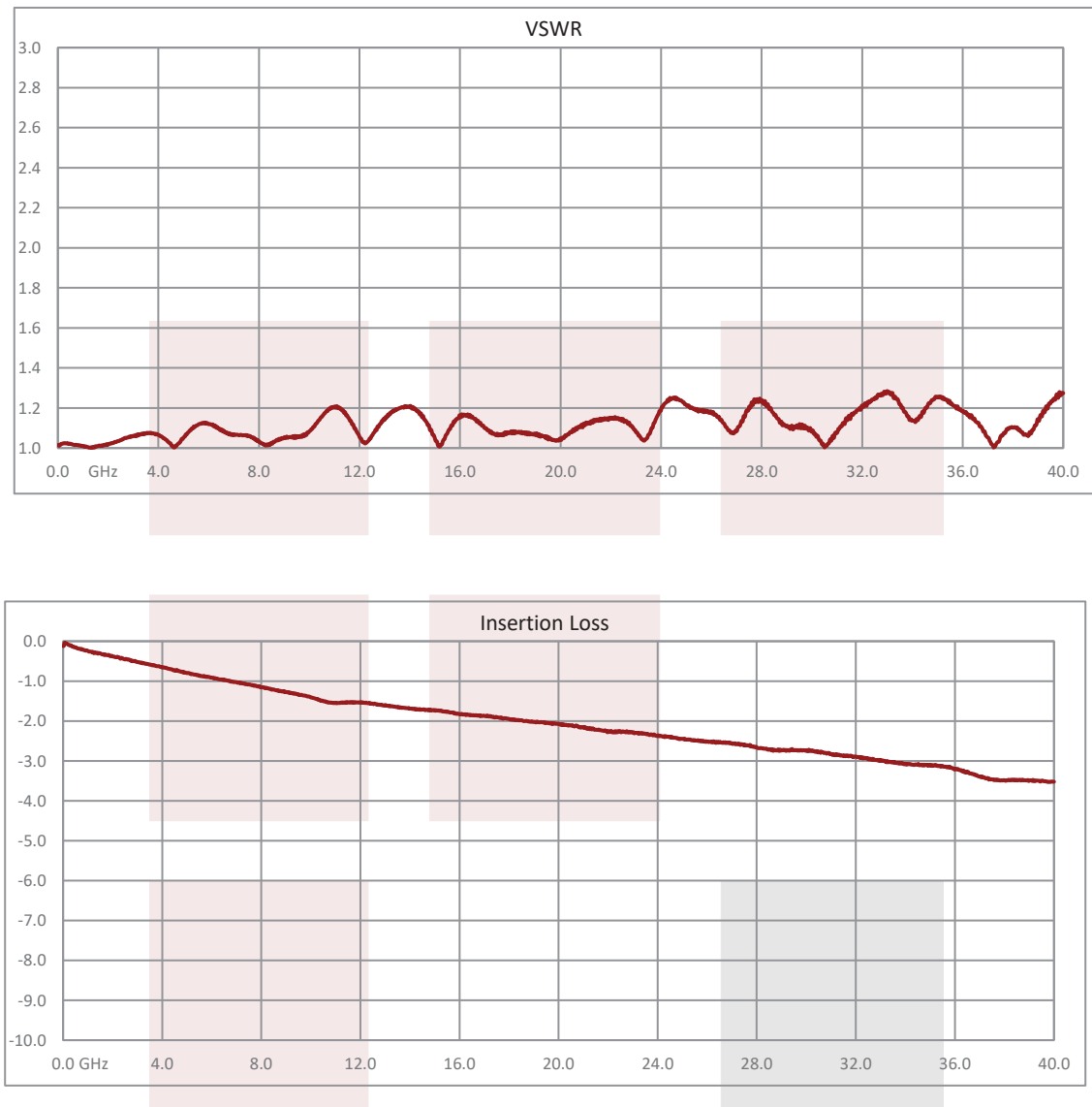
Step 7: Clean any residue from around the solder joint.



Recommended PCB Cutouts



**Typical Performance Data**



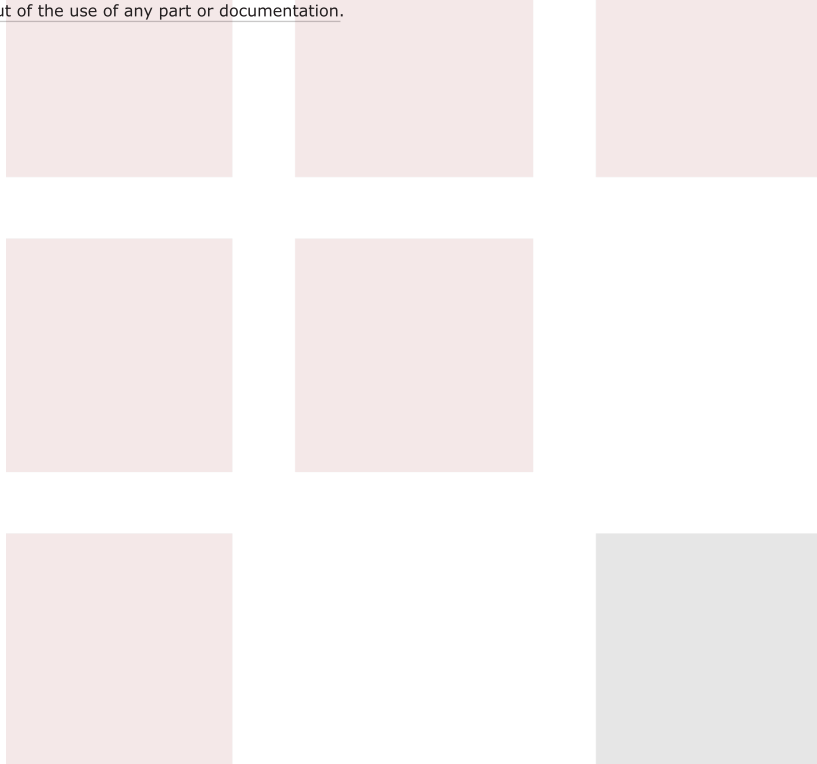
Measurement is for two connectors with 1.0 inch (25.4mm) length of substrate

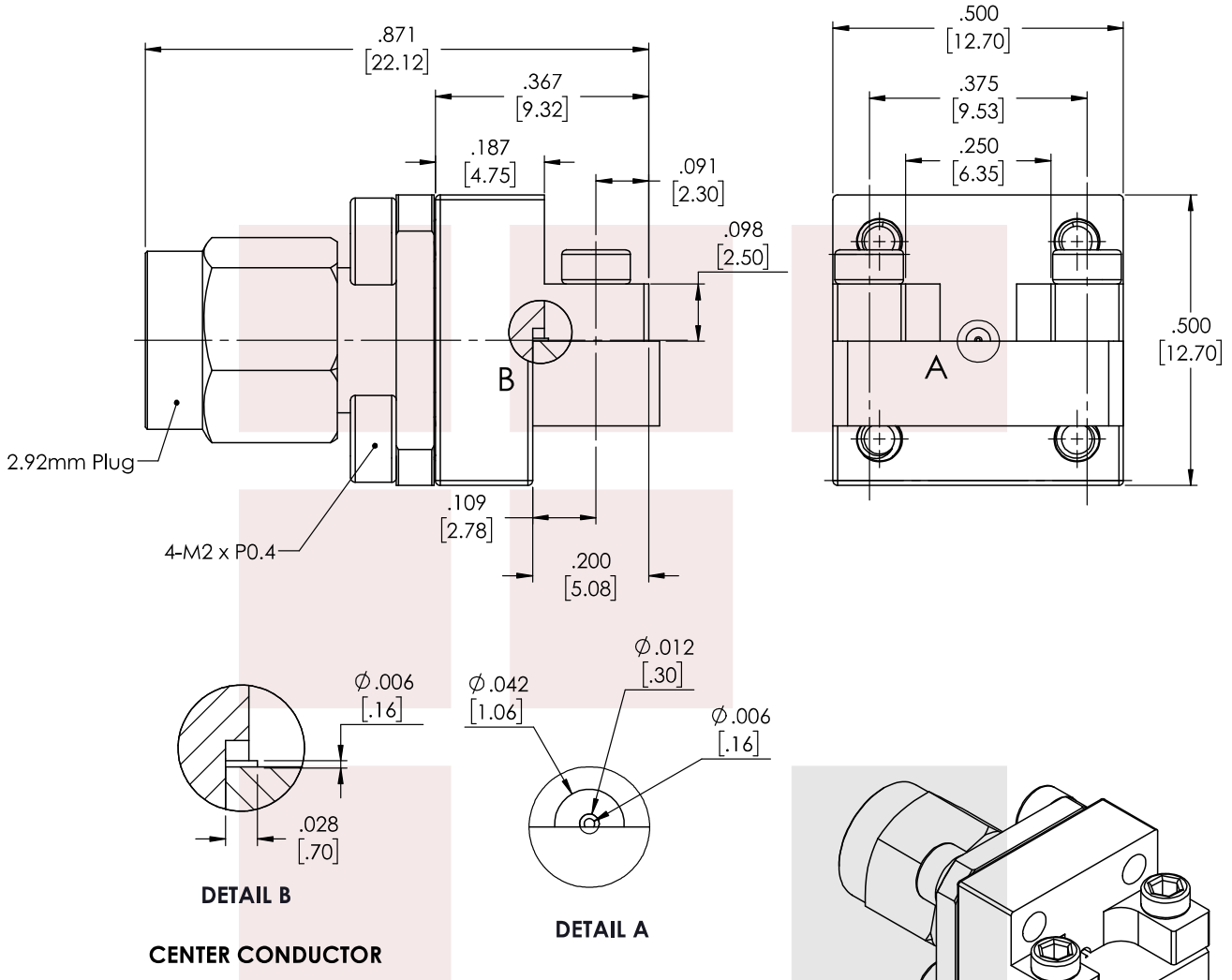
2.92mm Male PCB Connector End Launch Clamp/Solder (Captive Contact) Attachment Removable End Launch, Low Profile from Fairview Microwave is in-stock and available to ship same-day. All of our RF/microwave products are available off-the-shelf from our ISO 9001:2008 certified facilities in Allen, Texas. Fairview Microwave is RF on-demand.

For additional information on this product, please click the following link: [2.92mm Male PCB Connector End Launch Clamp/Solder \(Captive Contact\) Attachment Removable End Launch, Low Profile FMCN1515](#)

URL: <https://www.fairviewmicrowave.com/2.92mm-male-end-launch-pcb-connector-fmcn1515-p.aspx>

The information contained in this document is accurate to the best of our knowledge and representative of the part described herein. It may be necessary to make modifications to the part and/or the documentation of the part, in order to implement improvements. Fairview Microwave reserves the right to make such changes as required. Unless otherwise stated, all specifications are nominal. Fairview Microwave does not make any representation or warranty regarding the suitability of the part described herein for any particular purpose, and Fairview Microwave does not assume any liability arising out of the use of any part or documentation.





STANDARD TOLERANCES	
.X	±0.2
.XX	±0.01
.XXX	±0.005

\*STANDARD TOLERANCES APPLY ONLY TO DIMENSIONS IN INCHES

<b>FAIRVIEW MICROWAVE INC.</b> ALLEN, TX 75013 WWW.FAIRVIEWMICROWAVE.COM		NOTES: 1. UNLESS OTHERWISE SPECIFIED ALL DIMENSIONS ARE NOMINAL. 2. ALL SPECIFICATIONS ARE SUBJECT TO CHANGE WITHOUT NOTICE AT ANY TIME. 3. DIMENSIONS ARE IN INCHES [mm].	
TITLE 2.92mm Male PCB Connector End Launch Clamp/ Solder (Captive Contact) Attachment Removable End Launch, Low Profile	DWG NO FMCN1515	CAGE CODE 3FKR5	
	CAD FILE 09/12/18	SHEET	SCALE N/A SIZE A CN2245