

Mini SMP Female VITA 67 Connector Solder Attachment for PE-P086, PE-P086HF, PE-P086LL, PE-P086FLX Cable

Fairview Microwave's FMCN1536 4-position block housing is part of our full line of VITA 67 Backplane solutions and is available for same-day shipping. Fairview Microwave introduces 4 position (VITA 67.1) and 8 position (VITA 67.2) RF connector housings designed for 3U and 6U formats within the OpenVPX architecture. These blocks are machined from stainless steel for a rugged solution. The blocks are designed to accept both FMCN1535 (0.047" cable contact) & FMCN1536 (.086" cable contact) used in flexible or semi-rigid cables. These blocks are ideal for blind mating daughtercards to motherboards as the RF contacts provide +/- .010" radial misalignment tolerance and have excellent return loss up to 40 GHz.

The SMPM (Mini-SMP) blind mate connector is ideal for applications where direct visual or tactile access to the connection point is not possible, for example, when two circuit boards need to be mated. The block's right angle body geometry allows for easier connections in tight spaces.

Our SMPM (Mini-SMP) right angle block FMCN1536 specifications and drawing with dimensions are shown below in this PDF. Fairview Microwave's broad catalog of RF, microwave and millimeter wave connectors allows designers to configure and customize their signal connections however they like. Whether the need is to provide an I/O for a board design, or simply create a custom cable assembly configuration, Fairview Microwave has the right connector for the job. Fairview Microwave can also expertly build your custom cable assemblies for you and ship same-day.

Electrical Specifications

Description	Min	Typ	Max	Units
Frequency Range	DC		40	GHz
VSWR			1.45:1	
DWV (AC)			325	Vrms
Inner Cond. DC Resistance			6	mOhms
Outer Cond. DC Resistance			5	mOhms
Insulation Resistance	5,000			MOhms

Mechanical Specifications

Size	
Length	0.48 in [12.19 mm]
Width/Dia.	0.196 in [4.98 mm]
Height	0.196 in [4.98 mm]
Weight	1.31 lbs [594.21 g]
Mating Cycles	500 Cycles

Material Specifications

Description	Material	Plating
Contact	Beryllium Copper	Gold ASTM B488
Contact Spring	Passivated Stainless Steel	
Insulation	Teflon	



Configuration:

- Mini SMP Female Connector
- 50 Ohms
- Straight Body Geometry
- PE-P086, PE-P086HF, PE-P086LL, PE-P086FLX Interface Type
- Solder Attachment
- VITA 67 Design

Features:

- Operating Frequency of 40 GHz Max.
- Good VSWR of 1.45:1
- Blind Mate Connector
- Gold Plated Beryllium Copper Contact
- Contact plating according to ASTM B488
- Coaxial interconnects on VPX platforms
- Standard MIL-STD-348 SMPM interface
- Rugged Stainless Steel construction
- Accepts 0.047" and 0.086" cable contacts for end-to-end solution

Applications:

- General Purpose Test
- Custom Cable Assemblies

Fairview Microwave
301 Leora Ln., Suite 100
Lewisville, TX 75056
Tel: 1-800-715-4396 / (972) 649-6678
Fax: (972) 649-6689
www.fairviewmicrowave.com
sales@fairviewmicrowave.com

Outer Conductor	Beryllium Copper	Gold ASTM B488
Body	Beryllium Copper	Gold ASTM B488
Retaining Ring	Beryllium Copper	Nickel SAE-AMS-QQ-N-290

Environmental Specifications

Temperature

Operating Range
Humidity

-65 to +150 deg C

1,000 megohms within 5 minutes after removal from humidity, tested per MIL-STD-202, Method 106

Shock
Vibration

Sawtooth pulse of 100 g 6ms per MIL-STD-202, Method 213, Condition I
MIL-STD-202, Method 214, Test Condition I, Curve D

Thermal Shock

MIL-STD-202, Method 107, Test Condition A

Compliance Certifications (see [product page](#) for current document)

Plotted and Other Data

Notes:

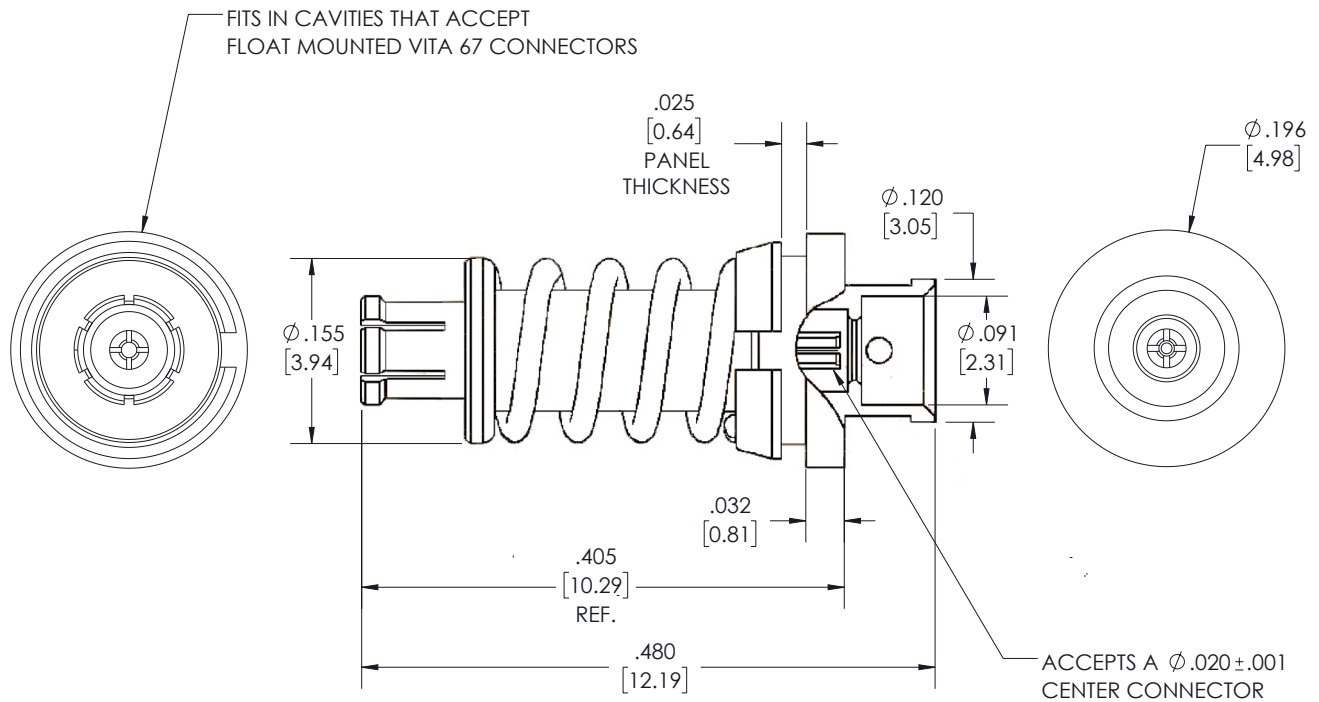
Mini SMP Female VITA 67 Connector Solder Attachment for PE-P086, PE-P086HF, PE-P086LL, PE-P086FLX Cable from Fairview Microwave is in-stock and available to ship same-day. All of our RF/microwave products are available off-the-shelf from our ISO 9001:2008 certified facilities in Lewisville, Texas. Fairview Microwave is RF on-demand.

For additional information on this product, please click the following link: [Mini SMP Female VITA 67 Connector Solder Attachment for PE-P086, PE-P086HF, PE-P086LL, PE-P086FLX Cable FMCN1536](#)

URL: <https://www.fairviewmicrowave.com/mini-smp-female-pe-p086-pe-p086hf-pe-p086ll-pe-p086flx-connector-fmcn1536-p.aspx>

The information contained in this document is accurate to the best of our knowledge and representative of the part described herein. It may be necessary to make modifications to the part and/or the documentation of the part, in order to implement improvements. Fairview Microwave reserves the right to make such changes as required. Unless otherwise stated, all specifications are nominal. Fairview Microwave does not make any representation or warranty regarding the suitability of the part described herein for any particular purpose, and Fairview Microwave does not assume any liability arising out of the use of any part or documentation.

REVISIONS			
REV.	DESCRIPTION	DATE	APPROVED
A	INITIAL RELEASE	09/16/2022	AGANWANI



THESE COMMODITIES, TECHNOLOGY OR SOFTWARE WERE EXPORTED FROM THE UNITED STATES IN ACCORDANCE WITH THE EXPORT ADMINISTRATION REGULATIONS. DIVERSION CONTRARY TO U.S. LAW PROHIBITED.

TITLE

UNLESS OTHERWISE SPECIFIED LEADING DIMENSIONS ARE INCHES
DIMENSIONS IN [] ARE MILLIMETERS

TOLERANCES: CABLE LENGTH (L) TOLERANCES:

.X = ±.2 [5.08]	FRACTIONS ± 1/32	L ≤ 12 [305] = +1 [25] / -0
.XX = ±.02 [.51]	ANGLES ± 1°	12 [305] < L ≤ 60 [1524] = +2 [51] / -0
.XXX = ±.005 [.13]		60 [1524] < L ≤ 120 [3048] = +4 [102] / -0
		120 [3048] < L ≤ 300 [7620] = +6 [152] / -0
		300 [7620] < L = +5%L / -0

THIRD-ANGLE PROJECTION



THE INFORMATION AND DESIGN IN THIS DOCUMENT IS THE PROPERTY OF FAIRVIEW MICROWAVE CORPORATION. ALL RIGHTS RESERVED.

SHEET 1 OF 1

ALL DIMENSIONS SHOWN ARE FOR REFERENCE ONLY.

SCALE N/A

SIZE A	CAGE CODE 3FKR5	DRAWN BY BPUCHASKI	ITEM NO. FMCN1536	REV A
-----------	--------------------	-----------------------	----------------------	----------

T-Rev.D