

BNC Male (Plug) Connector for FM-SR141ALTN-COIL, FM-SR141TB, FM-SR141TBJ Cable, Solder

BNC male connector with solder/solder attachment for FM-SR141ALTN-COIL, FM-SR141TB and FM-SR141TBJ, part number FMCN1542, from Fairview Microwave is in-stock and ships same day. This BNC male connector operates up to a maximum frequency of 4 GHz and offers good VSWR of 1.3:1.

Fairview's BNC male connector FMCN1542 datasheet specifications and outline drawing are shown in this PDF below. Our extensive offering of RF, microwave and millimeter wave connectors allows designers to configure and customize their signal connections however they like. From providing an I/O for a board design to creating a custom cable assembly configuration, Fairview Microwave has a connector solution to meet your needs. Fairview Microwave also has the expertise to build your custom cable assemblies for you and ship them same-day.

Electrical Specifications

Description	Min	Typ	Max	Units
Frequency Range	DC		4	GHz
VSWR			1.3:1	
Operating Voltage (AC)			500	Vrms
DWV (AC)			1,500	Vrms

Mechanical Specifications

Size	
Length	0.76 in [19.3 mm]
Width/Dia.	0.571 in [14.5 mm]
Weight	0.028 lbs [12.7 g]

Material Specifications

Description	Material	Plating
Contact	Brass	Gold 30 µin minimum
Insulation	PTFE	
Body	Brass	Gold 3 µin minimum
Coupling Nut	Brass	Nickel 100 µin minimum

Environmental Specifications

Temperature

Operating Range -65 to +165 deg C

Compliance Certifications (see [product page](#) for current document)

Plotted and Other Data

Notes:



Configuration:

- BNC Male Connector
- MIL-STD-348A
- 50 Ohms
- Straight Body Geometry
- FM-SR141ALTN-COIL, FM-SR141TB, FM-SR141TBJ Interface Type
- Solder/Solder Attachment

Features:

- Operating Frequency of 4 GHz Max.
- Good VSWR of 1.3:1
- Gold Plated Brass Contact
- 30 µin minimum contact plating

Applications:

- General Purpose Test
- Custom Cable Assemblies

Fairview Microwave
301 Leora Ln., Suite 100
Lewisville, TX 75056
Tel: 1-800-715-4396 / (972) 649-6678
Fax: (972) 649-6689
www.fairviewmicrowave.com
sales@fairviewmicrowave.com

BNC Male (Plug) Connector for FM-SR141ALTN-COIL, FM-SR141TB, FM-SR141TBJ Cable, Solder from Fairview Microwave is in-stock and available to ship same-day. All of our RF/microwave products are available off-the-shelf from our ISO 9001:2008 certified facilities in Lewisville, Texas. Fairview Microwave is RF on-demand.

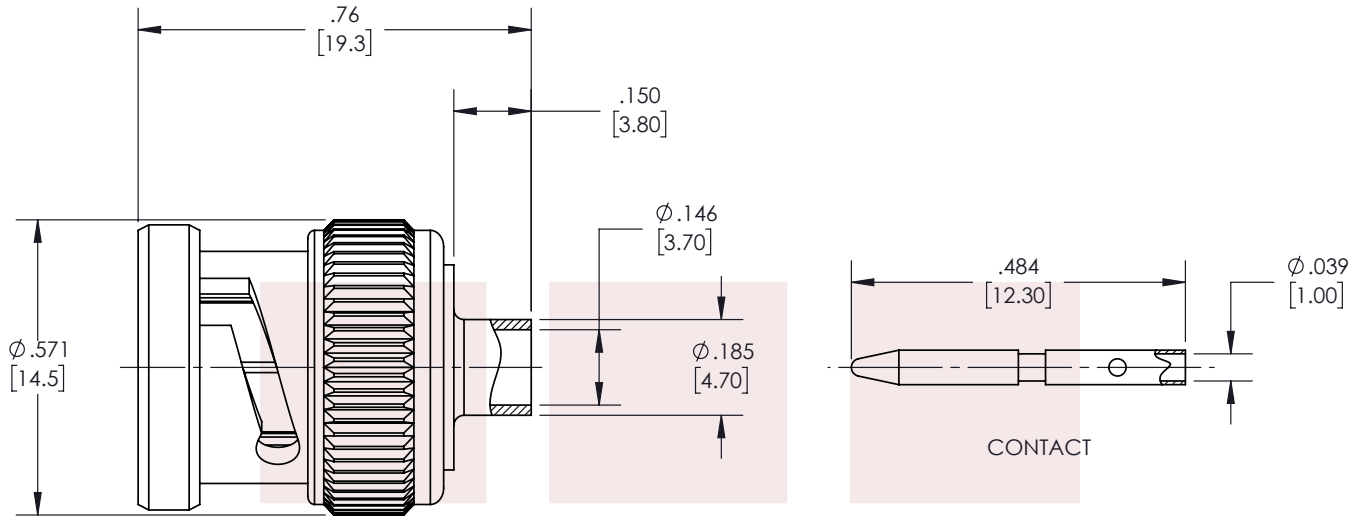
For additional information on this product, please click the following link: [BNC Male \(Plug\) Connector for FM-SR141ALTN-COIL, FM-SR141TB, FM-SR141TBJ Cable, Solder FMCN1542](#)

URL: <https://www.fairviewmicrowave.com/bnc-male-fm-sr141altn-coil-fm-sr141tb-fm-sr141tbj-fm-sr141tn-connector-fmcn1542-p.aspx>

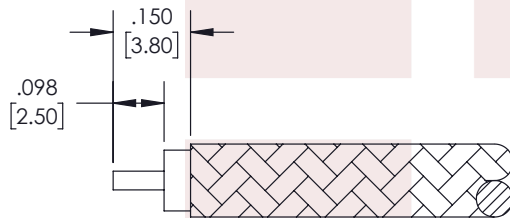
The information contained in this document is accurate to the best of our knowledge and representative of the part described herein. It may be necessary to make modifications to the part and/or the documentation of the part, in order to implement improvements. Fairview Microwave reserves the right to make such changes as required. Unless otherwise stated, all specifications are nominal. Fairview Microwave does not make any representation or warranty regarding the suitability of the part described herein for any particular purpose, and Fairview Microwave does not assume any liability arising out of the use of any part or documentation.



REVISIONS			
REV.	DESCRIPTION	DATE	APPROVED
B	PCR PE4650 20220712	07/27/2022	AGANWANI



BNC MALE



STRIPPING DIMENSIONS

ASSEMBLY PROCEDURE

1. STRIP CABLE AS SHOWN. DO NOT NICK CENTER CONDUCTOR.
2. SOLDER CONTACT TO CENTER CONDUCTOR. INSERT CABLE INTO BODY UNTIL CONTACT SETS IN PLACE. SOLDER OUTER CONDUCTOR TO BODY.

THESE COMMODITIES, TECHNOLOGY OR SOFTWARE WERE EXPORTED FROM THE UNITED STATES IN ACCORDANCE WITH THE EXPORT ADMINISTRATION REGULATIONS. DIVERSION CONTRARY TO U.S. LAW PROHIBITED.

TITLE

BNC Male (Plug) Connector for FM-SR141ALTN-COIL, FM-SR141TB, FM-SR141TBJ Cable, Solder

UNLESS OTHERWISE SPECIFIED LEADING DIMENSIONS ARE INCHES
DIMENSIONS IN [] ARE MILLIMETERS

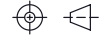
TOLERANCES:

.X = ±.2 [5.08] FRACTIONS ± 1/32
.XX = ±.02 [.51] ANGLES ± 1°
.XXX = ±.005 [.13]

CABLE LENGTH (L) TOLERANCES:

L ≤ 12 [305] = +1 [25] / -0
12 [305] < L ≤ 60 [1524] = +2 [51] / -0
60 [1524] < L ≤ 120 [3048] = +4 [102] / -0
120 [3048] < L ≤ 300 [7620] = +6 [152] / -0
300 [7620] < L = +5%L / -0

THIRD-ANGLE PROJECTION



THE INFORMATION AND DESIGN IN THIS DOCUMENT IS THE PROPERTY OF FAIRVIEW MICROWAVE CORPORATION. ALL RIGHTS RESERVED.

SHEET 1 OF 1

ALL DIMENSIONS SHOWN ARE FOR REFERENCE ONLY.

SCALE

N/A

SIZE A	CAGE CODE 3FKR5	DRAWN BY AKRESOWSK	ITEM NO. FMCN1542	REV B
-----------	--------------------	-----------------------	----------------------	----------

T-Rev.D