

SMC Jack Bulkhead Connector Crimp/Solder Attachment for RG174, RG316, RG188, LMR-100, .100 inch Cable , .177 inch D Hole

SMC jack bulkhead connector with crimp/solder attachment for RG174, RG316, RG188, LMR-100 and .100 inch (.177 inch D hole), part number FMCN1547, from Fairview Microwave is in-stock and ships same day. This SMC jack connector operates up to a maximum frequency of 6 GHz and offers good VSWR of 1.35:1. Fairview's FMCN1547 bulkhead SMC connector enables designers to make external connections on product enclosures, and can be used in a variety of other rack mount and panel mount applications.

Fairview's SMC jack bulkhead connector FMCN1547 datasheet specifications and outline drawing are shown in this PDF below. Our extensive offering of RF, microwave and millimeter wave connectors allows designers to configure and customize their signal connections however they like. From providing an I/O for a board design to creating a custom cable assembly configuration, Fairview Microwave has a connector solution to meet your needs. Fairview Microwave also has the expertise to build your custom cable assemblies for you and ship them same-day.



Configuration:

- SMC Jack Connector
- MIL-STD-348A
- 50 Ohms
- Straight Body Geometry
- RG174, RG316, RG188, LMR-100, .100 inch Interface Type
- Crimp/Solder Attachment
- Bulkhead

Electrical Specifications

Description	Min	Typ	Max	Units
Frequency Range	DC		6	GHz
VSWR			1.35:1	
Operating Voltage (AC)			335	Vrms

Mechanical Specifications

Size	
Length	0.86 in [21.84 mm]
Width/Dia.	0.25 in [6.35 mm]

Material Specifications

Description	Material	Plating
Contact	Brass	Gold 30 µin minimum
Insulation	PTFE	
Body	Brass	Nickel 100 µin minimum

Environmental Specifications

Temperature	
Operating Range	-65 to +165 deg C

Compliance Certifications (see [product page](#) for current document)

Plotted and Other Data

Notes:

Features:

- Operating Frequency of 6 GHz Max.
- Good VSWR of 1.35:1
- Gold Plated Brass Contact
- 30 µin minimum contact plating

Applications:

- General Purpose Test
- Rack and Panel Mount Applications
- Custom Cable Assemblies

Fairview Microwave
301 Leora Ln., Suite 100
Lewisville, TX 75056
Tel: 1-800-715-4396 / (972) 649-6678
Fax: (972) 649-6689
www.fairviewmicrowave.com
sales@fairviewmicrowave.com

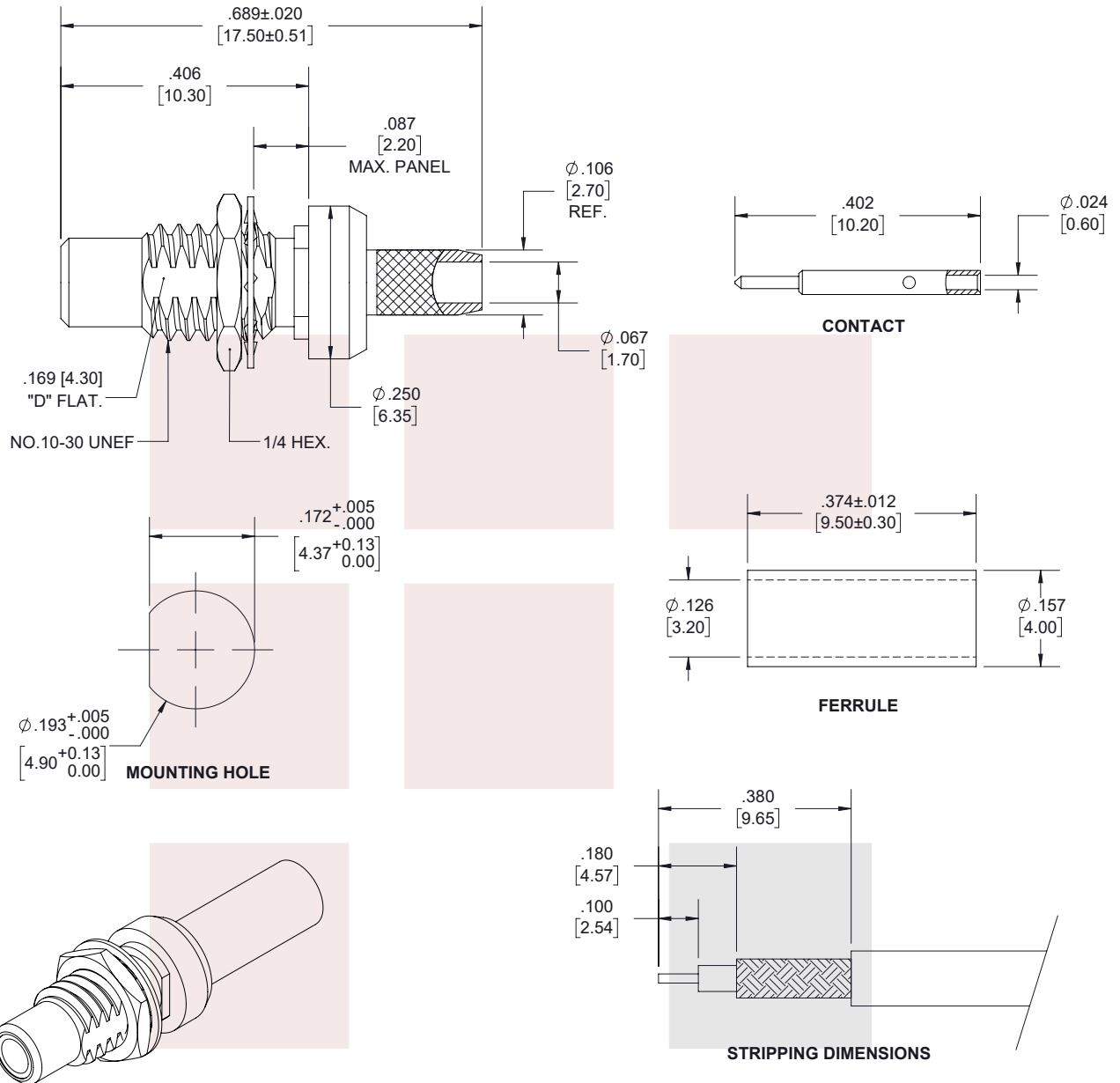
SMC Jack Bulkhead Connector Crimp/Solder Attachment for RG174, RG316, RG188, LMR-100, .100 inch Cable , .177 inch D Hole from Fairview Microwave is in-stock and available to ship same-day. All of our RF/microwave products are available off-the-shelf from our ISO 9001:2008 certified facilities in Allen, Texas. Fairview Microwave is RF on-demand.

For additional information on this product, please click the following link: [SMC Jack Bulkhead Connector Crimp/Solder Attachment for RG174, RG316, RG188, LMR-100, .100 inch Cable , .177 inch D Hole FMCN1547](#)

URL: <https://www.fairviewmicrowave.com/smc-jack-rg174-rg316-rg188-lmr-100-.100-connector-fmcn1547-p.aspx>

The information contained in this document is accurate to the best of our knowledge and representative of the part described herein. It may be necessary to make modifications to the part and/or the documentation of the part, in order to implement improvements. Fairview Microwave reserves the right to make such changes as required. Unless otherwise stated, all specifications are nominal. Fairview Microwave does not make any representation or warranty regarding the suitability of the part described herein for any particular purpose, and Fairview Microwave does not assume any liability arising out of the use of any part or documentation.





STANDARD TOLERANCES

.X	±0.2
.XX	±0.01
.XXX	±0.005

*STANDARD TOLERANCES APPLY ONLY TO DIMENSIONS IN INCHES

NOTES:

- CABLE ATTACHMENT:
 - OUTER: CRIMP.
 - INNER: SOLDER/CRIMP.
- CRIMP SIZE REQUIRED:
 - FERRULE: .128 [3.25] HEX. CRIMP TOOL.
 - CONTACT: .026 [0.67] SQ. CRIMP TOOL.

		NOTES: 1. UNLESS OTHERWISE SPECIFIED ALL DIMENSIONS ARE NOMINAL. 2. ALL SPECIFICATIONS ARE SUBJECT TO CHANGE WITHOUT NOTICE AT ANY TIME. 3. DIMENSIONS ARE IN INCHES [mm].	
TITLE SMC Jack Bulkhead Connector Crimp/Solder Attachment for RG174, RG316, RG188, LMR-100, .100 inch Cable, .177 inch D Hole		DWG NO FMCN1547	CAGE CODE 3FKR5
CAD FILE 06/07/19	SHEET 1 OF 1	SCALE N/A	SIZE A 7361