

## SMC Jack Bulkhead Connector Solder Cup Terminal Solder Attachment , .177 inch D Hole Front Mount

SMC jack bulkhead connector with solder cup terminal (.177 inch D hole), part number FMCN1551, from Fairview Microwave is in-stock and ships same day. This SMC jack connector operates up to a maximum frequency of 10 GHz and offers good VSWR of 1.5:1. Fairview's FMCN1551 bulkhead SMC connector enables designers to make external connections on product enclosures, and can be used in a variety of other rack mount and panel mount applications.

Fairview's SMC jack bulkhead connector FMCN1551 datasheet specifications and outline drawing are shown in this PDF below. Our extensive offering of RF, microwave and millimeter wave connectors allows designers to configure and customize their signal connections however they like. From providing an I/O for a board design to creating a custom cable assembly configuration, Fairview Microwave has a connector solution to meet your needs. Fairview Microwave also has the expertise to build your custom cable assemblies for you and ship them same-day.

### Electrical Specifications

Description	Min	Typ	Max	Units
Frequency Range	DC		10	GHz
VSWR			1.5:1	
Operating Voltage (AC)			335	Vrms

### Performance by Frequency

Description	F1	F2	F3	F4	F5	Units
Freq. Range	DC to 6	6 to 10				GHz
VSWR, Max	1.3:1	1.5:1				

### Mechanical Specifications

<b>Size</b>	
Length	0.606 in [15.39 mm]
Width/Dia.	0.25 in [6.35 mm]

### Material Specifications

Description	Material	Plating
Contact	Brass	Gold 30 µin minimum
Insulation	PTFE	
Outer Conductor	Brass	Gold 30 µin minimum
Body	Brass	Gold 30 µin minimum



### Configuration:

- SMC Jack Connector
- MIL-STD-348A
- 50 Ohms
- Straight Body Geometry
- Solder Cup Interface Type
- Solder Attachment
- Bulkhead

### Features:

- Operating Frequency of 10 GHz Max.
- Good VSWR of 1.5:1
- Gold Plated Brass Contact
- 30 µin minimum contact plating

### Applications:

- General Purpose Test
- Rack and Panel Mount Applications

Fairview Microwave  
301 Leora Ln., Suite 100  
Lewisville, TX 75056  
Tel: 1-800-715-4396 / (972) 649-6678  
Fax: (972) 649-6689  
[www.fairviewmicrowave.com](http://www.fairviewmicrowave.com)  
[sales@fairviewmicrowave.com](mailto:sales@fairviewmicrowave.com)

## Environmental Specifications

### Temperature

Operating Range -65 to +165 deg C

**Compliance Certifications** (see [product page](#) for current document)

## Plotted and Other Data

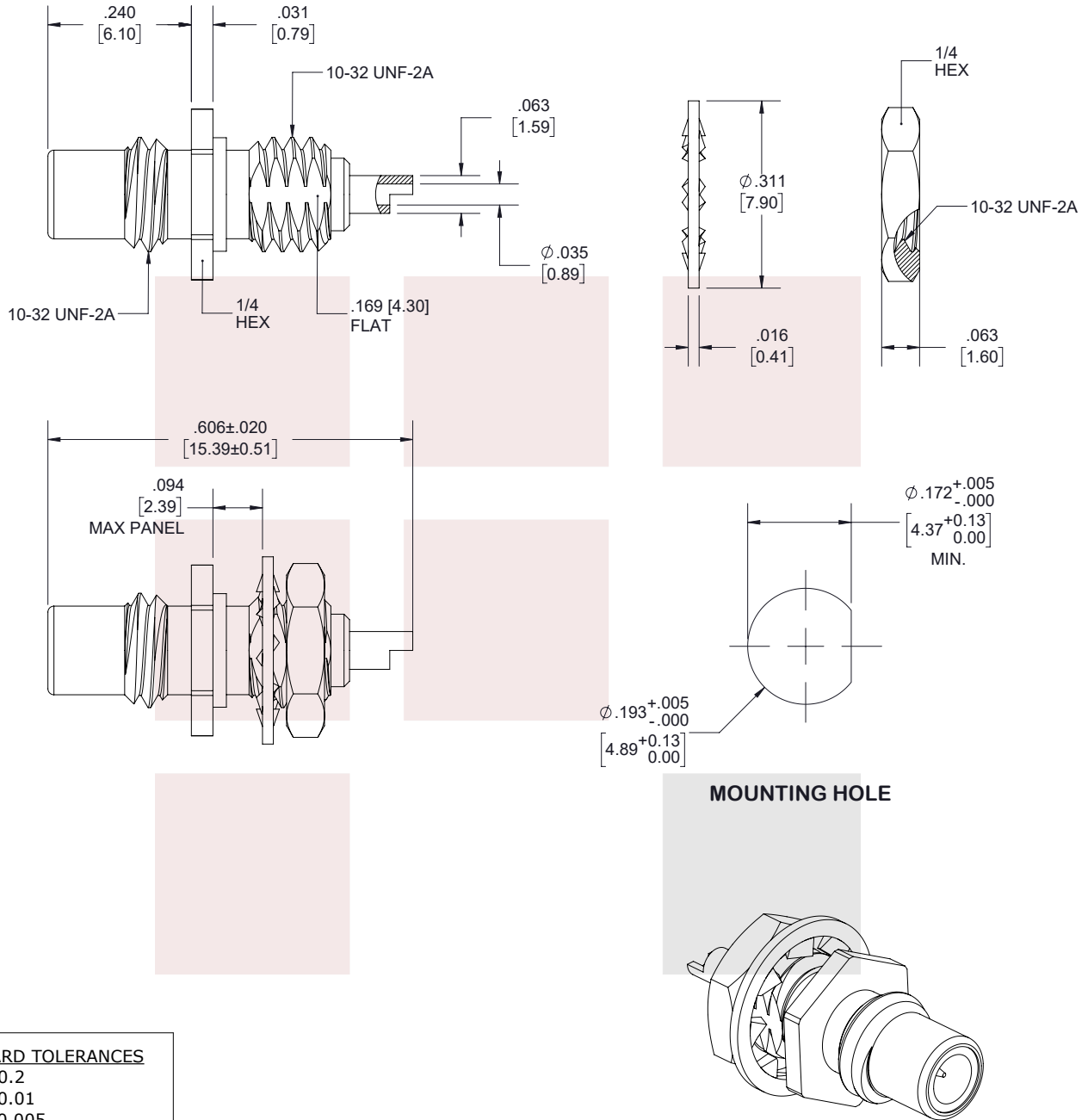
Notes:

SMC Jack Bulkhead Connector Solder Cup Terminal Solder Attachment , .177 inch D Hole Front Mount from Fairview Microwave is in-stock and available to ship same-day. All of our RF/microwave products are available off-the-shelf from our ISO 9001:2008 certified facilities in Allen, Texas. Fairview Microwave is RF on-demand.

For additional information on this product, please click the following link: [SMC Jack Bulkhead Connector Solder Cup Terminal Solder Attachment , .177 inch D Hole Front Mount FMCN1551](#)

URL: <https://www.fairviewmicrowave.com/smc-jack-solder-cup-terminal-connector-fmcn1551-p.aspx>

The information contained in this document is accurate to the best of our knowledge and representative of the part described herein. It may be necessary to make modifications to the part and/or the documentation of the part, in order to implement improvements. Fairview Microwave reserves the right to make such changes as required. Unless otherwise stated, all specifications are nominal. Fairview Microwave does not make any representation or warranty regarding the suitability of the part described herein for any particular purpose, and Fairview Microwave does not assume any liability arising out of the use of any part or documentation.



STANDARD TOLERANCES	
.X	±0.2
.XX	±0.01
.XXX	±0.005

\*STANDARD TOLERANCES APPLY ONLY TO DIMENSIONS IN INCHES

<p><b>Fairview Microwave</b> an INFINIT<sup>®</sup> brand</p>		<p>NOTES: 1. UNLESS OTHERWISE SPECIFIED ALL DIMENSIONS ARE NOMINAL. 2. ALL SPECIFICATIONS ARE SUBJECT TO CHANGE WITHOUT NOTICE AT ANY TIME. 3. DIMENSIONS ARE IN INCHES [mm].</p>					
<p>TITLE SMC Jack Bulkhead Connector Solder Cup Terminal Solder Attachment , .177 inch D Hole Front Mount</p>		<p>DWG NO <b>FMCN1551</b></p>		<p>CAGE CODE <b>3FKR5</b></p>			
CAD FILE	06/07/19	SHEET	1 OF 1	SCALE	N/A	SIZE A	7361