

SMC Plug Connector Clamp/Solder Attachment for RG174, RG316, RG188, LMR-100, .100 inch Cable

SMC plug connector with clamp/solder attachment for RG174, RG316, RG188, LMR-100 and .100 inch, part number FMCN1557, from Fairview Microwave is in-stock and ships same day.

Fairview's SMC plug connector FMCN1557 datasheet specifications and outline drawing are shown in this PDF below. Our extensive offering of RF, microwave and millimeter wave connectors allows designers to configure and customize their signal connections however they like. From providing an I/O for a board design to creating a custom cable assembly configuration, Fairview Microwave has a connector solution to meet your needs. Fairview Microwave also has the expertise to build your custom cable assemblies for you and ship them same-day.

Mechanical Specifications

Size

Length 0.413 in [10.49 mm]
Width/Dia. 0.25 in [6.35 mm]

Material Specifications

Description	Material	Plating
Contact	Beryllium Copper	Gold 30 µin minimum
Insulation	PTFE	
Body	Brass	Nickel 100 µin minimum
Coupling Nut	Brass	Nickel 100 µin minimum

Environmental Specifications

Compliance Certifications (see [product page](#) for current document)

Plotted and Other Data

Notes:



Configuration:

- SMC Plug Connector
- MIL-STD-348A
- 50 Ohms
- Straight Body Geometry
- RG174, RG316, RG188, LMR-100, .100 inch Interface Type
- Clamp/Solder Attachment

Features:

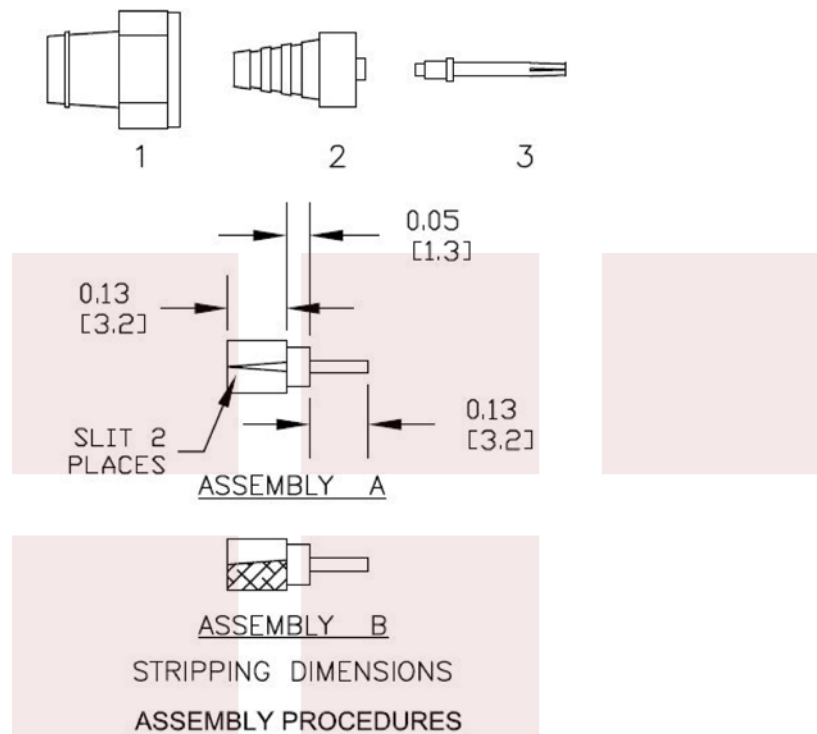
- Gold Plated Beryllium Copper Contact
- 30 µin minimum contact plating

Applications:

- General Purpose Test
- Custom Cable Assemblies

Fairview Microwave
301 Leora Ln., Suite 100
Lewisville, TX 75056
Tel: 1-800-715-4396 / (972) 649-6678
Fax: (972) 649-6689
www.fairviewmicrowave.com
sales@fairviewmicrowave.com

Assembly Instruction



1. SLIDE CLAMP NUT (1) OVER CABLE. STRIP CABLE AS SHOWN IN ASSEMBLY A. TIN CENTER CONDUCTOR. SLIT JACKET IN 2 PLACES & REMOVE ONE SIDE OF JACKET TO END OF SLIT AS SHOWN IN ASSEMBLY B. DO NOT NICK BRAID WHEN CUTTING ONE SIDE OF JACKET.
2. INSERT WEDGE ASSEMBLY (2) BETWEEN BRAID & DIELECTRIC. CENTER CONDUCTOR MUST ENTER HOLE IN INSULATOR.
3. INSERT CONTACT (3) IN INSULATOR & SOLDER CONTACT TO CENTER CONDUCTOR. INSERT CABLE ASSEMBLY INTO BODY & TIGHTEN.

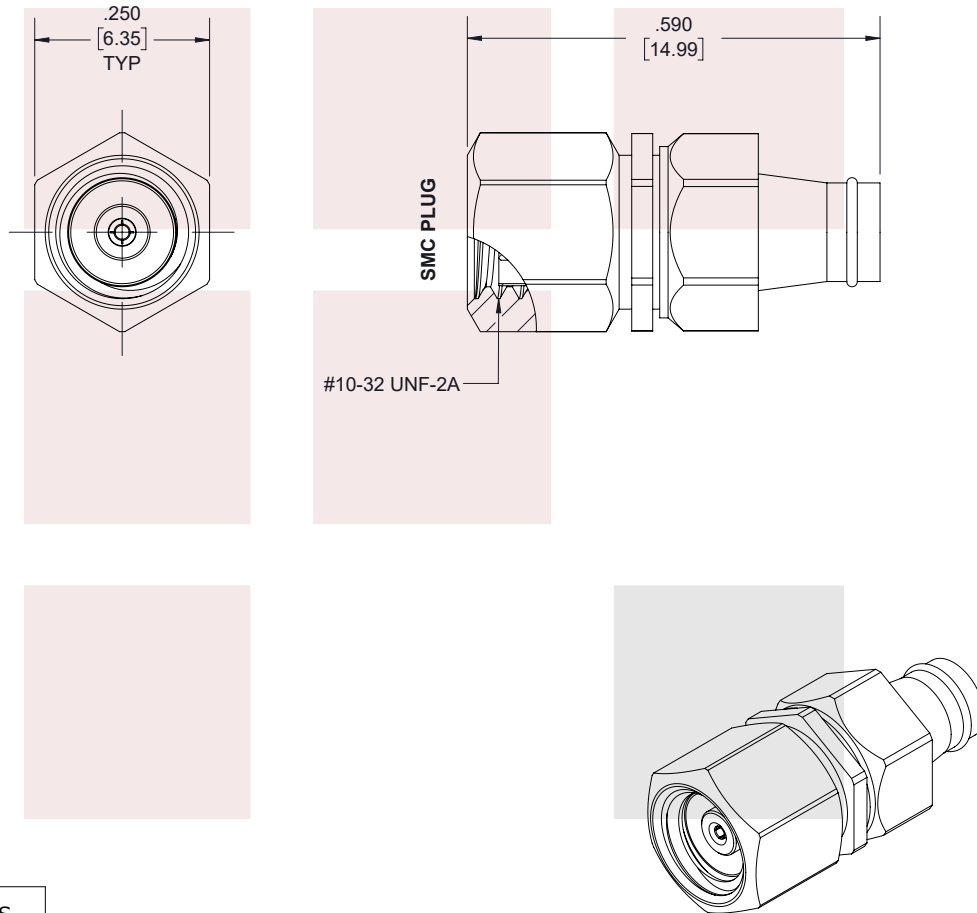
SMC Plug Connector Clamp/Solder Attachment for RG174, RG316, RG188, LMR-100, .100 inch Cable from Fairview Microwave is in-stock and available to ship same-day. All of our RF/microwave products are available off-the-shelf from our ISO 9001:2008 certified facilities in Allen, Texas. Fairview Microwave is RF on-demand.

For additional information on this product, please click the following link: [SMC Plug Connector Clamp/Solder Attachment for RG174, RG316, RG188, LMR-100, .100 inch Cable FMCN1557](#)

URL: <https://www.fairviewmicrowave.com/smc-plug-rg174-rg316-rg188-lmr-100-.100-connector-fmcn1557-p.aspx>

The information contained in this document is accurate to the best of our knowledge and representative of the part described herein. It may be necessary to make modifications to the part and/or the documentation of the part, in order to implement improvements. Fairview Microwave reserves the right to make such changes as required. Unless otherwise stated, all specifications are nominal. Fairview Microwave does not make any representation or warranty regarding the suitability of the part described herein for any particular purpose, and Fairview Microwave does not assume any liability arising out of the use of any part or documentation.





STANDARD TOLERANCES

.X ±0.2
.XX ±0.01
.XXX ±0.005

*STANDARD TOLERANCES APPLY ONLY TO DIMENSIONS IN INCHES

NOTES:
1. UNLESS OTHERWISE SPECIFIED ALL DIMENSIONS ARE NOMINAL.
2. ALL SPECIFICATIONS ARE SUBJECT TO CHANGE WITHOUT NOTICE AT ANY TIME.
3. DIMENSIONS ARE IN INCHES [mm].

TITLE SMC Plug Connector Clamp/Solder Attachment for RG174, RG316, RG188, LMR-100, .100 inch Cable	DWG NO FMCN1557		CAGE CODE 3FKR5			
	CAD FILE 06/12/19	SHEET 1 OF 2	SCALE N/A	SIZE A	7361	