

SMC Jack Connector Solder Cup Terminal Solder Attachment 4 Hole Flange , .232 inch Hole Spacing

SMC jack 4 hole flange mount connector with solder cup terminal (.232 inch hole spacing), part number FMCN1562, from Fairview Microwave is in-stock and ships same day. Fairview's FMCN1562 4 hole flange SMC connector enables designers to make external connections on product enclosures, and can be used in a variety of other rack mount and panel mount applications.

Fairview's SMC jack 4 hole flange connector FMCN1562 datasheet specifications and outline drawing are shown in this PDF below. Our extensive offering of RF, microwave and millimeter wave connectors allows designers to configure and customize their signal connections however they like. From providing an I/O for a board design to creating a custom cable assembly configuration, Fairview Microwave has a connector solution to meet your needs. Fairview Microwave also has the expertise to build your custom cable assemblies for you and ship them same-day.

Mechanical Specifications

Size	
Length	0.575 in [14.61 mm]
Width/Dia.	0.375 in [9.53 mm]
Height	0.375 in [9.53 mm]

Material Specifications

Description	Material	Plating
Contact		Gold
Insulation	PTFE	
Body	Brass	Gold

Environmental Specifications

Compliance Certifications (see [product page](#) for current document)

Plotted and Other Data

Notes:



Configuration:

- SMC Jack Connector
- 50 Ohms
- Straight Body Geometry
- Solder Cup Interface Type
- Solder Attachment
- 4 Hole Flange

Features:

- Gold Plated Contact

Applications:

- General Purpose Test
- Rack and Panel Mount Applications

Fairview Microwave
 301 Leora Ln., Suite 100
 Lewisville, TX 75056
 Tel: 1-800-715-4396 / (972) 649-6678
 Fax: (972) 649-6689
www.fairviewmicrowave.com
sales@fairviewmicrowave.com

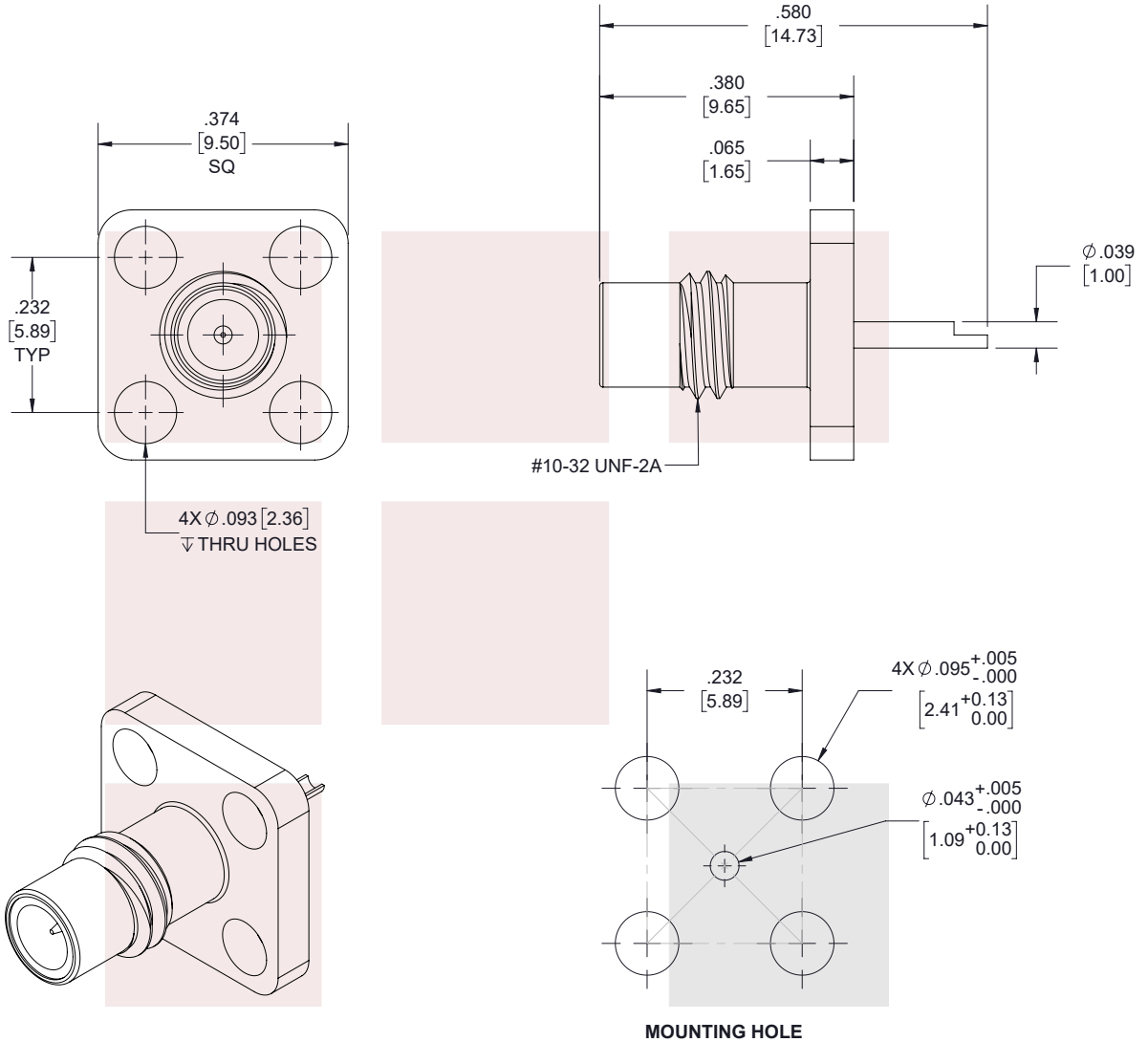
SMC Jack Connector Solder Cup Terminal Solder Attachment 4 Hole Flange , .232 inch Hole Spacing from Fairview Microwave is in-stock and available to ship same-day. All of our RF/microwave products are available off-the-shelf from our ISO 9001:2008 certified facilities in Allen, Texas. Fairview Microwave is RF on-demand.

For additional information on this product, please click the following link: [SMC Jack Connector Solder Cup Terminal Solder Attachment 4 Hole Flange , .232 inch Hole Spacing FMCN1562](#)

URL: <https://www.fairviewmicrowave.com/smc-jack-solder-cup-terminal-connector-fmcn1562-p.aspx>

The information contained in this document is accurate to the best of our knowledge and representative of the part described herein. It may be necessary to make modifications to the part and/or the documentation of the part, in order to implement improvements. Fairview Microwave reserves the right to make such changes as required. Unless otherwise stated, all specifications are nominal. Fairview Microwave does not make any representation or warranty regarding the suitability of the part described herein for any particular purpose, and Fairview Microwave does not assume any liability arising out of the use of any part or documentation.





STANDARD TOLERANCES	
.X	±0.2
.XX	±0.01
.XXX	±0.005

*STANDARD TOLERANCES APPLY ONLY TO DIMENSIONS IN INCHES

<p>Fairview Microwave an INFINIT[®] brand</p>		<p>NOTES: 1. UNLESS OTHERWISE SPECIFIED ALL DIMENSIONS ARE NOMINAL. 2. ALL SPECIFICATIONS ARE SUBJECT TO CHANGE WITHOUT NOTICE AT ANY TIME. 3. DIMENSIONS ARE IN INCHES [mm].</p>						
<p>TITLE SMC Jack Connector Solder Cup Terminal Solder Attachment 4 Hole Flange , .232 inch Hole Spacing</p>		<p>DWG NO FMCN1562</p>		<p>CAGE CODE 3FKR5</p>				
CAD FILE	06/12/19	SHEET	1 OF 1	SCALE	N/A	SIZE	A	7361