

## SMA Female Connector Solder Cup Terminal Solder Attachment 4 Hole Flange , .340 inch Hole Spacing

SMA female 4 hole flange mount connector with solder cup terminal (.340 inch hole spacing), part number FMCN1685, from Fairview Microwave is in-stock and ships same day. This SMA female connector operates up to a maximum frequency of 18 GHz and offers excellent VSWR of 1.25:1. Fairview's FMCN1685 4 hole flange SMA connector enables designers to make external connections on product enclosures, and can be used in a variety of other rack mount and panel mount applications.

Fairview's SMA female 4 hole flange connector FMCN1685 datasheet specifications and outline drawing are shown in this PDF below. Our extensive offering of RF, microwave and millimeter wave connectors allows designers to configure and customize their signal connections however they like. From providing an I/O for a board design to creating a custom cable assembly configuration, Fairview Microwave has a connector solution to meet your needs. Fairview Microwave also has the expertise to build your custom cable assemblies for you and ship them same-day.



### Configuration:

- SMA Female Connector
- MIL-STD-348
- 50 Ohms
- Straight Body Geometry
- Solder Cup Interface Type
- Solder Attachment
- 4 Hole Flange

### Features:

- Operating Frequency of 18 GHz Max.
- Excellent VSWR of 1.25:1
- Gold over Copper Plated Beryllium Copper Contact
- Contact plating according to MIL-G-45204

### Applications:

- General Purpose Test
- Rack and Panel Mount Applications

### Electrical Specifications

Description	Min	Typ	Max	Units
Frequency Range	DC		18	GHz
VSWR			1.25:1	

### Mechanical Specifications

Size	
Length	0.575 in [14.61 mm]
Width/Dia.	0.5 in [12.70 mm]
Height	0.5 in [12.7 mm]
Weight	0.007 lbs [3.18 g]

### Material Specifications

Description	Material	Plating
Contact	Beryllium Copper	Gold over Copper MIL-G-45204
Insulation	PTFE	
Body	Stainless Steel	Gold over Nickel MIL-G-45204

**Compliance Certifications** (see [product page](#) for current document)

### Plotted and Other Data

Notes:

Fairview Microwave  
301 Leora Ln., Suite 100  
Lewisville, TX 75056  
Tel: 1-800-715-4396 / (972) 649-6678  
Fax: (972) 649-6689  
[www.fairviewmicrowave.com](http://www.fairviewmicrowave.com)  
[sales@fairviewmicrowave.com](mailto:sales@fairviewmicrowave.com)

SMA Female Connector Solder Cup Terminal Solder Attachment 4 Hole Flange , .340 inch Hole Spacing from Fairview Microwave is in-stock and available to ship same-day. All of our RF/microwave products are available off-the-shelf from our ISO 9001:2008 certified facilities in Lewisville, Texas. Fairview Microwave is RF on-demand.

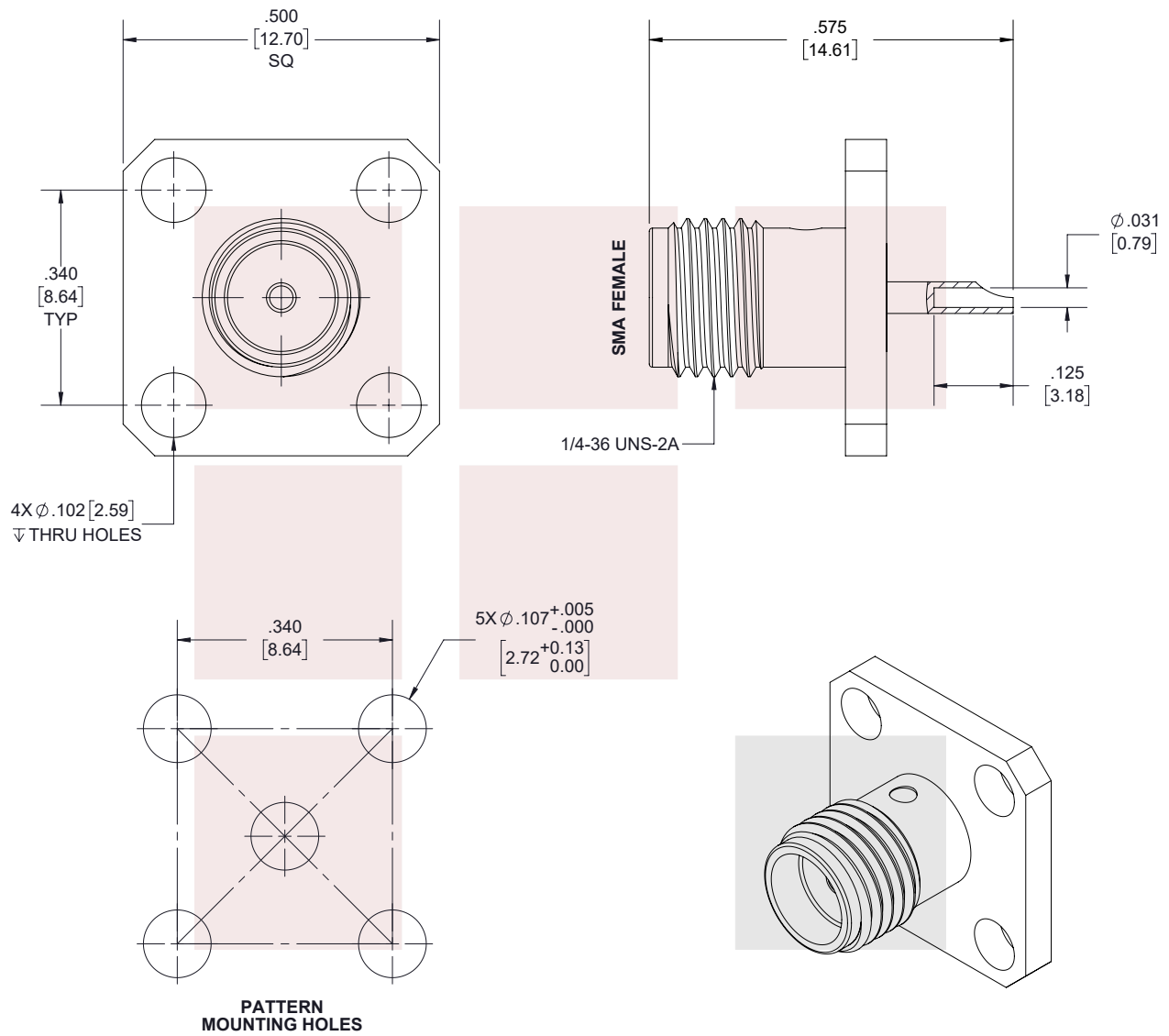
For additional information on this product, please click the following link: [SMA Female Connector Solder Cup Terminal Solder Attachment 4 Hole Flange , .340 inch Hole Spacing FMCN1685](#)

URL: <https://www.fairviewmicrowave.com/sma-female-solder-cup-terminal-connector-fmcn1685-p.aspx>

The information contained in this document is accurate to the best of our knowledge and representative of the part described herein. It may be necessary to make modifications to the part and/or the documentation of the part, in order to implement improvements. Fairview Microwave reserves the right to make such changes as required. Unless otherwise stated, all specifications are nominal. Fairview Microwave does not make any representation or warranty regarding the suitability of the part described herein for any particular purpose, and Fairview Microwave does not assume any liability arising out of the use of any part or documentation.



REVISIONS			
REV.	DESCRIPTION	DATE	APPROVED
A	INITIAL RELEASE	5/18/2020	S.ELLIS



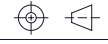
THESE COMMODITIES, TECHNOLOGY OR SOFTWARE WERE EXPORTED FROM THE UNITED STATES IN ACCORDANCE WITH THE EXPORT ADMINISTRATION REGULATIONS. DIVERSION CONTRARY TO U.S. LAW PROHIBITED.

TITLE  
SMA Female Connector Solder Cup Terminal Solder Attachment 4 Hole Flange , .340 inch Hole Spacing

UNLESS OTHERWISE SPECIFIED LEADING DIMENSIONS ARE INCHES  
DIMENSIONS IN [ ] ARE MILLIMETERS

TOLERANCES:		CABLE LENGTH (L) TOLERANCES:	
.X = ±.2 [5.08]	FRACTIONS ± 1/32	L ≤ 12 [305] = +1 [25] / -0	
.XX = ±.02 [.51]	ANGLES ± 1°	12 [305] < L ≤ 60 [1524] = +2 [51] / -0	
.XXX = ±.005 [.13]		60 [1524] < L ≤ 120 [3048] = +4 [102] / -0	
		120 [3048] < L ≤ 300 [7620] = +6 [152] / -0	
		300 [7620] < L = +5%L / -0	

THIRD-ANGLE PROJECTION



THE INFORMATION AND DESIGN IN THIS DOCUMENT IS THE PROPERTY OF FAIRVIEW MICROWAVE CORPORATION. ALL RIGHTS RESERVED.

SHEET	1	OF	1
-------	---	----	---

ALL DIMENSIONS SHOWN ARE FOR REFERENCE ONLY.

SCALE  
N/A

SIZE A	CAGE CODE 3FKR5	DRAWN BY K.DANG	ITEM NO. FMCN1685	REV A
-----------	--------------------	--------------------	----------------------	----------

T-Rev.D