

1.85mm Male PCB Connector Vertical Launch Clamp Attachment for Stripline

1.85mm male connector with clamp attachment for vertical launch PCB, part number FMCN1732, from Fairview Microwave is in-stock and ships same day. This 1.85mm male connector operates up to a maximum frequency of 67 GHz and offers good VSWR of 1.6:1.

Fairview's 1.85mm male connector FMCN1732 datasheet specifications and outline drawing are shown in this PDF below. Our extensive offering of RF, microwave and millimeter wave connectors allows designers to configure and customize their signal connections however they like. From providing an I/O for a board design to creating a custom cable assembly configuration, Fairview Microwave has a connector solution to meet your needs. Fairview Microwave also has the expertise to build your custom cable assemblies for you and ship them same-day.

Electrical Specifications

Description	Min	Typ	Max	Units
Frequency Range	DC		67	GHz
VSWR			1.6:1	

Electrical Specification Notes:
ANSYS HFSS models (version 17.0 or newer) for 3D EM(Electromagnetic) Simulation available upon request

Mechanical Specifications

Size	
Length	0.5 in [12.7 mm]
Width/Dia.	0.39 in [9.91 mm]
Weight	3.2 lbs [1.45 kg]

Material Specifications

Description	Material	Plating
Contact	Beryllium Copper	Gold
Body	Stainless Steel	

Compliance Certifications (see [product page](#) for current document)

Plotted and Other Data

Notes:

- Return Loss and Insertion Loss measured by connecting two connectors back-to-back.



Configuration:

- 1.85mm Male Connector
- 50 Ohms
- Straight Body Geometry
- Vertical Launch Interface Type
- Clamp Attachment

Features:

- Operating Frequency of 67 GHz Max.
- Good VSWR of 1.6:1
- Gold Plated Beryllium Copper Contact

Applications:

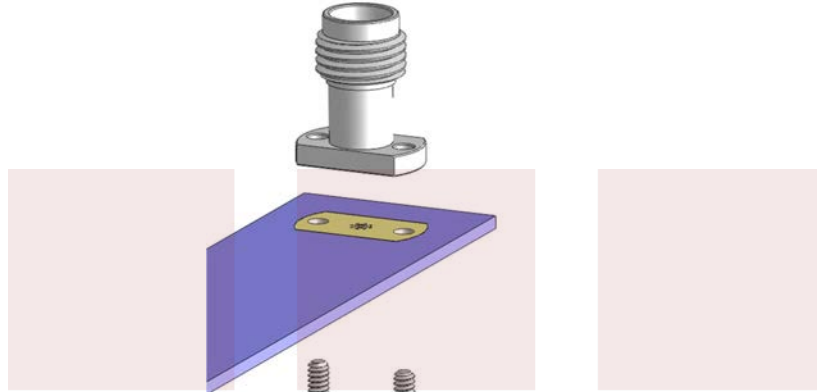
- General Purpose Test
- PCB Applications
- Chip Evaluations
- High Speed Digital Boards
- Vertical Launch Test Fixtures

Fairview Microwave
301 Leora Ln., Suite 100
Lewisville, TX 75056
Tel: 1-800-715-4396 / (972) 649-6678
Fax: (972) 649-6689
www.fairviewmicrowave.com
sales@fairviewmicrowave.com

Assembly Instruction

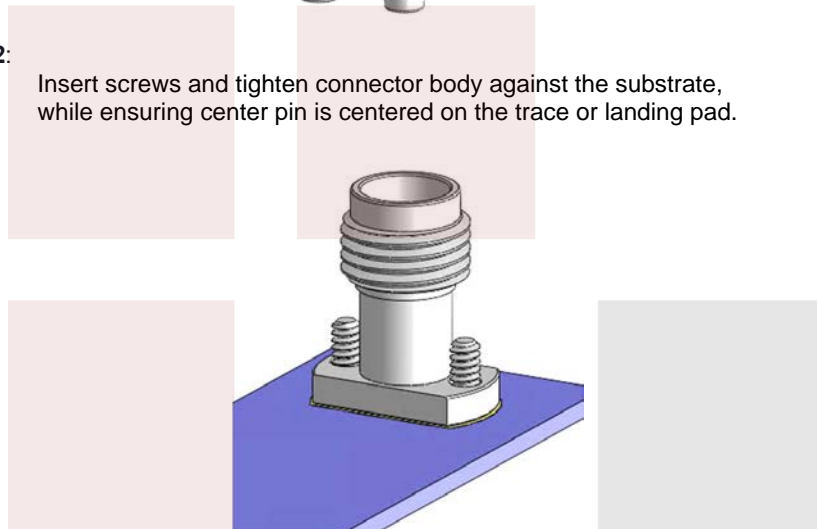
STEP 1 :

Position vertical launch above substrate.

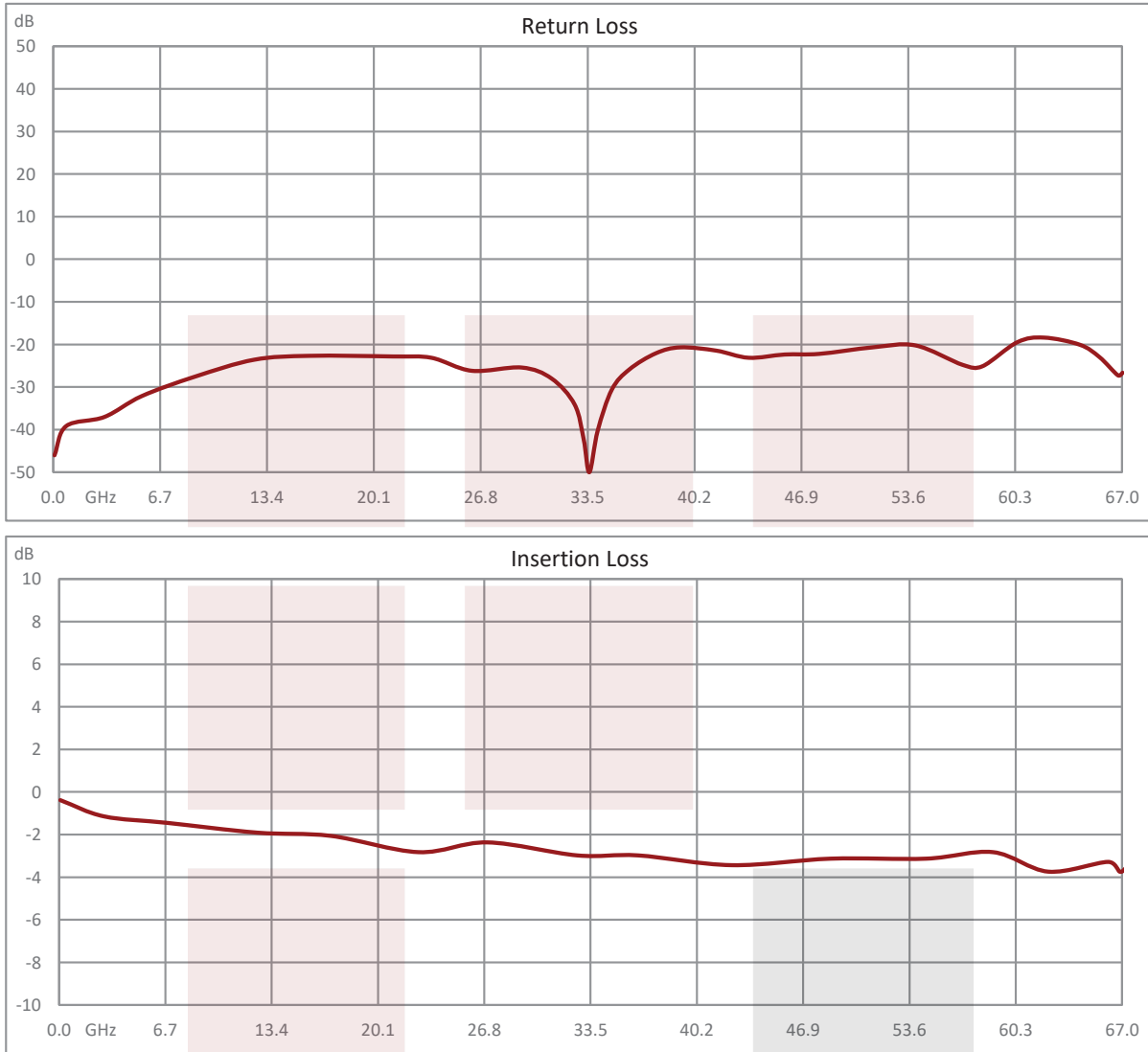


STEP 2:

Insert screws and tighten connector body against the substrate, while ensuring center pin is centered on the trace or landing pad.



Typical Performance Data



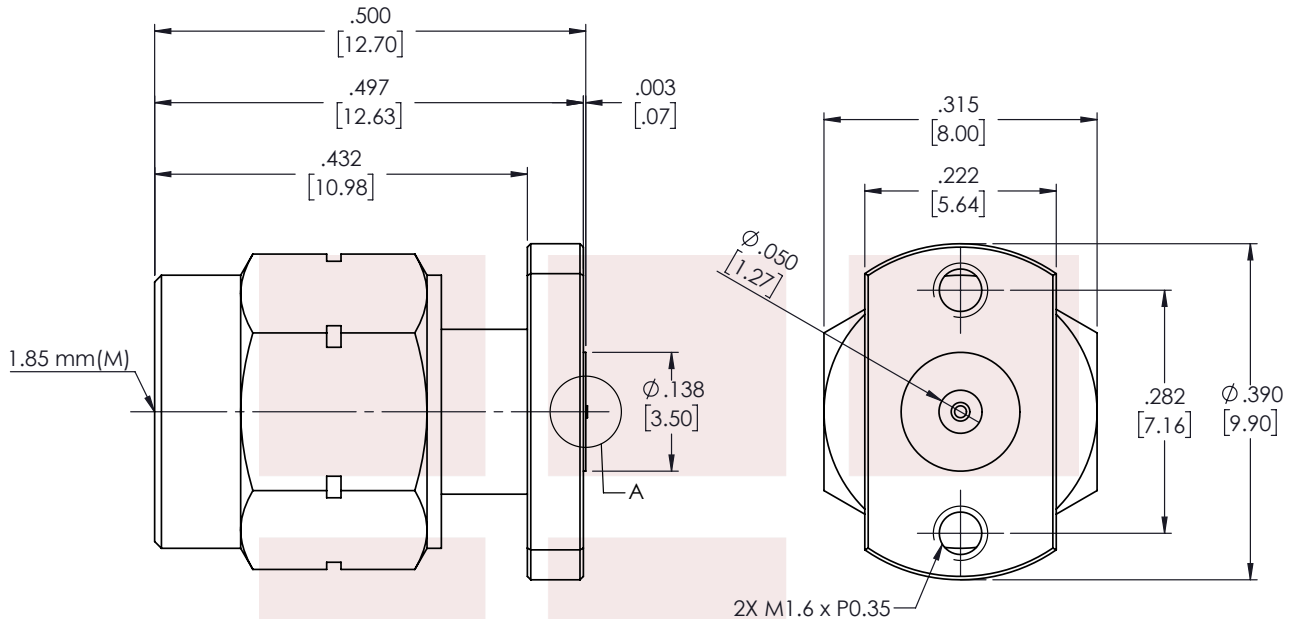
1.85mm Male PCB Connector Vertical Launch Clamp Attachment for Stripline from Fairview Microwave is in-stock and available to ship same-day. All of our RF/microwave products are available off-the-shelf from our ISO 9001:2008 certified facilities in Lewisville, Texas. Fairview Microwave is RF on-demand.

For additional information on this product, please click the following link: [1.85mm Male PCB Connector Vertical Launch Clamp Attachment for Stripline FMCN1732](#)

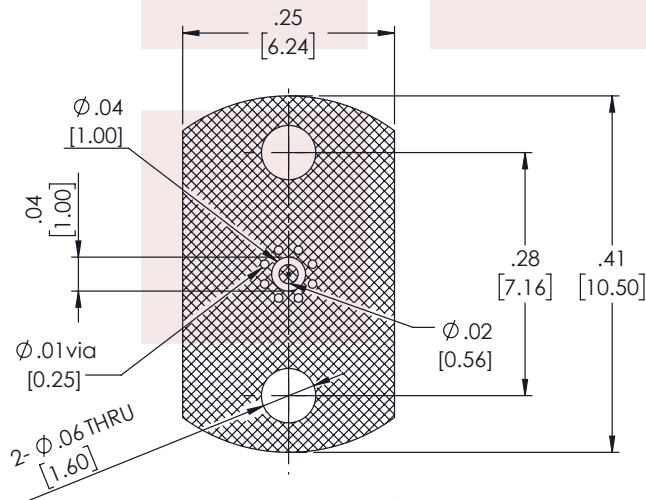
URL: <https://www.fairviewmicrowave.com/1.85mm-male-vertical-launch-pcb-connector-fmcn1732-p.aspx>

The information contained in this document is accurate to the best of our knowledge and representative of the part described herein. It may be necessary to make modifications to the part and/or the documentation of the part, in order to implement improvements. Fairview Microwave reserves the right to make such changes as required. Unless otherwise stated, all specifications are nominal. Fairview Microwave does not make any representation or warranty regarding the suitability of the part described herein for any particular purpose, and Fairview Microwave does not assume any liability arising out of the use of any part or documentation.

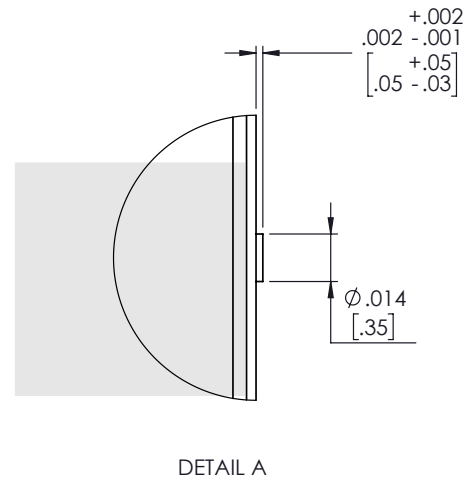
REVISIONS			
REV.	DESCRIPTION	DATE	APPROVED
A	INITIAL RELEASE	07-07-2021	AGANWANI



RECOMMENDED
TOP PCB PATTERN



* PCB : R04003C 8mil



THESE COMMODITIES, TECHNOLOGY OR SOFTWARE WERE EXPORTED FROM THE UNITED STATES IN ACCORDANCE WITH THE EXPORT ADMINISTRATION REGULATIONS. DIVERSION CONTRARY TO U.S. LAW PROHIBITED.

TITLE

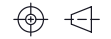
1.85mm Male PCB Connector Vertical Launch Clamp Attachment for Stripline

UNLESS OTHERWISE SPECIFIED LEADING DIMENSIONS ARE INCHES
DIMENSIONS IN [] ARE MILLIMETERS

TOLERANCES: CABLE LENGTH (L) TOLERANCES:

.X = ±.2 [5.08]	FRACTIONS	L ≤ 12 [305] = +1 [25] / -0
.XX = ±.02 [.51]	± 1/32	12 [305] < L ≤ 60 [1524] = +2 [51] / -0
.XXX = ±.005 [.13]	ANGLES ± 1°	60 [1524] < L ≤ 120 [3048] = +4 [102] / -0
		120 [3048] < L ≤ 300 [7620] = +6 [152] / -0
		300 [7620] < L = +5%L / -0

THIRD-ANGLE PROJECTION



THE INFORMATION AND DESIGN IN THIS DOCUMENT IS THE PROPERTY OF FAIRVIEW MICROWAVE CORPORATION. ALL RIGHTS RESERVED.

SHEET 1 OF 1

ALL DIMENSIONS SHOWN ARE FOR REFERENCE ONLY.

SCALE N/A

SIZE A	CAGE CODE 3FKR5	DRAWN BY MVEERAPPAN	ITEM NO. FMCN1732	REV A
-----------	--------------------	------------------------	----------------------	----------

T-Rev.D