

### 1.85mm Female Connector Field Replaceable Attachment 4 Hole Flange with EMI gasket, accepts 0.3mm (.012inch) pin

1.85mm female 4 hole flange mount field replaceable connector with EMI gasket, part number FMCN1790, from Fairview Microwave is in-stock and ships same day. This 1.85mm female connector operates up to a maximum frequency of 67 GHz and offers excellent VSWR of 1.25:1. Fairview's FMCN1790 4 hole flange 1.85mm connector enables designers to make external connections on product enclosures, and can be used in a variety of other rack mount and panel mount applications. Fairview's field replaceable connector is easy to install or replace in the field.

Fairview's 1.85mm female 4 hole flange connector FMCN1790 datasheet specifications and outline drawing are shown in this PDF below. Our extensive offering of RF, microwave and millimeter wave connectors allows designers to configure and customize their signal connections however they like. From providing an I/O for a board design to creating a custom cable assembly configuration, Fairview Microwave has a connector solution to meet your needs. Fairview Microwave also has the expertise to build your custom cable assemblies for you and ship them same-day.



#### Configuration:

- 1.85mm Female Connector
- 50 Ohms
- Straight Body Geometry
- with EMI gasket, accepts 0.3mm (.012inch) pin Interface Type
- Field Replaceable Attachment
- 4 Hole Flange

#### Electrical Specifications

Description	Min	Typ	Max	Units
Frequency Range	DC		67	GHz
VSWR			1.25:1	

#### Features:

- Operating Frequency of 67 GHz Max.
- Excellent VSWR of 1.25:1
- Gold Plated Beryllium Copper Contact

#### Mechanical Specifications

Size	
Length	0.442 in [11.23 mm]
Width/Dia.	0.5 in [12.70 mm]
Height	0.5 in [12.7 mm]
Weight	0.1 lbs [45.36 g]

#### Applications:

- General Purpose Test
- Rack and Panel Mount Applications

#### Material Specifications

Description	Material	Plating
Contact	Beryllium Copper	Gold
Contact Spring	Passivated Stainless Steel	
Insulation	PEI	
Body	Passivated Stainless Steel	
Gasket	Silicone	

#### Environmental Specifications

Temperature	
Operating Range	-40 to +150 deg C

**Compliance Certifications** (see [product page](#) for current document)

#### Plotted and Other Data

Notes:

Fairview Microwave  
301 Leora Ln., Suite 100  
Lewisville, TX 75056  
Tel: 1-800-715-4396 / (972) 649-6678  
Fax: (972) 649-6689  
[www.fairviewmicrowave.com](http://www.fairviewmicrowave.com)  
[sales@fairviewmicrowave.com](mailto:sales@fairviewmicrowave.com)

1.85mm Female Connector Field Replaceable Attachment 4 Hole Flange with EMI gasket, accepts 0.3mm (.012inch) pin from Fairview Microwave is in-stock and available to ship same-day. All of our RF/microwave products are available off-the-shelf from our ISO 9001:2008 certified facilities in Lewisville, Texas. Fairview Microwave is RF on-demand.

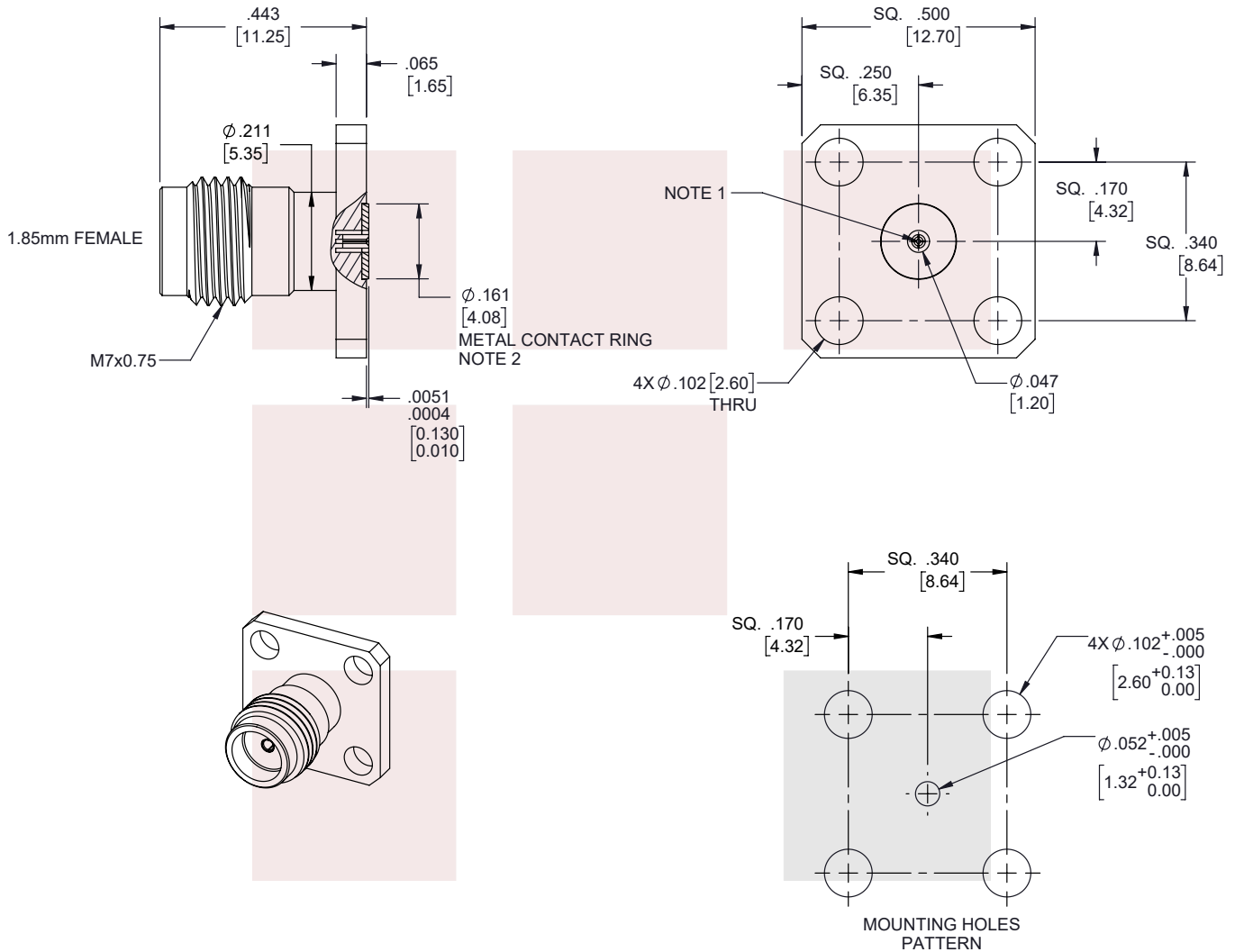
For additional information on this product, please click the following link: [1.85mm Female Connector Field Replaceable Attachment 4 Hole Flange with EMI gasket, accepts 0.3mm \(.012inch\) pin FMCN1790](#)

URL: <https://www.fairviewmicrowave.com/185mm-female-with-emi-gasket-accepts-03mm-012inch-pin-connector-fmcn1790-p.aspx>

The information contained in this document is accurate to the best of our knowledge and representative of the part described herein. It may be necessary to make modifications to the part and/or the documentation of the part, in order to implement improvements. Fairview Microwave reserves the right to make such changes as required. Unless otherwise stated, all specifications are nominal. Fairview Microwave does not make any representation or warranty regarding the suitability of the part described herein for any particular purpose, and Fairview Microwave does not assume any liability arising out of the use of any part or documentation.



REVISIONS			
REV.	DESCRIPTION	DATE	APPROVED
A	INITIAL RELEASE	11/11/2021	SRAUTUS



- NOTES:
1. FEMALE CONTACT ACCEPTS PIN SIZE  $\phi$ .009 [0.23]  $\nabla$ .071 [1.80] MAX.
  2. SEPARATE METAL CONTACT RING (PASSIVATED).

THESE COMMODITIES, TECHNOLOGY OR SOFTWARE WERE EXPORTED FROM THE UNITED STATES IN ACCORDANCE WITH THE EXPORT ADMINISTRATION REGULATIONS. DIVERSION CONTRARY TO U.S. LAW PROHIBITED.



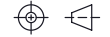
TITLE  
1.85mm Female Connector Field Replaceable Attachment 4 Hole Flange with EMI gasket, accepts 0.3mm (.012inch) pin

UNLESS OTHERWISE SPECIFIED LEADING DIMENSIONS ARE INCHES  
DIMENSIONS IN [ ] ARE MILLIMETERS

TOLERANCES: CABLE LENGTH (L) TOLERANCES:

.X = ±.2 [5.08]	FRACTIONS ± 1/32	L ≤ 12 [305] = +1 [25] / -0
.XX = ±.02 [.51]	ANGLES ± 1°	12 [305] < L ≤ 60 [1524] = +2 [51] / -0
.XXX = ±.005 [.13]		60 [1524] < L ≤ 120 [3048] = +4 [102] / -0
		120 [3048] < L ≤ 300 [7620] = +6 [152] / -0
		300 [7620] < L = +5%L / -0

THIRD-ANGLE PROJECTION



THE INFORMATION AND DESIGN IN THIS DOCUMENT IS THE PROPERTY OF FAIRVIEW MICROWAVE CORPORATION. ALL RIGHTS RESERVED.

SHEET 1 OF 1

SCALE N/A

ALL DIMENSIONS SHOWN ARE FOR REFERENCE ONLY.

SIZE A	CAGE CODE 3FKR5	DRAWN BY MVEERAPPAN	ITEM NO. FMCN1790	REV A
-----------	--------------------	------------------------	----------------------	----------

T-Rev.D