

1.0/2.3 Jack Bulkhead Mount Connector Solder Attachment for FM-SR086ALTN, FM-SR086TB, RG405, .235 inch D Hole

1.0/2.3 jack bulkhead connector with solder/solder attachment for FM-SR086ALTN, FM-SR086TB and RG405 (.235 inch D hole), part number FMCN1821, from Fairview Microwave is in-stock and ships same day. Fairview's FMCN1821 bulkhead 1.0/2.3 connector enables designers to make external connections on product enclosures, and can be used in a variety of other rack mount and panel mount applications.

Fairview's 1.0/2.3 jack bulkhead connector FMCN1821 datasheet specifications and outline drawing are shown in this PDF below. Our extensive offering of RF, microwave and millimeter wave connectors allows designers to configure and customize their signal connections however they like. From providing an I/O for a board design to creating a custom cable assembly configuration, Fairview Microwave has a connector solution to meet your needs. Fairview Microwave also has the expertise to build your custom cable assemblies for you and ship them same-day.

Mechanical Specifications

| | |
|-------------|--------------------|
| Size | |
| Length | 0.99 in [25.15 mm] |
| Width/Dia. | 0.255 in [6.48 mm] |
| Height | 0.5 in [12.7 mm] |
| Weight | 0.013 lbs [5.9 g] |

Material Specifications

| Description | Material | Plating |
|-------------|------------------|------------------------|
| Contact | Beryllium Copper | Gold 30 µin minimum |
| Insulation | PTFE | |
| Body | Brass | Gold 3 µin minimum |

Compliance Certifications (see [product page](#) for current document)

Plotted and Other Data

Notes:



Configuration:

- 1.0/2.3 Jack Connector
- 50 Ohms
- Straight Body Geometry
- FM-SR086ALTN, FM-SR086TB, RG405 Interface Type
- Solder/Solder Attachment
- Bulkhead

Features:

- Gold Plated Beryllium Copper Contact
- 30 µin minimum contact plating

Applications:

- General Purpose Test
- Rack and Panel Mount Applications
- Custom Cable Assemblies

Fairview Microwave
301 Leora Ln., Suite 100
Lewisville, TX 75056
Tel: 1-800-715-4396 / (972) 649-6678
Fax: (972) 649-6689
www.fairviewmicrowave.com
sales@fairviewmicrowave.com

1.0/2.3 Jack Bulkhead Mount Connector Solder Attachment for FM-SR086ALTN, FM-SR086TB, RG405, .235 inch D Hole from Fairview Microwave is in-stock and available to ship same-day. All of our RF/microwave products are available off-the-shelf from our ISO 9001:2008 certified facilities in Lewisville, Texas. Fairview Microwave is RF on-demand.

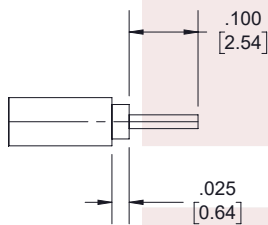
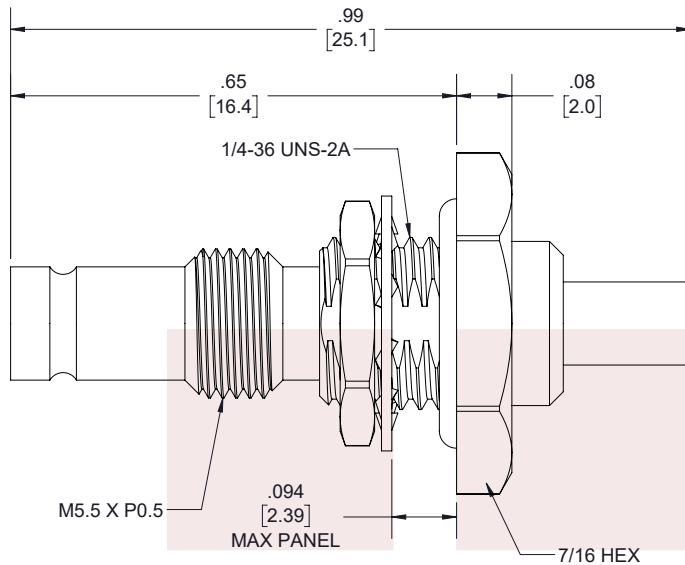
For additional information on this product, please click the following link: [1.0/2.3 Jack Bulkhead Mount Connector Solder Attachment for FM-SR086ALTN, FM-SR086TB, RG405, .235 inch D Hole FMCN1821](#)

URL: <https://www.fairviewmicrowave.com/1.0-2.3-jack-fm-sr086altn-fm-sr086tb-rg405-connector-fmcn1821-p.aspx>

The information contained in this document is accurate to the best of our knowledge and representative of the part described herein. It may be necessary to make modifications to the part and/or the documentation of the part, in order to implement improvements. Fairview Microwave reserves the right to make such changes as required. Unless otherwise stated, all specifications are nominal. Fairview Microwave does not make any representation or warranty regarding the suitability of the part described herein for any particular purpose, and Fairview Microwave does not assume any liability arising out of the use of any part or documentation.



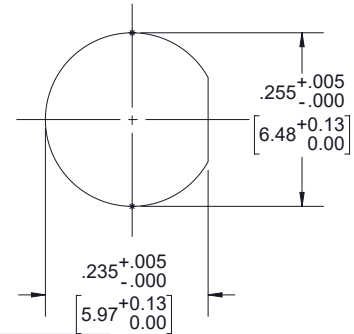
| REVISIONS | | | |
|-----------|-----------------|------------|-----------|
| REV. | DESCRIPTION | DATE | APPROVED |
| A | INITIAL RELEASE | 02/11/2022 | A.GANWANI |



STRIPPING DIMENSIONS

ASSEMBLY PROCEDURES

1. STRIP CABLE AS SHOWN & TIN CENTER CONDUCTOR. DO NOT NICK CENTER CONDUCTOR.
2. SOLDER CONTACT TO CENTER CONDUCTOR.
3. INSERT CABLE INTO BODY UNTIL OUTER CONDUCTOR BOTTOMS OUT. SOLDER OUTER CONDUCTOR TO BODY.



MOUNTING HOLE

THESE COMMODITIES, TECHNOLOGY OR SOFTWARE WERE EXPORTED FROM THE UNITED STATES IN ACCORDANCE WITH THE EXPORT ADMINISTRATION REGULATIONS. DIVERSION CONTRARY TO U.S. LAW PROHIBITED.

TITLE

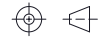
1.0/2.3 Jack Bulkhead Mount Connector Solder Attachment for FM-SR086ALTN, FM-SR086TB, RG405, .235 inch D Hole

UNLESS OTHERWISE SPECIFIED LEADING DIMENSIONS ARE INCHES
DIMENSIONS IN [] ARE MILLIMETERS

TOLERANCES: CABLE LENGTH (L) TOLERANCES:

| | | |
|---------------------|------------------|---|
| .X = ±.2 [5.08] | FRACTIONS ± 1/32 | L ≤ 12 [305] = +1 [25] / -0 |
| .XX = ±.02 [.51] | ANGLES ± 1° | 12 [305] < L ≤ 60 [1524] = +2 [51] / -0 |
| .XXX = ±.005 [.13] | | 60 [1524] < L ≤ 120 [3048] = +4 [102] / -0 |
| | | 120 [3048] < L ≤ 300 [7620] = +6 [152] / -0 |
| | | 300 [7620] < L = +5%L / -0 |

THIRD-ANGLE PROJECTION



THE INFORMATION AND DESIGN IN THIS DOCUMENT IS THE PROPERTY OF FAIRVIEW MICROWAVE CORPORATION. ALL RIGHTS RESERVED.

SHEET 1 OF 1

ALL DIMENSIONS SHOWN ARE FOR REFERENCE ONLY.

SCALE N/A

| | | | | |
|--------|-----------------|--------------------|-------------------|-------|
| SIZE A | CAGE CODE 3FKR5 | DRAWN BY K.GLEBOVA | ITEM NO. FMCN1821 | REV A |
|--------|-----------------|--------------------|-------------------|-------|

T-Rev.D