

## 75 Ohm 1.0/2.3 Plug Push-On Connector Crimp/ Crimp Attachment for RG59BU Cable



### FMCN1824

#### Configuration

- Push-On 1.0/2.3 Plug Connector
- 75 Ohms
- Straight Body Geometry
- Connector Interface Types: RG59BU

#### Features

- Operating Frequency of 3 GHz Max.
- Excellent VSWR of 1.15:1
- Gold Plated Brass Contact

#### Applications

- General Purpose Test
- Custom Cable Assemblies

#### Description

75 Ohm 1.0/2.3 Plug Standard Push-On Connector Crimp/Crimp Attachment for RG59BU Cable, part number FMCN1824, from Fairview Microwave is in-stock and ships same day. This 1.0/2.3 plug connector operates up to a maximum frequency of 3 GHz and offers excellent VSWR of 1.15:1.

Fairview's 75 ohm 1.0/2.3 plug connector FMCN1824 datasheet specifications and outline drawing are shown in this PDF below. Our extensive offering of RF, microwave and millimeter wave connectors allows designers to configure and customize their signal connections however they like. From providing an I/O for a board design to creating a custom cable assembly configuration, Fairview Microwave has a connector solution to meet your needs. Fairview Microwave also has the expertise to build your custom cable assemblies for you and ship them same-day.

#### Electrical Specifications

Description	Minimum	Typical	Maximum	Units
Frequency Range	DC		3	GHz
VSWR			1.15:1	
Impedance		75		Ohms

#### Mechanical Specifications

##### Size

Length	1.15 in [29.21 mm]
Width	0.307 in [7.8 mm]
Height	0.297 in [7.54 mm]
Weight	0.017 lbs [7.71 g]

#### Material Specifications

Description	Material	Plating
Contact	Brass	Gold
Insulation	PTFE	
Body	Brass	Nickel
Coupling Nut	Brass	Nickel
Crimp Sleeve	Brass	Nickel

## 75 Ohm 1.0/2.3 Plug Push-On Connector Crimp/ Crimp Attachment for RG59BU Cable



### FMCN1824

---

#### Environmental Specifications

##### Temperature

Operating Range

-65 to +165 deg C

**Compliance Certifications** (see [product page](#) for current document)

#### Plotted and Other Data

Notes:

75 Ohm 1.0/2.3 Plug Push-On Connector Crimp/Crimp Attachment for RG59BU Cable from Fairview Microwave is in-stock and available to ship same-day. All of our RF/microwave products are available off-the-shelf from our ISO 9001:2008 certified facilities in Lewisville, Texas. Fairview Microwave is RF on-demand.

For additional information on this product, please click the following link: [75 Ohm 1.0/2.3 Plug Push-On Connector Crimp/Crimp Attachment for RG59BU Cable FMCN1824](#)

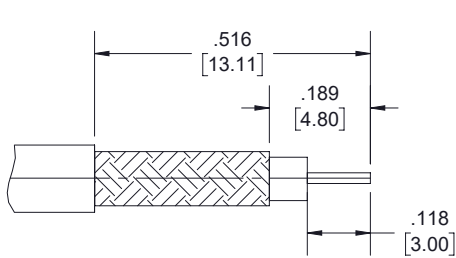
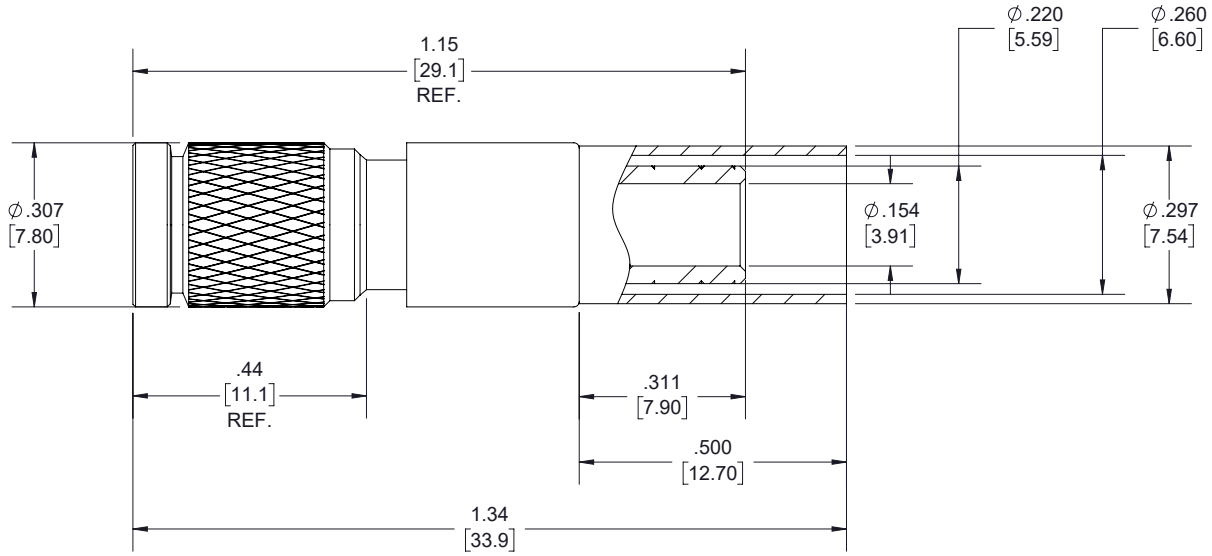
URL: <https://www.fairviewmicrowave.com/1.0-2.3-plug-push-on-rg59bu-connector-fmcn1824-p.aspx>

The information contained within this document is accurate to the best of our knowledge and representative of the part described herein. It may be necessary to make modifications to the part and/or the documentation of the part in order to implement improvements. Fairview Microwave reserves the right to make such changes as required. Unless otherwise stated, all specifications are nominal. Fairview Microwave does not make any representation or warranty regarding the suitability of the part described herein for any particular purpose, and Fairview Microwave does not assume liability arising out of the use of any part or document.

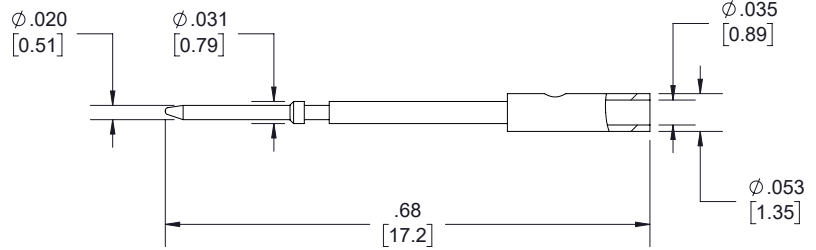
# FMCN1824 CAD Drawing

75 Ohm 1.0/2.3 Plug Push-On Connector Crimp/Crimp Attachment for RG59BU Cable

REVISIONS			
REV.	DESCRIPTION	DATE	APPROVED
A	INITIAL RELEASE	02/11/2022	A.GANWANI



STRIPPING DIMENSIONS



**CRIMP TOOL REQUIRED**

CONTACT: .043" [1.09] HEX CRIMP TOOL.  
 FERRULE: .255" [6.48] HEX CRIMP TOOL.

THESE COMMODITIES, TECHNOLOGY OR SOFTWARE WERE EXPORTED FROM THE UNITED STATES IN ACCORDANCE WITH THE EXPORT ADMINISTRATION REGULATIONS. DIVERSION CONTRARY TO U.S. LAW PROHIBITED.



TITLE	UNLESS OTHERWISE SPECIFIED LEADING DIMENSIONS ARE INCHES DIMENSIONS IN [ ] ARE MILLIMETERS		THIRD-ANGLE PROJECTION	
	TOLERANCES:	CABLE LENGTH (L) TOLERANCES:		<p>THE INFORMATION AND DESIGN IN THIS DOCUMENT IS THE PROPERTY OF FAIRVIEW MICROWAVE CORPORATION. ALL RIGHTS RESERVED.</p>
	X = ± .2 [5.08] FRACTIONS ± 1/32 .XX = ± .02 [.51] ANGLES ± 1° .XXX = ± .005 [.13]	L ≤ 12 [305] = +1 [25] / -0 12 [305] < L ≤ 60 [1524] = +2 [51] / -0 60 [1524] < L ≤ 120 [3048] = +4 [102] / -0 120 [3048] < L ≤ 300 [7620] = +6 [152] / -0 300 [7620] < L = +5%L / -0	SHEET 1 OF 1	
	ALL DIMENSIONS SHOWN ARE FOR REFERENCE ONLY.			SCALE N/A
SIZE A	CAGE CODE 3FKR5	DRAWN BY K.GLEBOVA	ITEM NO. FMCN1824	REV A

T-Rev.D