

3.5mm Female Connector Clamp/Solder Attachment for FM-SR141ALTN, FM-SR141TB, FM-SR141TBJ, FM-SR141CUTN, RG402

3.5mm Female Standard Connector Clamp/Solder Attachment for FM-SR141ALTN, FM-SR141TB, FM-SR141TBJ, FM-SR141CUTN and RG402 Cable, part number FMCN1826, from Fairview Microwave is in-stock and ships same day. This 3.5mm female connector operates up to a maximum frequency of 34 GHz and offers excellent VSWR of 1.2:1.

Fairview's 3.5mm female connector FMCN1826 datasheet specifications and outline drawing are shown in this PDF below. Our extensive offering of RF, microwave and millimeter wave connectors allows designers to configure and customize their signal connections however they like. From providing an I/O for a board design to creating a custom cable assembly configuration, Fairview Microwave has a connector solution to meet your needs. Fairview Microwave also has the expertise to build your custom cable assemblies for you and ship them same-day.

Electrical Specifications

Description	Min	Typ	Max	Units
Frequency Range	DC		34	GHz
VSWR			1.2:1	

Mechanical Specifications

Size	
Length	0.786 in [19.96 mm]
Width/Dia.	0.315 in [8.00 mm]
Height	0.5 in [12.7 mm]
Weight	0.012 lbs [5.44 g]

Material Specifications

Description	Material	Plating
Contact	Beryllium Copper	Gold over Nickel 50 µin minimum
Insulation	PCTFE	
Body	Passivated Stainless Steel	SAE-AMS-2700

Compliance Certifications (see [product page](#) for current document)

Plotted and Other Data

Notes:



Configuration:

- 3.5mm Female Connector
- 50 Ohms
- Straight Body Geometry
- FM-SR141ALTN, FM-SR141TB, FM-SR141TBJ, FM-SR141CUTN, RG402 Interface Type
- Clamp/Solder Attachment

Features:

- Operating Frequency of 34 GHz Max.
- Excellent VSWR of 1.2:1
- Gold over Nickel Plated Beryllium Copper Contact
- 50 µin minimum contact plating

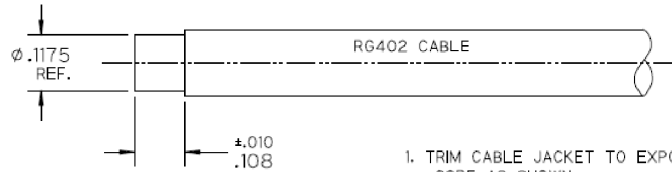
Applications:

- General Purpose Test
- Custom Cable Assemblies

Fairview Microwave
301 Leora Ln., Suite 100
Lewisville, TX 75056
Tel: 1-800-715-4396 / (972) 649-6678
Fax: (972) 649-6689
www.fairviewmicrowave.com
sales@fairviewmicrowave.com

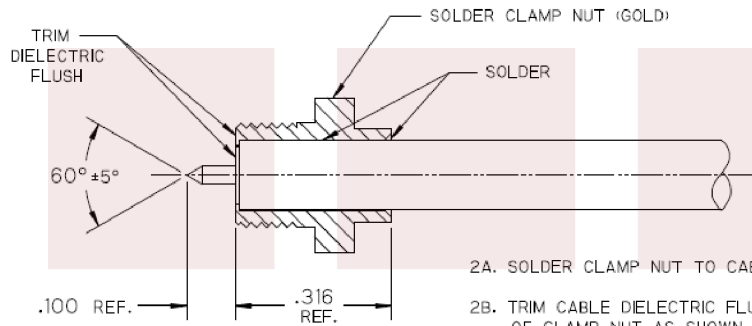
Assembly Instruction

STEP 1



1. TRIM CABLE JACKET TO EXPOSE DIELECTRIC CORE AS SHOWN.

STEP 2

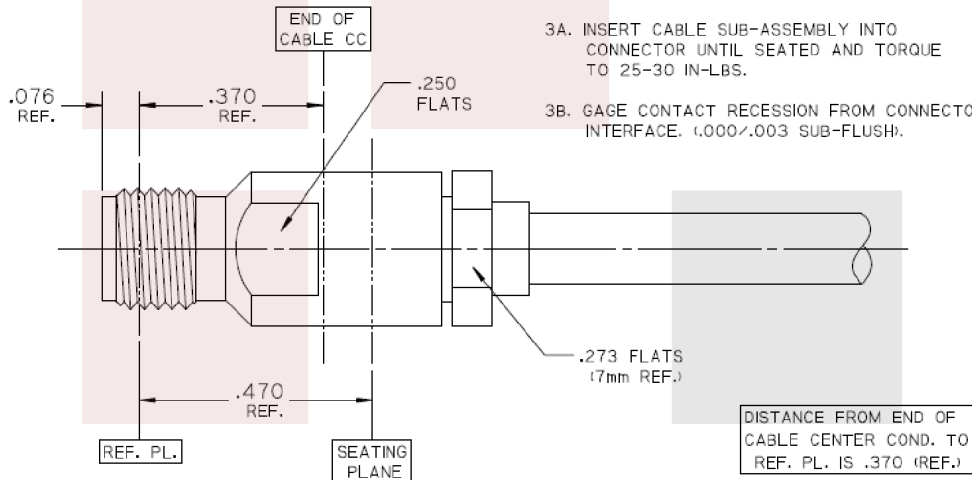


2A. SOLDER CLAMP NUT TO CABLE AS SHOWN.

2B. TRIM CABLE DIELECTRIC FLUSH WITH FACE OF CLAMP NUT AS SHOWN.

2C. POINT CABLE CENTER CONDUCTOR AS SHOWN.

STEP 3



3A. INSERT CABLE SUB-ASSEMBLY INTO CONNECTOR UNTIL SEATED AND TORQUE TO 25-30 IN-LBS.

3B. GAGE CONTACT RECESSON FROM CONNECTOR INTERFACE (.000/.003 SUB-FLUSH).

3.5mm Female Connector Clamp/Solder Attachment for FM-SR141ALTN, FM-SR141TB, FM-SR141TBJ, FM-SR141CUTN, RG402 from Fairview Microwave is in-stock and available to ship same-day. All of our RF/microwave products are available off-the-shelf from our ISO 9001:2008 certified facilities in Lewisville, Texas. Fairview Microwave is RF on-demand.

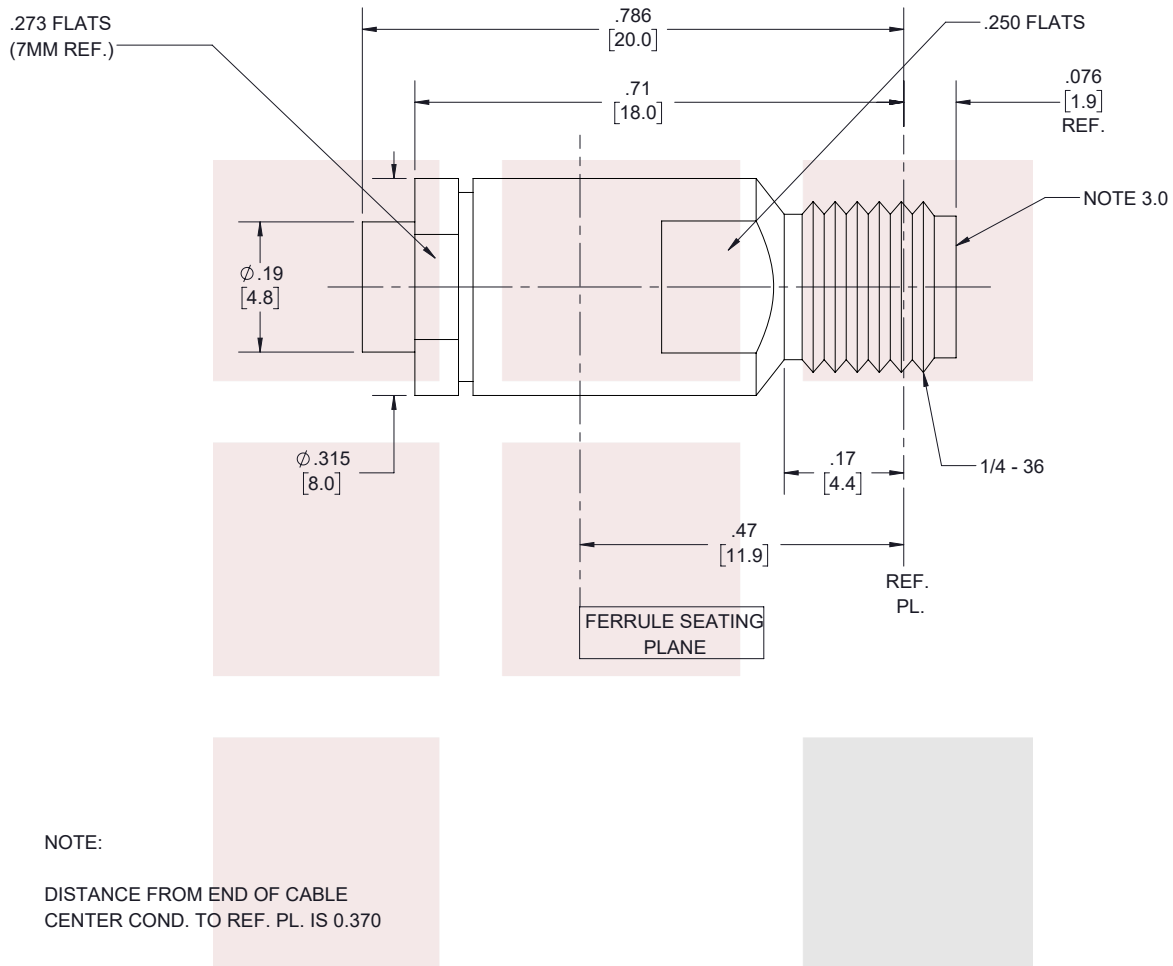
For additional information on this product, please click the following link: [3.5mm Female Connector Clamp/Solder Attachment for FM-SR141ALTN, FM-SR141TB, FM-SR141TBJ, FM-SR141CUTN, RG402 FMCN1826](#)

URL: <https://www.fairviewmicrowave.com/3.5mm-female-fm-sr141altn-fm-sr141tb-fm-sr141tbj-fm-sr141cutn-rg402-connector-fmcn1826-p.aspx>

The information contained in this document is accurate to the best of our knowledge and representative of the part described herein. It may be necessary to make modifications to the part and/or the documentation of the part, in order to implement improvements. Fairview Microwave reserves the right to make such changes as required. Unless otherwise stated, all specifications are nominal. Fairview Microwave does not make any representation or warranty regarding the suitability of the part described herein for any particular purpose, and Fairview Microwave does not assume any liability arising out of the use of any part or documentation.



REVISIONS			
REV.	DESCRIPTION	DATE	APPROVED
A	INITIAL RELEASE	02/11/2022	A.GANWANI



THESE COMMODITIES, TECHNOLOGY OR SOFTWARE WERE EXPORTED FROM THE UNITED STATES IN ACCORDANCE WITH THE EXPORT ADMINISTRATION REGULATIONS. DIVERSION CONTRARY TO U.S. LAW PROHIBITED.

TITLE

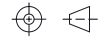
3.5mm Female Connector Clamp/Solder Attachment for FM-SR141ALTN, FM-SR141TB, FM-SR141TBJ, FM-SR141CUTN, RG402

UNLESS OTHERWISE SPECIFIED LEADING DIMENSIONS ARE INCHES
DIMENSIONS IN [] ARE MILLIMETERS

TOLERANCES: CABLE LENGTH (L) TOLERANCES:

.X = ±.2 [5.08]	FRACTIONS ± 1/32	L ≤ 12 [305] = +1 [25] / -0
.XX = ±.02 [.51]	ANGLES ± 1°	12 [305] < L ≤ 60 [1524] = +2 [51] / -0
.XXX = ±.005 [.13]		60 [1524] < L ≤ 120 [3048] = +4 [102] / -0
		120 [3048] < L ≤ 300 [7620] = +6 [152] / -0
		300 [7620] < L = +5%L / -0

THIRD-ANGLE PROJECTION



THE INFORMATION AND DESIGN IN THIS DOCUMENT IS THE PROPERTY OF FAIRVIEW MICROWAVE CORPORATION. ALL RIGHTS RESERVED.

SHEET 1 OF 2

ALL DIMENSIONS SHOWN ARE FOR REFERENCE ONLY.

SCALE N/A

SIZE A	CAGE CODE 3FKR5	DRAWN BY K.GLEBOVA	ITEM NO. FMCN1826	REV A
--------	-----------------	--------------------	-------------------	-------

T-Rev.D