

### 7/16 DIN Male Right Angle Connector Crimp/Solder Attachment for RG8X, 0.240 inch, LMR-240, LMR-240-DB, LMR-240-UF, B7808A

RA 7/16 DIN male connector with crimp/solder attachment for RG8X, .240 inch, LMR-240, LMR-240-DB, LMR-240-UF and B7808A, part number FMCN1833, from Fairview Microwave is in-stock and ships same day. This 7/16 DIN male connector operates up to a maximum frequency of 7.5 GHz. Its right angle body geometry facilitates connections in tight spaces.

Fairview's RA 7/16 DIN male connector FMCN1833 datasheet specifications and outline drawing are shown in this PDF below. Our extensive offering of RF, microwave and millimeter wave connectors allows designers to configure and customize their signal connections however they like. From providing an I/O for a board design to creating a custom cable assembly configuration, Fairview Microwave has a connector solution to meet your needs. Fairview Microwave also has the expertise to build your custom cable assemblies for you and ship them same-day.

#### Electrical Specifications

Description	Min	Typ	Max	Units
Frequency Range	DC		7.5	GHz

#### Mechanical Specifications

Size	Min	Typ	Max	Units
Length			1.34 in [34.04 mm]	
Width/Dia.			0.9 in [22.86 mm]	
Height			1.47 in [37.34 mm]	
Weight			0.19 lbs [86.18 g]	

#### Material Specifications

Description	Material	Plating
Contact	Beryllium Copper	Silver
Insulation	PTFE	
Body	Brass	Tri-Metal
Coupling Nut	Brass	Tri-Metal

#### Environmental Specifications

##### Temperature

Operating Range -65 to +165 deg C

**Compliance Certifications** (see [product page](#) for current document)

#### Plotted and Other Data

Notes:



#### Configuration:

- 7/16 DIN Male Connector
- 50 Ohms
- Right Angle Body Geometry
- RG8X, .240 inch, LMR-240, LMR-240-DB, LMR-240-UF, B7808A Interface Type
- Crimp/Solder Attachment
- 1 1/4 inch Hex

#### Features:

- Operating Frequency of 7.5 GHz Max.
- Silver Plated Beryllium Copper Contact

#### Applications:

- General Purpose Test
- Custom Cable Assemblies

Fairview Microwave  
301 Leora Ln., Suite 100  
Lewisville, TX 75056  
Tel: 1-800-715-4396 / (972) 649-6678  
Fax: (972) 649-6689  
[www.fairviewmicrowave.com](http://www.fairviewmicrowave.com)  
[sales@fairviewmicrowave.com](mailto:sales@fairviewmicrowave.com)

7/16 DIN Male Right Angle Connector Crimp/Solder Attachment for RG8X, 0.240 inch, LMR-240, LMR-240-DB, LMR-240-UF, B7808A from Fairview Microwave is in-stock and available to ship same-day. All of our RF/microwave products are available off-the-shelf from our ISO 9001:2008 certified facilities in Lewisville, Texas. Fairview Microwave is RF on-demand.

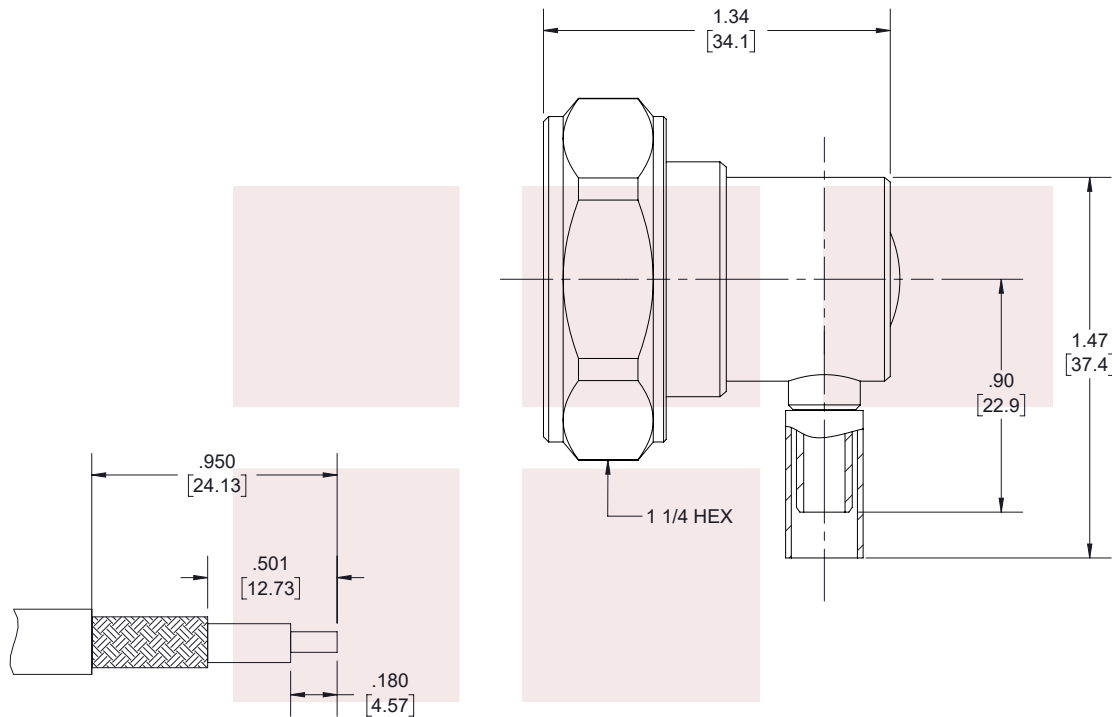
For additional information on this product, please click the following link: [7/16 DIN Male Right Angle Connector Crimp/Solder Attachment for RG8X, 0.240 inch, LMR-240, LMR-240-DB, LMR-240-UF, B7808A FMCN1833](#)

URL: <https://www.fairviewmicrowave.com/7-16-din-male-rg8x-.240-lmr-240-lmr-240-db-lmr-240-uf-b7808a-connector-fmcn1833-p.aspx>

The information contained in this document is accurate to the best of our knowledge and representative of the part described herein. It may be necessary to make modifications to the part and/or the documentation of the part, in order to implement improvements. Fairview Microwave reserves the right to make such changes as required. Unless otherwise stated, all specifications are nominal. Fairview Microwave does not make any representation or warranty regarding the suitability of the part described herein for any particular purpose, and Fairview Microwave does not assume any liability arising out of the use of any part or documentation.



REVISIONS			
REV.	DESCRIPTION	DATE	APPROVED
A	INITIAL RELEASE	02/11/2022	A.GANWANI



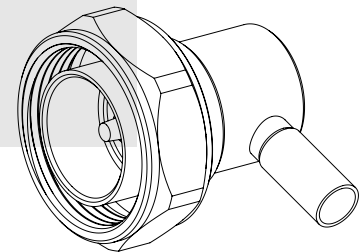
**STRIPPING DIMENSIONS**

**ASSEMBLY PROCEDURES**

1. STRIP CABLE AS SHOWN. SLIDE FERRULE OVER CABLE.
2. INSTALL CABLE INTO BODY OF CONNECTOR AND SOFT SOLDER CENTER CONDUCTOR IN PLACE.
3. CRIMP FERRULE AND PRESS CAP DOWN.

**CRIMP SIZE REQUIRED**

FERRULE: .255" [6.48] HEX CRIMP TOOL.



THESE COMMODITIES, TECHNOLOGY OR SOFTWARE WERE EXPORTED FROM THE UNITED STATES IN ACCORDANCE WITH THE EXPORT ADMINISTRATION REGULATIONS. DIVERSION CONTRARY TO U.S. LAW PROHIBITED.

<p><b>Fairview Microwave</b> an INFINIT<sup>®</sup> brand</p>	UNLESS OTHERWISE SPECIFIED LEADING DIMENSIONS ARE INCHES DIMENSIONS IN [ ] ARE MILLIMETERS		THIRD-ANGLE PROJECTION 	
	TOLERANCES:		CABLE LENGTH (L) TOLERANCES:	
TITLE  7/16 DIN Male Right Angle Connector Crimp/Solder Attachment for RG8X, 0.240 inch, LMR-240, LMR-240-DB, LMR-240-UF, B7808A	.X = ±.2 [5.08]	FRACTIONS ± 1/32	L ≤ 12 [305] = +1 [25] / -0	THE INFORMATION AND DESIGN IN THIS DOCUMENT IS THE PROPERTY OF FAIRVIEW MICROWAVE CORPORATION. ALL RIGHTS RESERVED. SHEET 1 OF 1
	.XX = ±.02 [.51]	ANGLES ± 1°	12 [305] < L ≤ 60 [1524] = +2 [51] / -0 60 [1524] < L ≤ 120 [3048] = +4 [102] / -0 120 [3048] < L ≤ 300 [7620] = +6 [152] / -0 300 [7620] < L = +5%L / -0	
ALL DIMENSIONS SHOWN ARE FOR REFERENCE ONLY.				REV A
SIZE A	CAGE CODE 3FKR5	DRAWN BY K.GLEBOVA	ITEM NO. FMCN1833	REV A

T-Rev.D