

7/16 DIN Male Hermetically Sealed Connector Terminal Solder/Solder Attachment 4 Hole Flange

7/16 DIN Male 4 hole Flange Mount Hermetically Sealed 4 hole Flange Mount Connector Solder/Solder Attachment, part number FMCN1944, from Fairview Microwave is in-stock and ships same day. This 7/16 DIN male connector operates up to a maximum frequency of 7.5 GHz and offers excellent VSWR of 1.25:1. Fairview's FMCN1944 4 hole flange 7/16 DIN connector enables designers to make external connections on product enclosures, and can be used in a variety of other rack mount and panel mount applications.

Fairview's 7/16 DIN male 4 hole flange connector FMCN1944 datasheet specifications and outline drawing are shown in this PDF below. Our extensive offering of RF, microwave and millimeter wave connectors allows designers to configure and customize their signal connections however they like. From providing an I/O for a board design to creating a custom cable assembly configuration, Fairview Microwave has a connector solution to meet your needs. Fairview Microwave also has the expertise to build your custom cable assemblies for you and ship them same-day.

Electrical Specifications

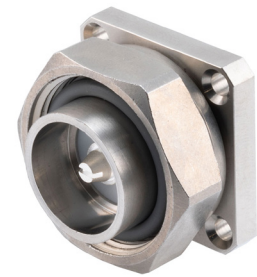
Description	Min	Typ	Max	Units
Frequency Range	DC		7.5	GHz
VSWR			1.25:1	
Insertion Loss			0.05	dB
Operating Voltage (AC)			2,700	Vrms
DWV (AC)			4,000	Vrms
Inner Cond. DC Resistance			0.4	mOhms
Outer Cond. DC Resistance			1.5	mOhms
Insulation Resistance	10,000			MOhms
RF Leakage	128			dB

Mechanical Specifications

Size	
Length	1.05 in [26.67 mm]
Width/Dia.	1.26 in [32.00 mm]
Height	1.26 in [32 mm]
Weight	0.08 lbs [36.29 g]
Mating Cycles	500 Cycles
Mating Torque	260 to 310 in-lbs [29.38 to 35.03 Nm]
Cable Retention Force	221 lbs [100.24 kg]

Material Specifications

Description	Material	Plating
Contact	Brass	Silver over Copper
Insulation	PTFE	
Body	Brass	Tri-Metal over Copper
Coupling Nut	Brass	Tri-Metal over Copper



Configuration:

- 7/16 DIN Male Connector
- 50 Ohms
- Straight Body Geometry
- Solder/Solder Attachment
- 4 Hole Flange

Features:

- Operating Frequency of 7.5 GHz Max.
- Excellent VSWR of 1.25:1
- Hermetically Sealed
- Silver over Copper Plated Brass Contact

Applications:

- General Purpose Test
- Rack and Panel Mount Applications

Fairview Microwave
 301 Leora Ln., Suite 100
 Lewisville, TX 75056
 Tel: 1-800-715-4396 / (972) 649-6678
 Fax: (972) 649-6689
www.fairviewmicrowave.com
sales@fairviewmicrowave.com

Retaining Ring	Brass	Tri-Metal over Copper
Gasket	Silicone	
Washer	Brass	Tri-Metal over Copper

Environmental Specifications

Temperature

Operating Range	-65 to +165 deg C
Humidity	MIL-STD-202, Method106
Thermal Shock	MIL-STD-202, Method107, Condition B
Salt Spray	MIL-STD-202, Method101, Condition B
Hermetic Seal	1*10 ⁻⁶ cc/sec helium at 1atm

Compliance Certifications (see [product page](#) for current document)

Plotted and Other Data

Notes:

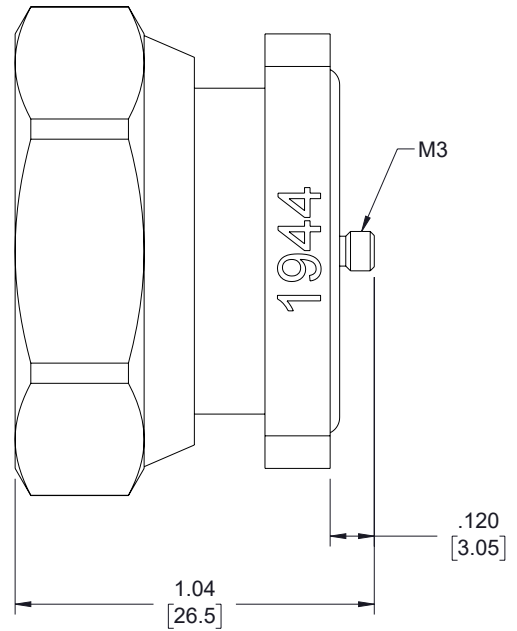
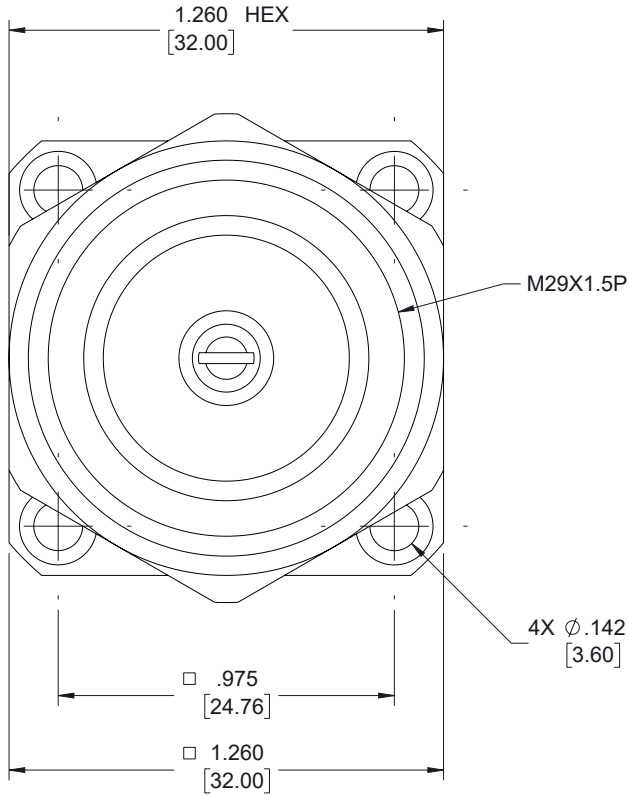
7/16 DIN Male Hermetically Sealed Connector Terminal Solder/Solder Attachment 4 Hole Flange from Fairview Microwave is in-stock and available to ship same-day. All of our RF/microwave products are available off-the-shelf from our ISO 9001:2008 certified facilities in Lewisville, Texas. Fairview Microwave is RF on-demand.

For additional information on this product, please click the following link: [7/16 DIN Male Hermetically Sealed Connector Terminal Solder/Solder Attachment 4 Hole Flange FMCN1944](#)

URL: <https://www.fairviewmicrowave.com/7-16-din-male-terminal-connector-fmcn1944-p.aspx>

The information contained in this document is accurate to the best of our knowledge and representative of the part described herein. It may be necessary to make modifications to the part and/or the documentation of the part, in order to implement improvements. Fairview Microwave reserves the right to make such changes as required. Unless otherwise stated, all specifications are nominal. Fairview Microwave does not make any representation or warranty regarding the suitability of the part described herein for any particular purpose, and Fairview Microwave does not assume any liability arising out of the use of any part or documentation.

REVISIONS			
REV.	DESCRIPTION	DATE	APPROVED
A	INITIAL RELEASE	12/12/2022	AGANWANI



THESE COMMODITIES, TECHNOLOGY OR SOFTWARE WERE EXPORTED FROM THE UNITED STATES IN ACCORDANCE WITH THE EXPORT ADMINISTRATION REGULATIONS. DIVERSION CONTRARY TO U.S. LAW PROHIBITED.

TITLE

UNLESS OTHERWISE SPECIFIED LEADING DIMENSIONS ARE INCHES
DIMENSIONS IN [] ARE MILLIMETERS

TOLERANCES: CABLE LENGTH (L) TOLERANCES:

.X = ±.2 [5.08]	FRACTIONS	L ≤ 12 [305] = +1 [25] / -0
.XX = ±.02 [.51]	± 1/32	12 [305] < L ≤ 60 [1524] = +2 [51] / -0
.XXX = ±.005 [.13]	ANGLES ± 1°	60 [1524] < L ≤ 120 [3048] = +4 [102] / -0
		120 [3048] < L ≤ 300 [7620] = +6 [152] / -0
		300 [7620] < L = +5%L / -0

THIRD-ANGLE PROJECTION



THE INFORMATION AND DESIGN IN THIS DOCUMENT IS THE PROPERTY OF FAIRVIEW MICROWAVE CORPORATION. ALL RIGHTS RESERVED.

SHEET 1 OF 1

ALL DIMENSIONS SHOWN ARE FOR REFERENCE ONLY.

SCALE N/A

SIZE A	CAGE CODE 3FKR5	DRAWN BY HBAKKE	ITEM NO. FMCN1944	REV A
-----------	--------------------	--------------------	----------------------	----------

T-Rev.D