

**RF PCB Connector, SSMB Jack Right Angle Connector  
Solder Attachment Thru Hole PCB, .100 inch x  
.031 inch Hole Spacing**

RA SSMB jack connector with solder attachment for thru hole PCB (.100 inch x .031 inch hole spacing), part number FMCN4341, from Fairview Microwave is in-stock and ships same day. Its right angle body geometry facilitates connections in tight spaces.

Fairview's RA SSMB jack connector FMCN4341 datasheet specifications and outline drawing are shown in this PDF below. Our extensive offering of RF, microwave and millimeter wave connectors allows designers to configure and customize their signal connections however they like. From providing an I/O for a board design to creating a custom cable assembly configuration, Fairview Microwave has a connector solution to meet your needs. Fairview Microwave also has the expertise to build your custom cable assemblies for you and ship them same-day.

**Mechanical Specifications**

<b>Size</b>	
Length	0.383 in [9.73 mm]
Width/Dia.	0.156 in [3.96 mm]
Height	0.383 in [9.73 mm]
Weight	0.003 lbs [1.36 g]

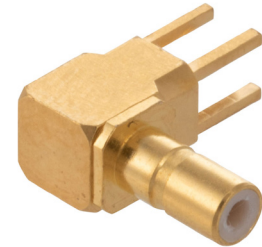
**Material Specifications**

Description	Material	Plating
Contact		Gold MIL-G-45204
Insulation	PTFE	
Body	Brass	Gold MIL-G-45204

**Compliance Certifications** (see [product page](#) for current document)

**Plotted and Other Data**

Notes:


**Configuration:**

- SSMB Jack Connector
- MIL-STD-348
- 50 Ohms
- Right Angle Body Geometry
- Thru Hole Interface Type
- Solder Attachment

**Features:**

- Gold Plated Contact
- Contact plating according to MIL-G-45204

**Applications:**

- General Purpose Test
- Space Saving for PCB Applications

Fairview Microwave  
301 Leora Ln., Suite 100  
Lewisville, TX 75056  
Tel: 1-800-715-4396 / (972) 649-6678  
Fax: (972) 649-6689  
[www.fairviewmicrowave.com](http://www.fairviewmicrowave.com)  
[sales@fairviewmicrowave.com](mailto:sales@fairviewmicrowave.com)

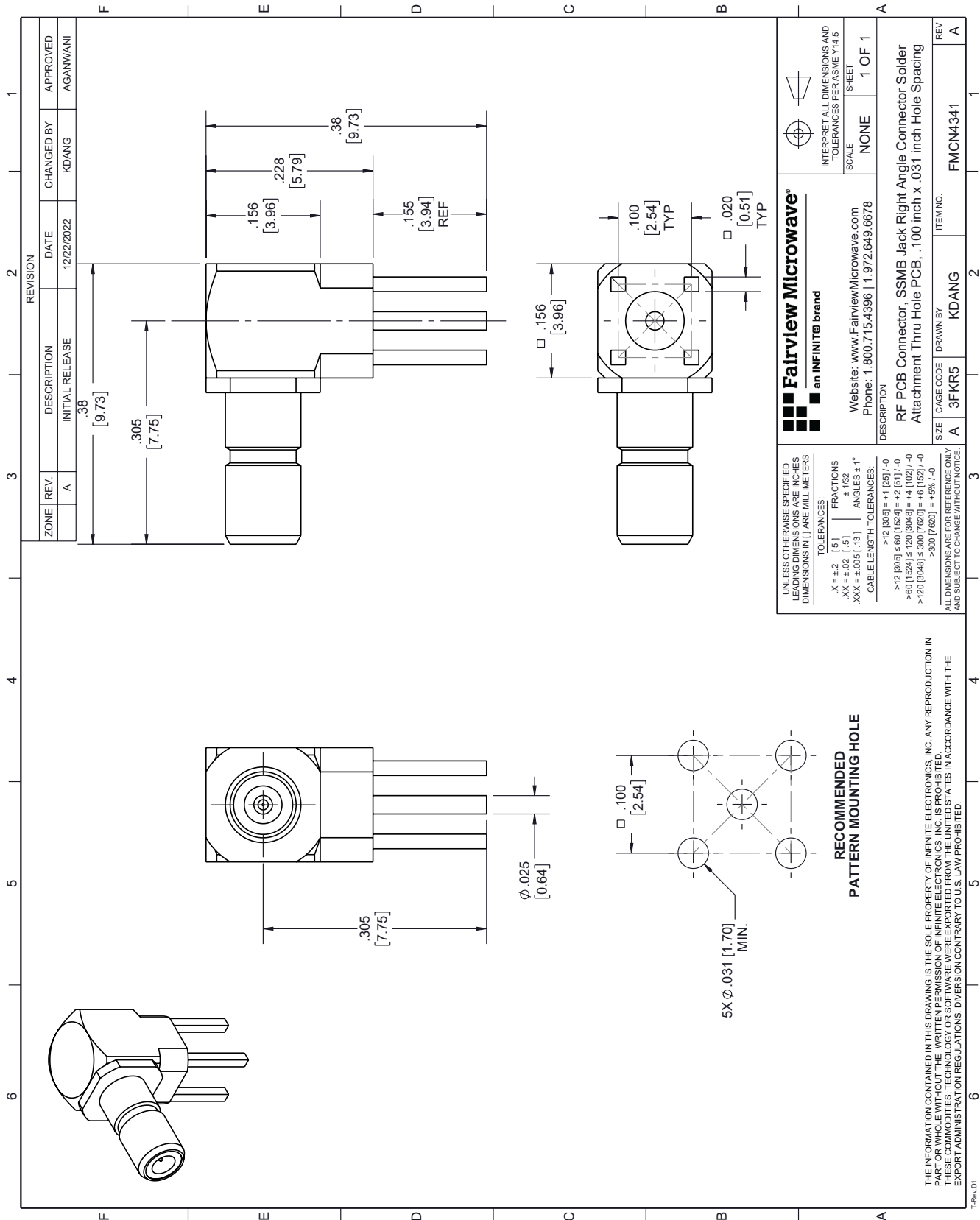
RF PCB Connector, SSMB Jack Right Angle Connector Solder Attachment Thru Hole PCB, .100 inch x .031 inch Hole Spacing from Fairview Microwave is in-stock and available to ship same-day. All of our RF/microwave products are available off-the-shelf from our ISO 9001:2008 certified facilities in Lewisville, Texas. Fairview Microwave is RF on-demand.

For additional information on this product, please click the following link: [RF PCB Connector, SSMB Jack Right Angle Connector Solder Attachment Thru Hole PCB, .100 inch x .031 inch Hole Spacing FMCN4341](#)

URL: <https://www.fairviewmicrowave.com/ssmb-jack-standard-thru-hole-pcb-connector-fmcn4341-p.aspx>

The information contained in this document is accurate to the best of our knowledge and representative of the part described herein. It may be necessary to make modifications to the part and/or the documentation of the part, in order to implement improvements. Fairview Microwave reserves the right to make such changes as required. Unless otherwise stated, all specifications are nominal. Fairview Microwave does not make any representation or warranty regarding the suitability of the part described herein for any particular purpose, and Fairview Microwave does not assume any liability arising out of the use of any part or documentation.





**Fairview Microwave<sup>®</sup>**  
an INFINIT<sup>®</sup> brand

Website: [www.FairviewMicrowave.com](http://www.FairviewMicrowave.com)  
Phone: 1.800.715.4396 | 1.972.649.6678

INTERPRET ALL DIMENSIONS AND TOLERANCES PER ASME Y14.5  
SCALE: NONE  
SHEET: 1 OF 1

DESCRIPTION: RF PCB Connector, SSMB Jack Right Angle Connector Solder Attachment Thru Hole PCB, .100 inch x .031 inch Hole Spacing

ITEM NO.: FMCN4341

SIZE: A  
CAGE CODE: 3FKR5  
DRAWN BY: KDANG