

## TNC Female Bulkhead Hermetically Sealed Connector Eyelet Terminal Solder Attachment , .350 inch D Hole

TNC female bulkhead hermetically sealed connector with solder attachment eyelet terminal (.350 inch D hole), part number FMCN4374, from Fairview Microwave is in-stock and ships same day. Fairview's FMCN4374 bulkhead TNC connector enables designers to make external connections on product enclosures, and can be used in a variety of other rack mount and panel mount applications.

Fairview's TNC female bulkhead connector FMCN4374 datasheet specifications and outline drawing are shown in this PDF below. Our extensive offering of RF, microwave and millimeter wave connectors allows designers to configure and customize their signal connections however they like. From providing an I/O for a board design to creating a custom cable assembly configuration, Fairview Microwave has a connector solution to meet your needs. Fairview Microwave also has the expertise to build your custom cable assemblies for you and ship them same-day.

### Mechanical Specifications

#### Size

Length	1.205 in [30.61 mm]
Width/Dia.	0.595 in [15.11 mm]
Height	0.595 in [15.11 mm]
Weight	0.025 lbs [11.34 g]

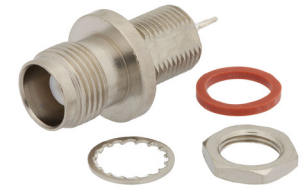
### Material Specifications

Description	Material	Plating
Contact		Silver QQ-S-365
Insulation	PTFE	
Body	Brass	Nickel QQ-N-290

**Compliance Certifications** (see [product page](#) for current document)

### Plotted and Other Data

Notes:



### Configuration:

- TNC Female Connector
- MIL-STD-348
- 50 Ohms
- Straight Body Geometry
- Eyelet Interface Type
- Solder Attachment
- Bulkhead

### Features:

- Hermetically Sealed
- Silver Plated Contact
- Contact plating according to QQ-S-365

### Applications:

- General Purpose Test
- Rack and Panel Mount Applications

Fairview Microwave  
301 Leora Ln., Suite 100  
Lewisville, TX 75056  
Tel: 1-800-715-4396 / (972) 649-6678  
Fax: (972) 649-6689  
[www.fairviewmicrowave.com](http://www.fairviewmicrowave.com)  
[sales@fairviewmicrowave.com](mailto:sales@fairviewmicrowave.com)

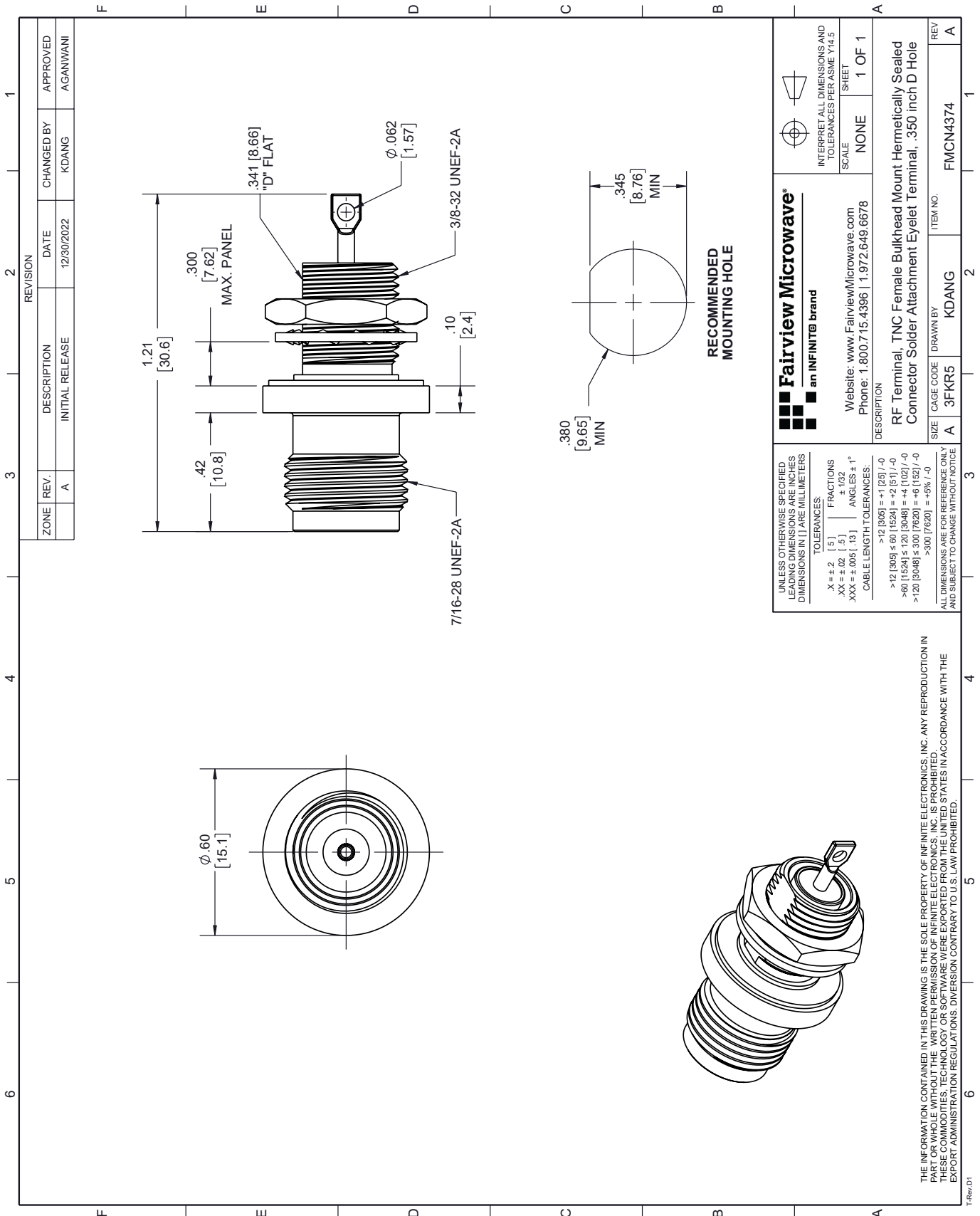
TNC Female Bulkhead Hermetically Sealed Connector Eyelet Terminal Solder Attachment , .350 inch D Hole from Fairview Microwave is in-stock and available to ship same-day. All of our RF/microwave products are available off-the-shelf from our ISO 9001:2008 certified facilities in Lewisville, Texas. Fairview Microwave is RF on-demand.

For additional information on this product, please click the following link: [TNC Female Bulkhead Hermetically Sealed Connector Eyelet Terminal Solder Attachment , .350 inch D Hole FMCN4374](#)

URL: <https://www.fairviewmicrowave.com/tnc-female-eyelet-terminal-connector-fmcn4374-p.aspx>

The information contained in this document is accurate to the best of our knowledge and representative of the part described herein. It may be necessary to make modifications to the part and/or the documentation of the part, in order to implement improvements. Fairview Microwave reserves the right to make such changes as required. Unless otherwise stated, all specifications are nominal. Fairview Microwave does not make any representation or warranty regarding the suitability of the part described herein for any particular purpose, and Fairview Microwave does not assume any liability arising out of the use of any part or documentation.





ZONE		REVISION		APPROVED	
REV.	DESCRIPTION	DATE	CHANGED BY		
A	INITIAL RELEASE	12/30/2022	KDANG	AGANWANI	

 <b>Fairview Microwave</b> an INFINIT <sup>®</sup> brand Website: <a href="http://www.FairviewMicrowave.com">www.FairviewMicrowave.com</a> Phone: 1.800.715.4396   1.972.649.6678		 INTERPRET ALL DIMENSIONS AND TOLERANCES PER ASME Y14.5 SCALE: NONE SHEET: 1 OF 1
DESCRIPTION: <b>RF Terminal, TNC Female Bulkhead Mount Hermetically Sealed Connector Solder Attachment Eyelet Terminal, .350 inch D Hole</b>		
SIZE	CAGE CODE	ITEM NO.
A	3FKR5	FMCN4374
DRAWN BY		REV
KDANG		A

UNLESS OTHERWISE SPECIFIED, LEADING DIMENSIONS ARE INCHES DIMENSIONS IN [ ] ARE MILLIMETERS

TOLERANCES:

.X = ±.2	[.5]	FRACTIONS
.XX = ±.02	[.5]	±.132
.XXX = ±.005	[.13]	ANGLES ± 1°

CABLE LENGTH TOLERANCES:

>12 [305]	= +1 [25] / -0
>12 [305] ≤ 60 [1524]	= +2 [51] / -0
>60 [1524] ≤ 120 [3048]	= +4 [102] / -0
>120 [3048] ≤ 300 [7620]	= +6 [152] / -0
>300 [7620]	= +5% / -0

ALL DIMENSIONS ARE FOR REFERENCE ONLY AND SUBJECT TO CHANGE WITHOUT NOTICE

THE INFORMATION CONTAINED IN THIS DRAWING IS THE SOLE PROPERTY OF INFINITE ELECTRONICS, INC. ANY REPRODUCTION IN PART OR WHOLE WITHOUT THE WRITTEN PERMISSION OF INFINITE ELECTRONICS, INC. IS PROHIBITED. THESE COMMODITIES, TECHNOLOGY OR SOFTWARE WERE EXPORTED FROM THE UNITED STATES IN ACCORDANCE WITH THE EXPORT ADMINISTRATION REGULATIONS. DIVERSION CONTRARY TO U.S. LAW PROHIBITED.