

SMP Male Full Detent Connector Pin Terminal Solder Attachment Thread-In .065 inch Pin Length Pre-Tinned

SMP male full detent thread-in mount connector with solder attachment pin terminal, part number FMCN4399, from Fairview Microwave is in-stock and ships same day. This blind mate connector is ideal for applications without direct visual or tactile access to the connection point, for example, when two circuit boards need to be mated.

Fairview's SMP male thread-in connector FMCN4399 datasheet specifications and outline drawing are shown in this PDF below. Our extensive offering of RF, microwave and millimeter wave connectors allows designers to configure and customize their signal connections however they like. From providing an I/O for a board design to creating a custom cable assembly configuration, Fairview Microwave has a connector solution to meet your needs. Fairview Microwave also has the expertise to build your custom cable assemblies for you and ship them same-day.

Mechanical Specifications

Size

Length	0.297 in [7.54 mm]
Width/Dia.	0.19 in [4.83 mm]
Height	0.19 in [4.83 mm]
Weight	0.001 lbs [0.45 g]

Material Specifications

Description	Material	Plating
Contact	Beryllium Copper	Gold MIL-G-45204
Insulation	PTFE	
Body	Passivated Stainless Steel	AMS-QQ-P-35

Environmental Specifications

Temperature

Operating Range	-55 to +125 deg C
-----------------	-------------------

Compliance Certifications (see [product page](#) for current document)

Plotted and Other Data

Notes:



Configuration:

- Full Detent SMP Male Connector
- MIL-STD-348
- 50 Ohms
- Straight Body Geometry
- Pin Interface Type
- Solder Attachment
- Thread-In

Features:

- Blind Mate Connector
- Gold Plated Beryllium Copper Contact
- Contact plating according to MIL-G-45204

Applications:

- General Purpose Test

Fairview Microwave
 301 Leora Ln., Suite 100
 Lewisville, TX 75056
 Tel: 1-800-715-4396 / (972) 649-6678
 Fax: (972) 649-6689
www.fairviewmicrowave.com
sales@fairviewmicrowave.com

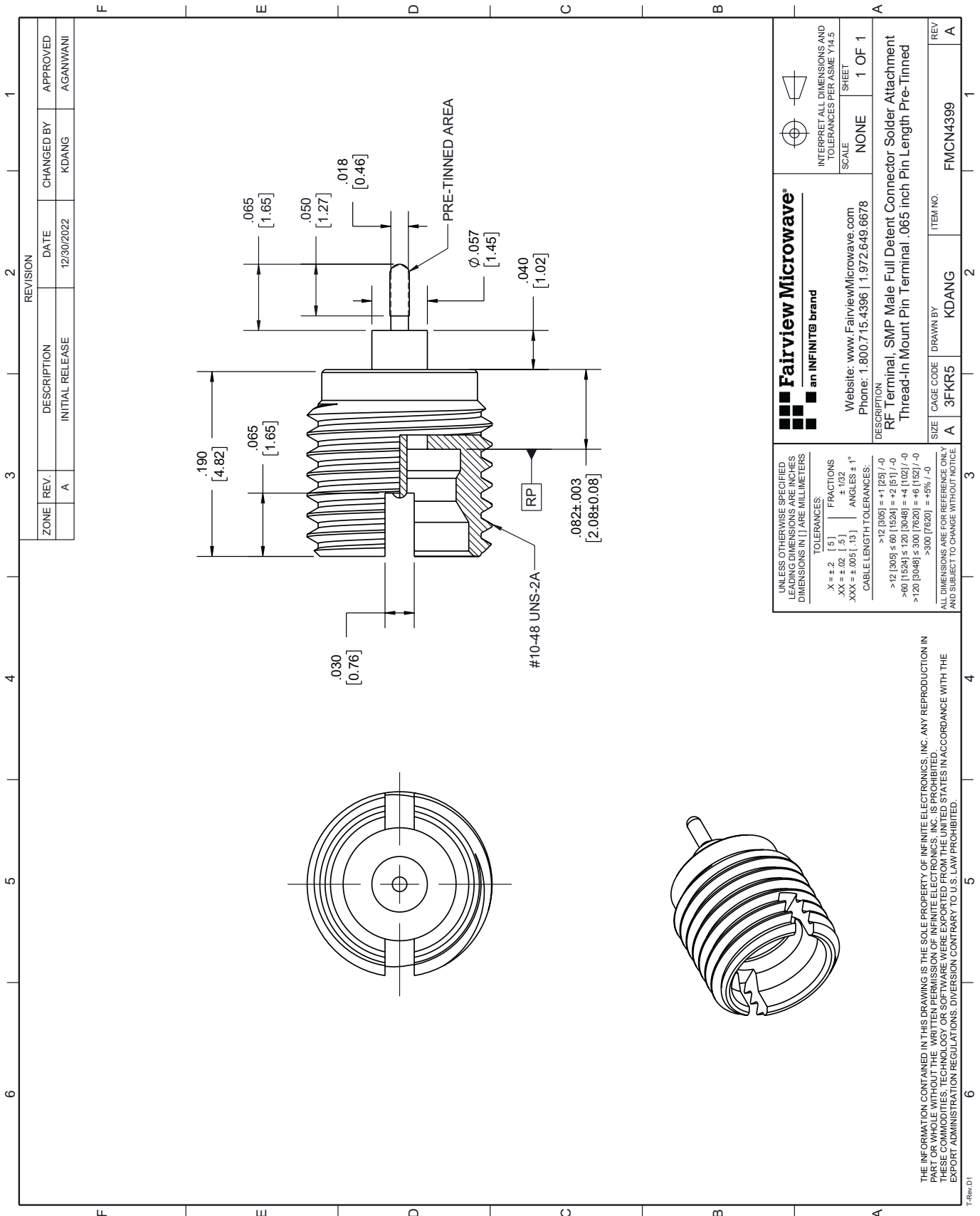
SMP Male Full Detent Connector Pin Terminal Solder Attachment Thread-In .065 inch Pin Length Pre-Tinned from Fairview Microwave is in-stock and available to ship same-day. All of our RF/microwave products are available off-the-shelf from our ISO 9001:2008 certified facilities in Lewisville, Texas. Fairview Microwave is RF on-demand.

For additional information on this product, please click the following link: [SMP Male Full Detent Connector Pin Terminal Solder Attachment Thread-In .065 inch Pin Length Pre-Tinned FMCN4399](#)

URL: <https://www.fairviewmicrowave.com/smp-male-full-detent-pin-terminal-connector-fmcn4399-p.aspx>

The information contained in this document is accurate to the best of our knowledge and representative of the part described herein. It may be necessary to make modifications to the part and/or the documentation of the part, in order to implement improvements. Fairview Microwave reserves the right to make such changes as required. Unless otherwise stated, all specifications are nominal. Fairview Microwave does not make any representation or warranty regarding the suitability of the part described herein for any particular purpose, and Fairview Microwave does not assume any liability arising out of the use of any part or documentation.





REVISION		DATE	CHANGED BY	APPROVED
ZONE	REV.	DESCRIPTION	INITIAL RELEASE	
	A			AGANWANI

 Fairview Microwave an INFINIT [®] brand		 INTERPRET ALL DIMENSIONS AND TOLERANCES PER ASME Y14.5 SHEET	
Website: www.FairviewMicrowave.com Phone: 1.800.715.4396 1.972.649.6678		SCALE	NONE
DESCRIPTION RF Terminal, SMP Male Full Detent Connector Solder Attachment Thread-In Mount Pin Terminal .065 inch Pin Length Pre-Tinned		SHEET	1 OF 1
SIZE	A	CAGE CODE	3FKR5
ITEM NO.	DRAWN BY		KDANG
REV	FMCN4399		A

UNLESS OTHERWISE SPECIFIED, LEADING DIMENSIONS ARE INCHES DIMENSIONS IN [] ARE MILLIMETERS

TOLERANCES:

FRACTIONS
 .X = ±.2 [5]
 .XX = ±.02 [.5]
 .XXX = ±.005 [.13]

ANGLES ± 1°

CABLE LENGTH TOLERANCES:

>12 [305] = +1 [25] / -0
 >60 [1524] ≤ 60 [1524] = +2 [51] / -0
 >60 [1524] ≤ 120 [3048] = +4 [102] / -0
 >120 [3048] ≤ 300 [7620] = +6 [152] / -0
 >300 [7620] = +5% / -0

ALL DIMENSIONS ARE FOR REFERENCE ONLY AND SUBJECT TO CHANGE WITHOUT NOTICE

THE INFORMATION CONTAINED IN THIS DRAWING IS THE SOLE PROPERTY OF INFINITE ELECTRONICS, INC. ANY REPRODUCTION IN PART OR WHOLE WITHOUT THE WRITTEN PERMISSION OF INFINITE ELECTRONICS, INC. IS PROHIBITED. THESE COMMODITIES, TECHNOLOGY OR SOFTWARE WERE EXPORTED FROM THE UNITED STATES IN ACCORDANCE WITH THE EXPORT ADMINISTRATION REGULATIONS. DIVERSION CONTRARY TO U.S. LAW PROHIBITED.